



PARTS MANUAL

00. MAINTENANCE FILTERS KIT

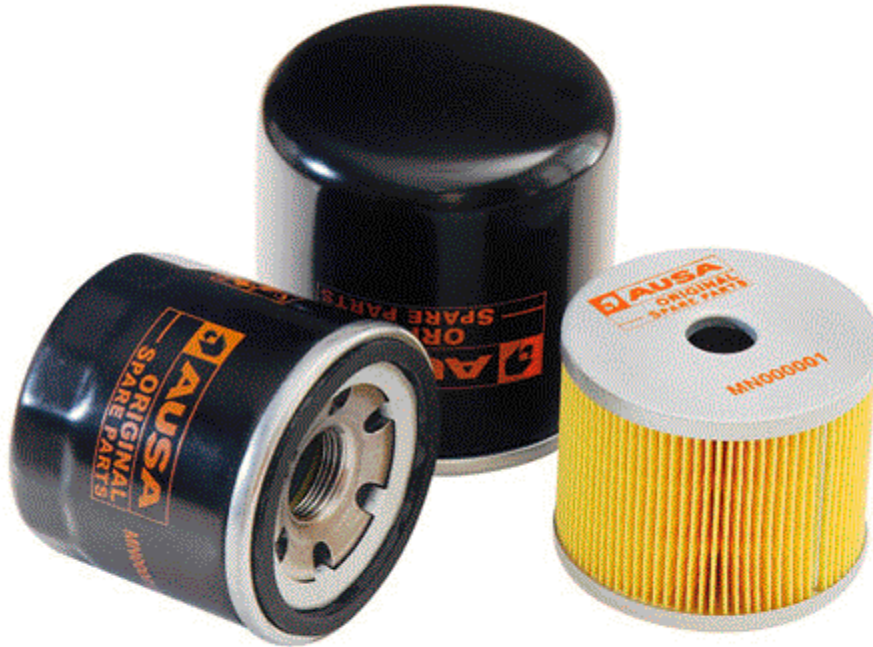


FIGURE	REFERENCE	DENOMINATION	AMOUNT
001	KF.71200RE00	D 85-100-120-150 AHA-AHG FILTERS KIT	1
001.1	MN000027	OIL FILTER, CARTRIDGE	1
001.2	DN000002	FUEL FILTER CARTRIDGE (400h)	1
001.3	MN000034	AIR FILTER ELEMENT	1
001.4	70.10048.00	OIL FILTER CARTRIDGE (1000h+50h)	1
001.5	MN000017	PRE-FILTER, FUEL (200h+50h)	1
002	09.00630.61	OIL FILTER ASP. 25 L/MIN	1

02. ENGINE MOTOR

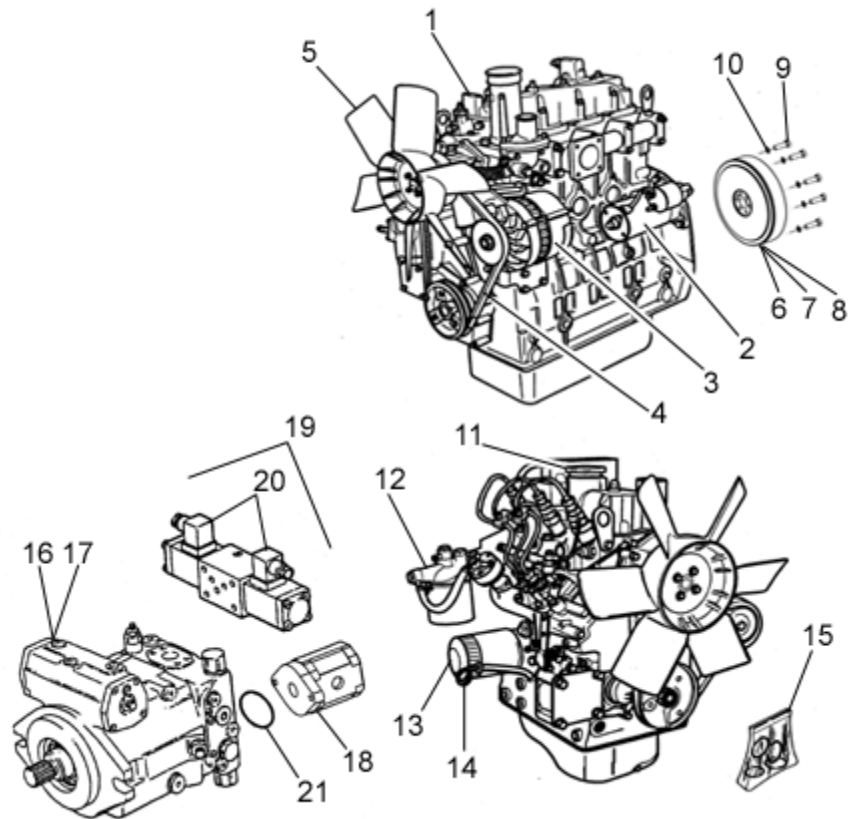


FIGURE	REFERENCE	DENOMINATION	AMOUNT
001	09.02120.00	ENGINE DIESEL	1
002	PK185086610	STARTER ENGINE	1
003	PK185046220	ALTERNATOR	1
004	PK080109049	BELT	1
005	PK145306460	FAN	1
006	63.01003.00	COUPLING CYL/CYL	1
007	70.02090RE00	COUPLING CYL/CYL	1
008	70.02091.00	COUPLING DEN/DEN	1
009	604.10030.86	SCREW DIN931	8
010	104.10000.00	WASHER DIN7980 D10	8
011	PK198436010	OIL FULL CUP	1
012	PK26561117	FUEL FILTER	1
013	PK140516990	OIL FILTER	1
014	PK198416740	OIL LEVEL BAR	1
015	PK195907080	JOINTS SET	1
016	70.03601.00	HYDR. PUMP 28CC.320B (85/100)	1

017	70.03602.00	BOMBA HIDR. 45CC (120)	1
018	70.10010.00	HYDR. PUMP	1

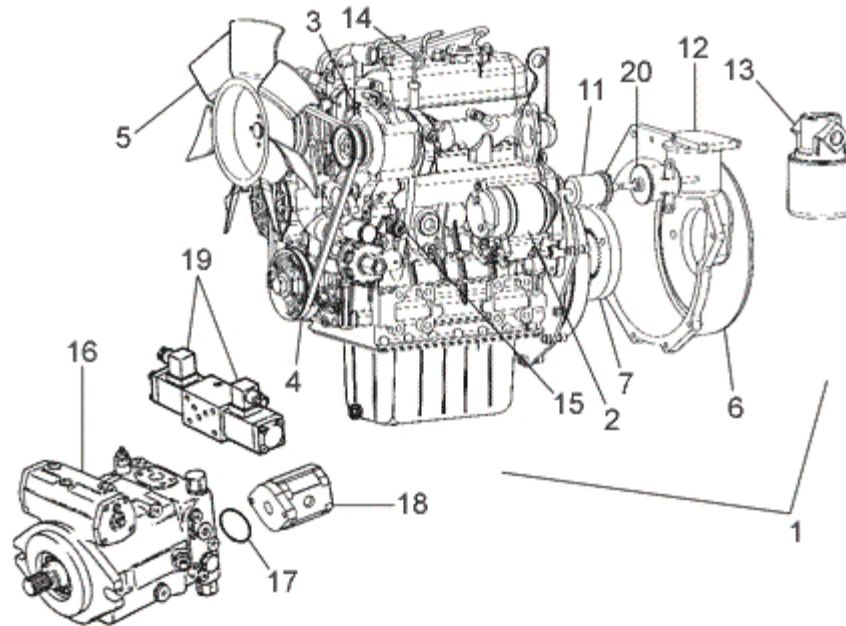
02. ENGINE MOTOR

FIGURE	REFERENCE	DENOMINATION	AMOUNT
021	201.08218.50	O-RING DIN3770 82,27x85,83x1,78	1

02. ENGINE

MOTOR

CHASSIS: 41571



16 A para / for D85-D100 AHG-AHA
16 B para / for D120 AHG-AHA

FIGURE	REFERENCE	DENOMINATION	AMOUNT
001	70.02200.00	DIESEL ENGINE KUBOTA D1105	1
002	KU1661163013	STARTER ASSY	1
003	KU1624164011	NUT DIN982 M18	1
004	KU1624197011	BELT	1
005	KU1623974112	FAN	1
006	12.02093.00	COUPLING D102XD276X100	1
007	70.02091.00	COUPLING DEN/DEN	1
011	MN000017	PRE-FILTER, FUEL (200h+50h)	1
012	DN000002	FUEL FILTER CARTRIDGE (400h)	1
014	KU1661136413	GAUGE, OIL	1
015	KU1584139010	SWITCH, OIL	1
016A	70.03601.00	HYDR. PUMP 28CC.320B (85/100)	1
016B	70.03605.00	HYDROSTATIC PUMP 45CC 320B HYDROMATIC	1
017	201.08218.50	O-RING DIN3770 82,27x85,83x1,78	1
018	70.10010.00	HYDR. PUMP	1
019	RX.30005.00	SPOOL	2



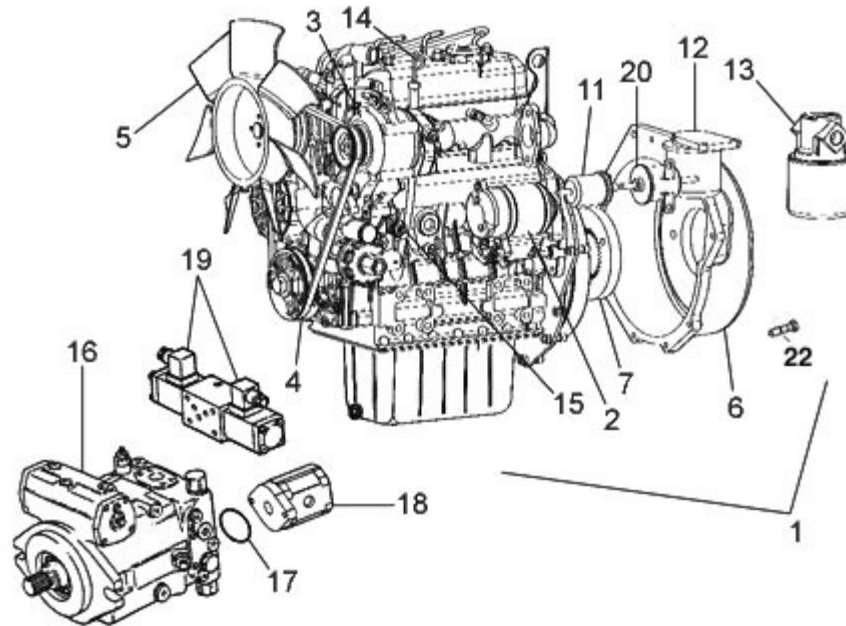
020 KU1G63952031 ELECTRIC PUMP

1

02. ENGINE

MOTOR

CHASSIS: 61317



16 A para / for D85-D100 AHG-AHA
16 B para / for D120 AHG-AHA

FIGURE	REFERENCE	DENOMINATION	AMOUNT
001	70.02200.00	DIESEL ENGINE KUBOTA D1105	1
002	KU1661163013	STARTER ASSY	1
003	KU1624164011	NUT DIN982 M18	1
004	KU1624197011	BELT	1
005	KU1623974112	FAN	1
006	12.02093.00	COUPLING D102XD276X100	1
007	70.02091.00	COUPLING DEN/DEN	1
011	MN000017	PRE-FILTER, FUEL (200h+50h)	1
012	DN000002	FUEL FILTER CARTRIDGE (400h)	1
014	KU1661136413	GAUGE, OIL	1
015	KU1584139010	SWITCH, OIL	1
016A	70.03601.00	HYDR. PUMP 28CC.320B (85/100)	1
016B	70.03605.00	HYDROSTATIC PUMP 45CC 320B HYDROMATIC	1
017	201.08218.50	O-RING DIN3770 82,27x85,83x1,78	1
018	70.10010.00	HYDR. PUMP	1
019	RX.30005.00	SPOOL	2



020	KU1G63952031	ELECTRIC PUMP	1
022	12.02093.99	WASHER DIN125	1

02. ENGINE

MOTOR

CHASSIS: 62328

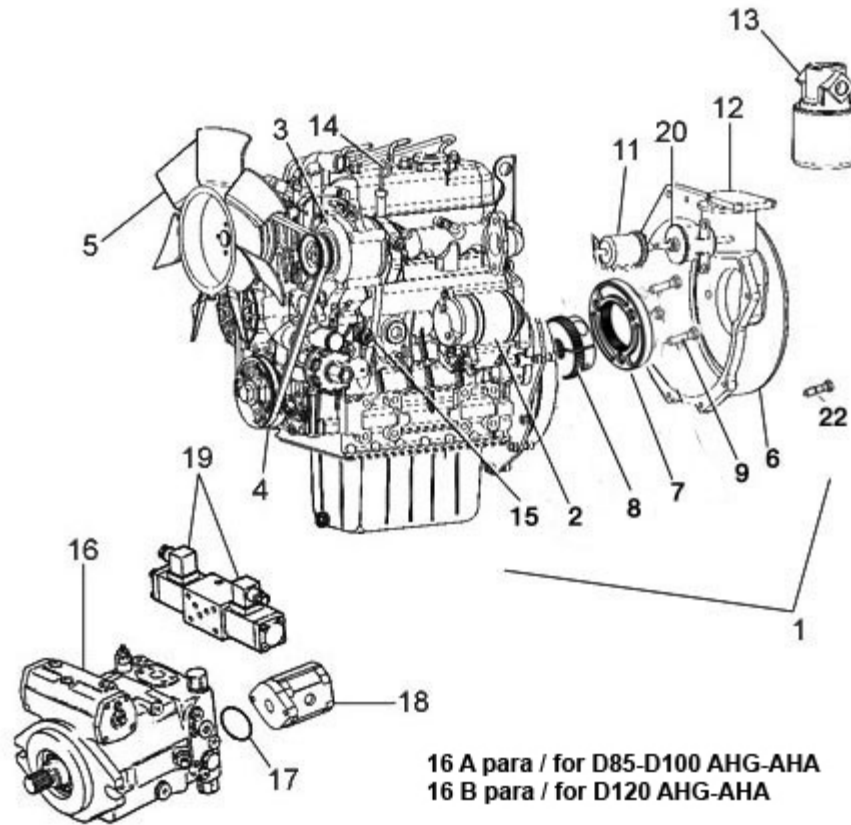


FIGURE	REFERENCE	DENOMINATION	AMOUNT
001	70.02200.00	DIESEL ENGINE KUBOTA D1105	1
002	KU1661163013	STARTER ASSY	1
003	KU1624164011	NUT DIN982 M18	1
004	KU1624197011	BELT	1
005	KU1623974112	FAN	1
006	12.02093.00	COUPLING D102XD276X100	1
007	70.02090.01	COUPLING CYL D135 Z50	1
008	70.02091.01	COUPLING GEA/GEA Z50XZ15X37	1
009	633.10030.86	SCREW DIN912 M10x1.25x30	3
011	MN000017	PRE-FILTER, FUEL (200h+50h)	1
012	DN000002	FUEL FILTER CARTRIDGE (400h)	1
014	KU1661136413	GAUGE, OIL	1
015	KU1584139010	SWITCH, OIL	1
016A	70.03601.00	HYDR. PUMP 28CC.320B (85/100)	1
016B	70.03605.00	HYDROSTATIC PUMP 45CC 320B HYDROMATIC	1
017	201.08218.50	O-RING DIN3770 82,27x85,83x1,78	1



018	70.10010.00	HYDR. PUMP	1
019	RX.30005.00	SPOOL	2
020	KU1G63952031	ELECTRIC PUMP	1
022	12.02093.99	WASHER DIN125	1

02. ENGINE

MOTOR

CHASSIS: 64671

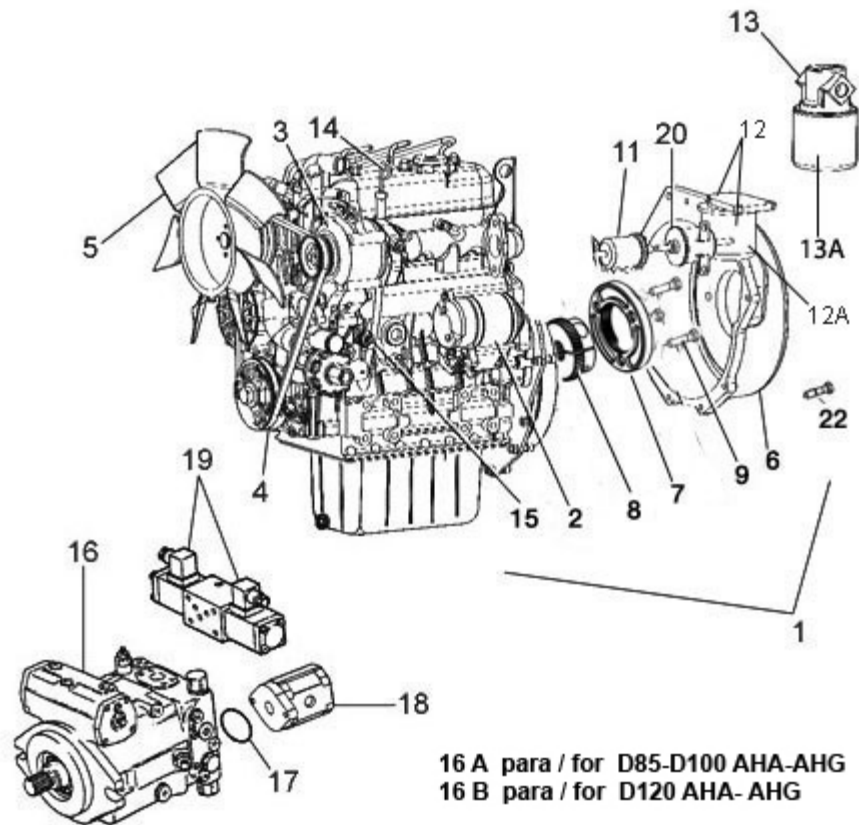


FIGURE	REFERENCE	DENOMINATION	AMOUNT
001	70.02200.00	DIESEL ENGINE KUBOTA D1105	1
002	KU1661163013	STARTER ASSY	1
003	KU1624164011	NUT DIN982 M18	1
004	KU1624197011	BELT	1
005	KU1623974112	FAN	1
006	12.02093.00	COUPLING D102XD276X100	1
007	70.02090.01	COUPLING CYL D135 Z50	1
008	70.02091.01	COUPLING GEA/GEA Z50XZ15X37	1
009	633.10030.86	SCREW DIN912 M10x1.25x30	3
011	MN000017	PRE-FILTER, FUEL (200h+50h)	1
012A	DN000002	FUEL FILTER CARTRIDGE (400h)	1
012A	KU1522443010	DIESEL FILTER + SUPPORT	1
013	KU1641432432	OIL FILTER KIT	1
013A	70.10048.00	OIL FILTER CARTRIDGE (1000h+50h)	1
014	KU1661136413	GAUGE, OIL	1
015	KU1584139010	SWITCH, OIL	1

016A	70.03601.00	HYDR. PUMP 28CC.320B (85/100)	1
016B	70.03605.00	HYDROSTATIC PUMP 45CC 320B HYDROMATIC	1
017	201.08218.50	O-RING DIN3770 82,27x85,83x1,78	1
018	70.10010.00	HYDR. PUMP	1
019	RX.30005.00	SPOOL	2
020	KU1G63952031	ELECTRIC PUMP	1
022	12.02093.98	SCREW. M8X33	1

02. ENGINE

MOTOR

CHASSIS: 80578

00. MOTOR KUBOTA D1105 17.5kW KUBOTA ENGINE D1105 17.5kW

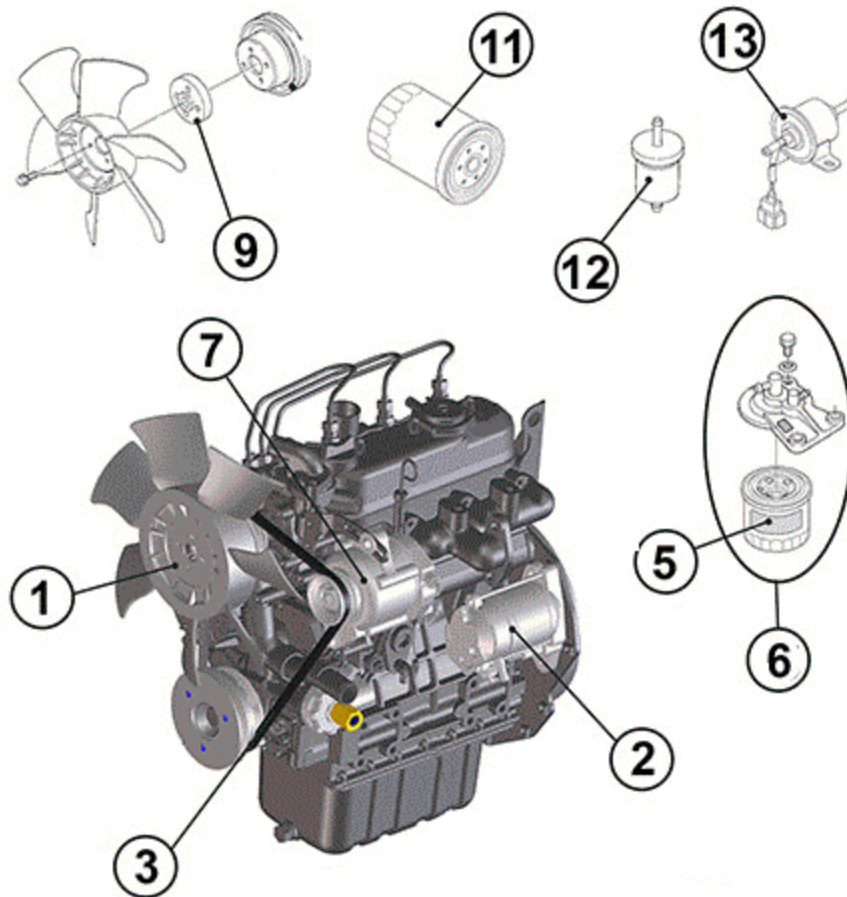


FIGURE	REFERENCE	DENOMINATION	AMOUNT
000	70.02200.01	DIESEL ENGINE 17.5KW KUBOTA	1
001	KU1623974112	FAN	1
002	KU1661163013	STARTER ASSY	1
003	KU1624197013	BELT	1
005	DN000002	FUEL FILTER CARTRIDGE (400h)	1
006	KU1522443010	DIESEL FILTER + SUPPORT	1
007	KU1624164015	ALTERNATOR	1
009	KU1587674152	COLLAR, FAN	1
011	MN000027	OIL FILTER, CARTRIDGE	1
012	KU.10034.00	FILTER FUEL	1



013

KU1G63952031

ELECTRIC PUMP

1

02. ENGINE

PUMP COUPLING

16A - D 85/100 AHA/AHG

16B - D 120 AHA/AHG

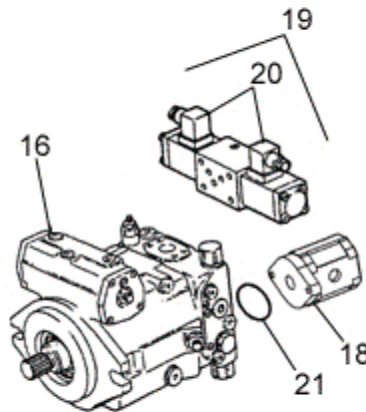


FIGURE	REFERENCE	DENOMINATION	AMOUNT
016A	70.03601.00	HYDR. PUMP 28CC.320B (85/100)	1
016B	70.03602.00	BOMBA HIDR. 45CC (120)	1
018	70.10010.00	HYDR. PUMP	1
021	201.08218.50	O-RING DIN3770 82,27x85,83x1,78	1

02. ENGINE

PUMP COUPLING

CHASSIS: 41571

16A - D 85/100 AHA/AHG

16B - D 120 AHA/AHG

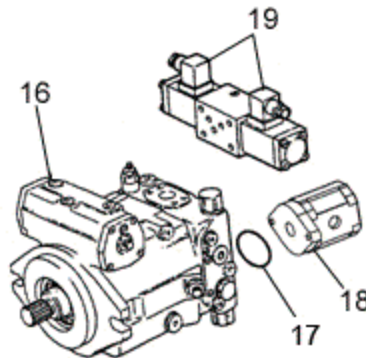


FIGURE	REFERENCE	DENOMINATION	AMOUNT
016A	70.03601.00	HYDR. PUMP 28CC.320B (85/100)	1
016B	70.03605.00	HYDROSTATIC PUMP 45CC 320B HYDROMATIC	1
017	201.08218.50	O-RING DIN3770 82,27x85,83x1,78	1
018	70.10010.00	HYDR. PUMP	1
019	RX.30005.00	SPOOL	2

02. ENGINE

PUMP COUPLING

CHASSIS: 80578

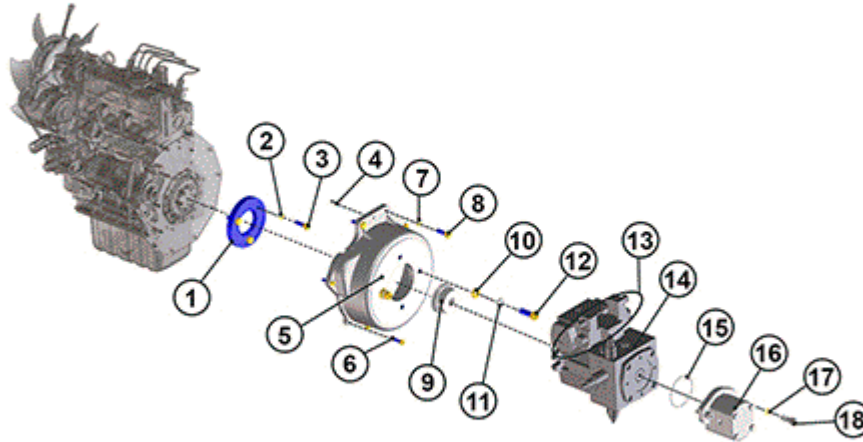


FIGURE	REFERENCE	DENOMINATION	AMOUNT
001	70.02090.00	COUPLING CIL/DEN D135	1
002	105.10000.66	WASHER DIN7980 D10	3
003	604.10035.86	SCREW DIN931	3
004	402.08020.00	PIN DIN1481 8x20	1
005	12.02093.00	COUPLING D102XD276X100	1
006	601.08030.86	SCREW DIN912 M8x30	6
007	105.10000.66	WASHER DIN7980 D10	2
008	617.10035.86	SCREW DIN960 M10x1.25x35	2
009	70.02091.00	COUPLING DEN/DEN	1
010	15.30110.00	WASHER 14X7X26	2
011	105.14000.66	D14 WASHER DIN7980	2
012	601.14040.86	HEXAGON SOCKET HEAD SCREW DIN912 M14x40	2
013	RX.30005.00	SPOOL	1
014	70.03605.00	HYDROSTATIC PUMP 45CC 320B HYDROMATIC	1
015	201.08218.50	O-RING DIN3770 82,27x85,83x1,78	1



016	70.10010.00	HYDR. PUMP	1
017	105.10000.66	WASHER DIN7980 D10	2
018	601.12030.86	SCREW DIN912	2

02. ENGINE EXHAUST PIPE

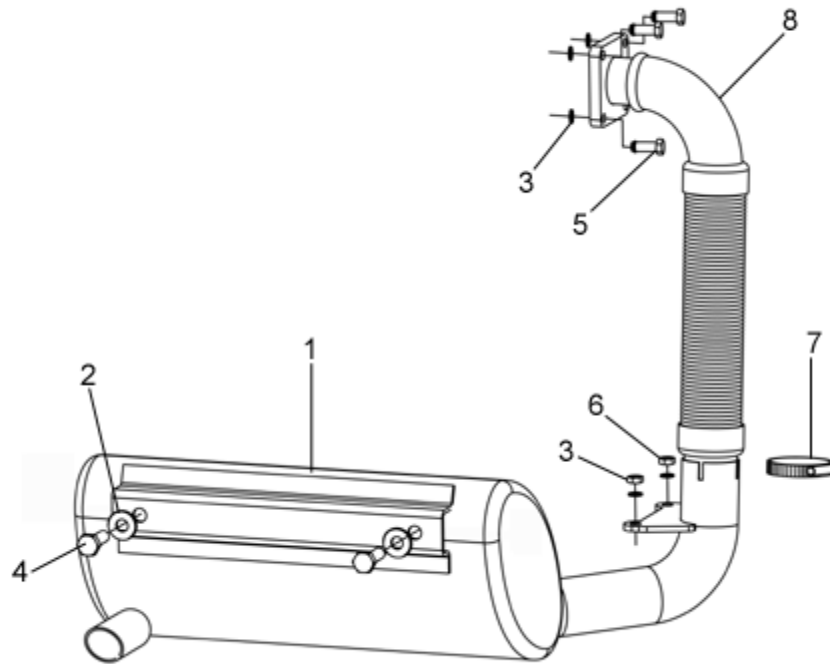


FIGURE	REFERENCE	DENOMINATION	AMOUNT
001	70.02072.00	MUFFLER	1
002	112.10000.66	WASHER DIN9021 D10	2
003	104.08000.00	WASHER DIN7980 D8	6
004	603.10035.86	SCREW DIN933 M10x35	2
005	603.08025.86	SCREW DIN933 M8x25	4
006	701.08000.66	NUT DIN934 M8x1,25	2
007	935.44047.66	CLAMP MIKALOR SUPER 44-47	1
008	70.02073.00	PERKINS EXHAUST	1

02. ENGINE

EXHAUST PIPE

CHASSIS: 41571

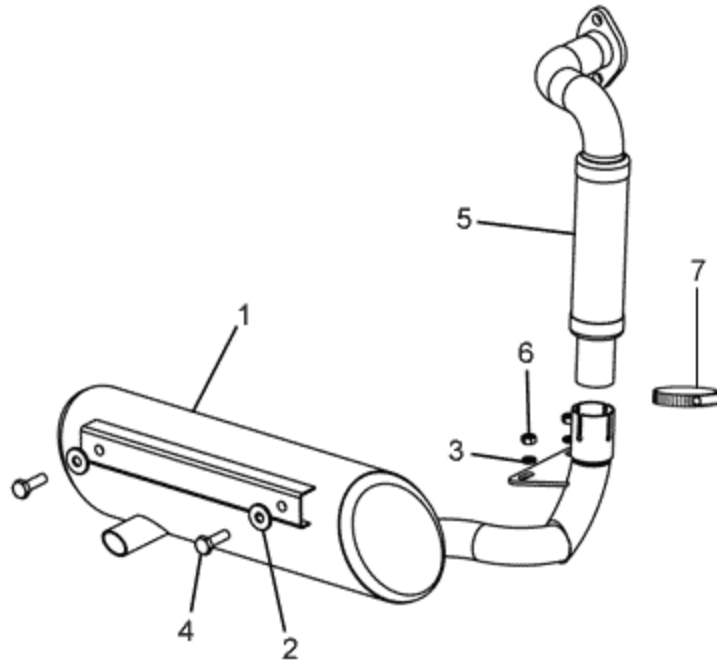


FIGURE	REFERENCE	DENOMINATION	AMOUNT
001	70.02072.00	MUFFLER	1
002	112.10000.66	WASHER DIN9021 D10	2
003	104.08000.00	WASHER DIN7980 D8	2
004	603.10035.86	SCREW DIN933 M10x35	2
005	70.02074.00	KUBOTA ENGINE EXHAUST PIPE	1
006	701.08000.66	NUT DIN934 M8x1,25	2
007	935.44047.66	CLAMP MIKALOR SUPER 44-47	1

02. ENGINE

EXHAUST PIPE

CHASSIS: 54768

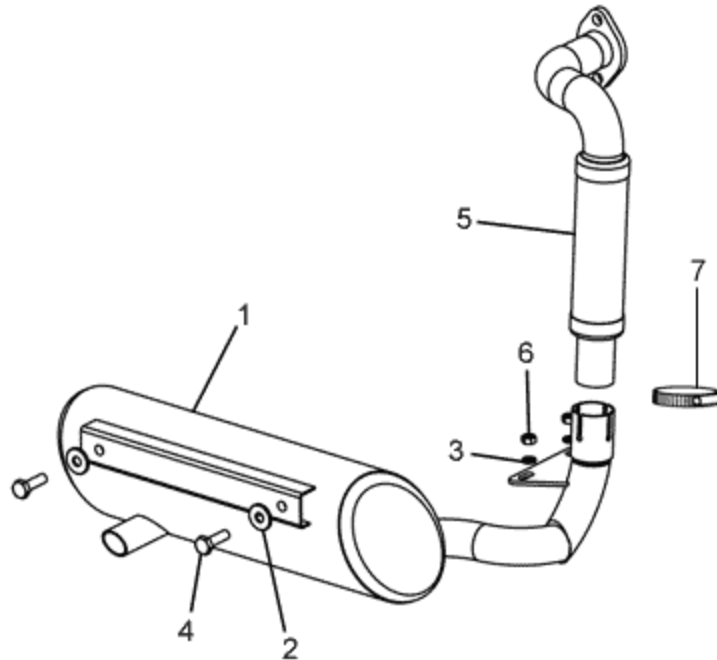


FIGURE	REFERENCE	DENOMINATION	AMOUNT
001	70.02072.00	MUFFLER	1
002	112.10000.66	WASHER DIN9021 D10	2
003	104.08000.00	WASHER DIN7980 D8	2
004	603.10035.86	SCREW DIN933 M10x35	2
005	70.02074.00	KUBOTA ENGINE EXHAUST PIPE	1
006	701.08000.66	NUT DIN934 M8x1,25	2
007	928.45000.66	HOSE CLAMP Ø45	1

02. ENGINE

AIR FILTER

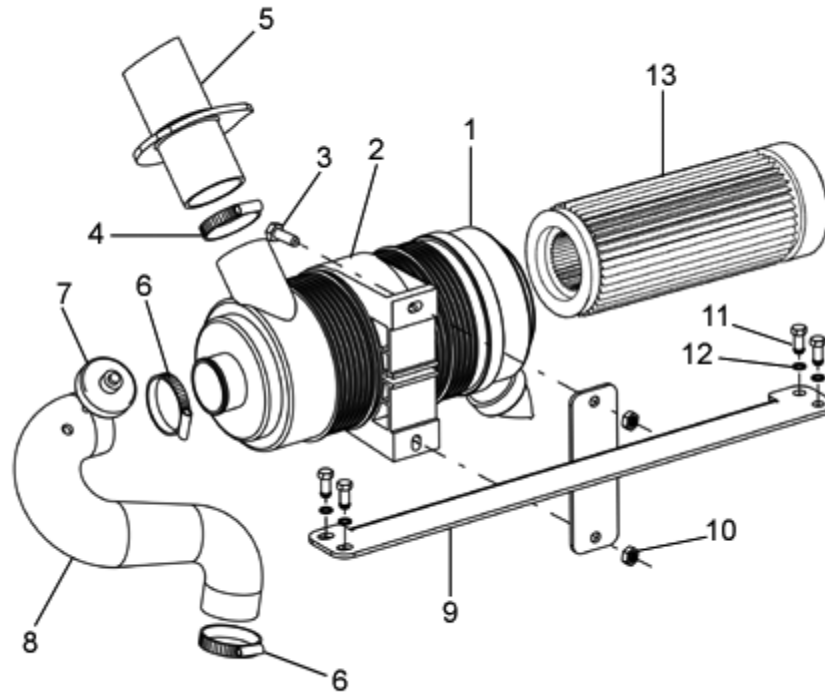


FIGURE	REFERENCE	DENOMINATION	AMOUNT
001	45.01200.10	AIR FILTER D	1
002	45.01201.11	CLAMP Ø146x50.5 AIR FILTER	1
003	630.08030.96	BOLT ISO7380 M8x30	2
004	912.40060.66	CLAMP D40-60	1
005	70.02067.00	ADMISSION TUBE	1
006	912.60000.66	HOSE CLAMP Ø60-64	2
007	43.50119.00	AIR FILTER INDICATOR	1
008	70.02046.00	ADMISSION TUBE 50x60x160x239	1
009	70.02045.00	ANG. SUPPORT	1
010	701.08000.66	NUT DIN934 M8x1,25	2
011	603.10015.86	SCREW DIN933	4
012	104.10000.00	WASHER DIN7980 D10	4
013	45.01204.00	FILTER ELEMENT 60x105x300 (500H)	1

02. ENGINE

AIR FILTER

CHASSIS: 69253

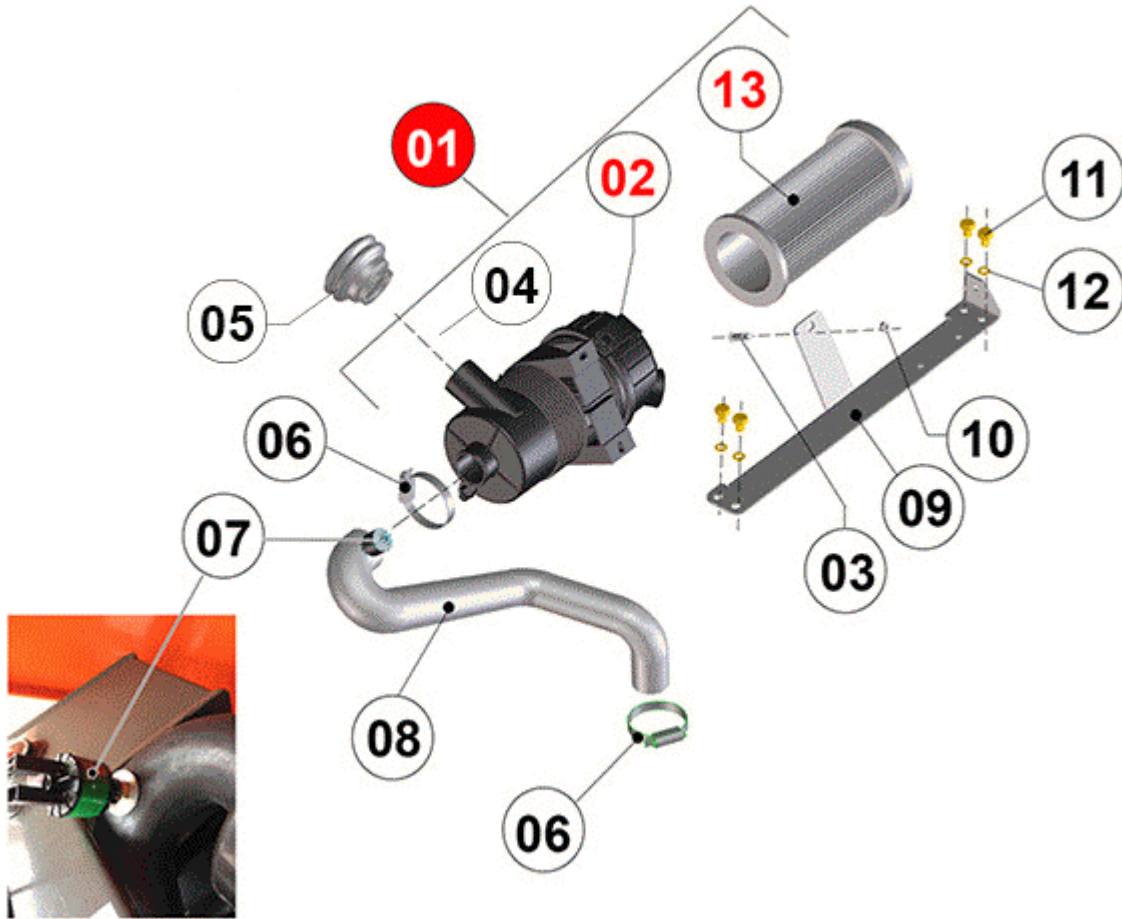


FIGURE	REFERENCE	DENOMINATION	AMOUNT
001	45.01200.12	AIR FILTER VIRGIS	1
002	45.01201.12	CLAMP	1
003	630.08030.96	BOLT ISO7380 M8x30	2
004	912.40060.66	CLAMP D40-60	1
005	70.02067.00	ADMISSION TUBE	1
006	912.60000.66	HOSE CLAMP Ø60-64	2
007	43.50119.00	AIR FILTER INDICATOR	1
008	70.02046.00	ADMISSION TUBE 50x60x160x239	1
009	70.02045.00	ANG. SUPPORT	1
010	701.08000.66	NUT DIN934 M8x1,25	2
011	603.10015.86	SCREW DIN933	4
012	104.10000.00	WASHER DIN7980 D10	4



013

45.01204.00

FILTER ELEMENT 60x105x300 (500H)

1

02. ENGINE

AIR FILTER

CHASSIS: 72881

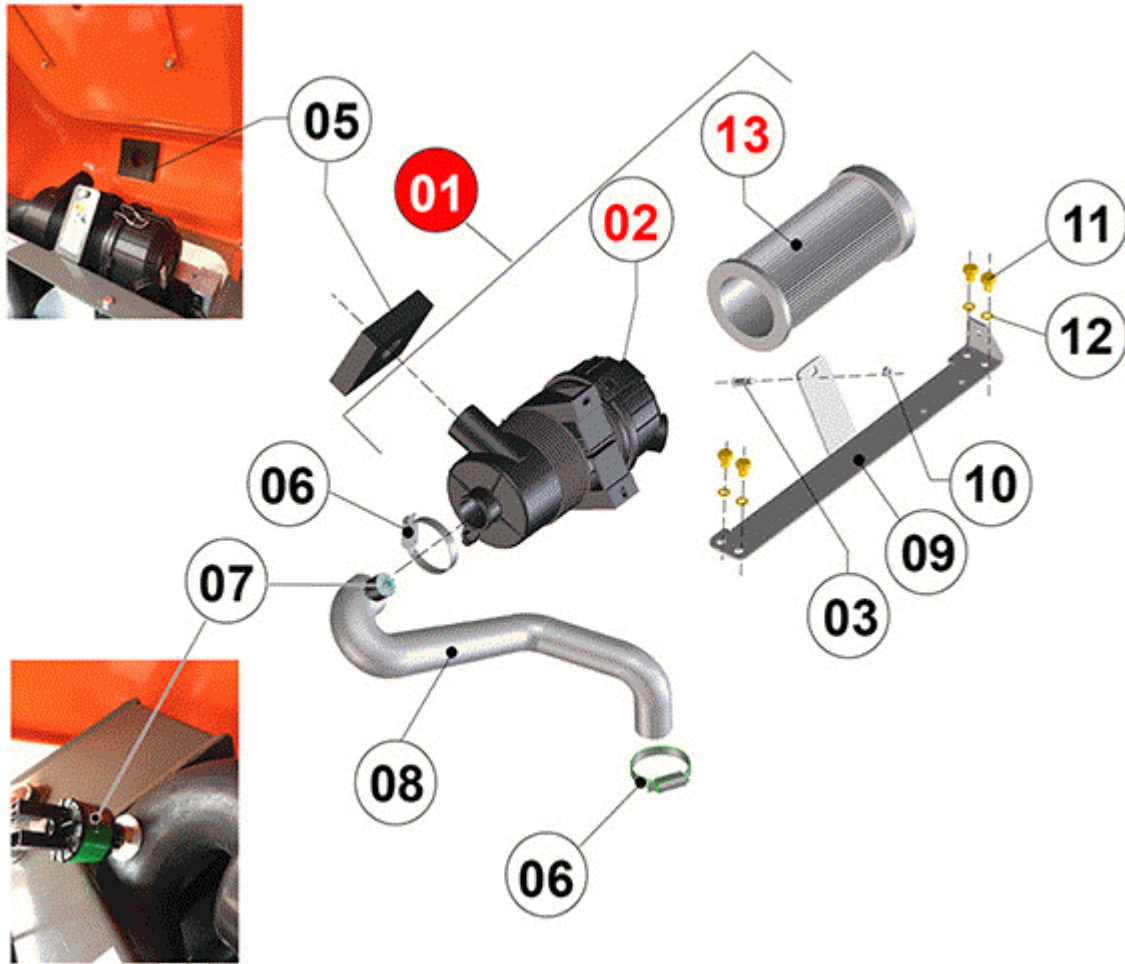


FIGURE	REFERENCE	DENOMINATION	AMOUNT
001	45.01200.12	AIR FILTER VIRGIS	1
002	45.01201.12	CLAMP	1
003	630.08030.96	BOLT ISO7380 M8x30	2
004	912.40060.66	CLAMP D40-60	1
005	70.08097.00	AIR ADMISSION SUPPORT 120X120	1
006	912.60000.66	HOSE CLAMP Ø60-64	2
007	43.50119.00	AIR FILTER INDICATOR	1
008	70.02046.00	ADMISSION TUBE 50x60x160x239	1
009	70.02045.00	ANG. SUPPORT	1
010	701.08000.66	NUT DIN934 M8x1,25	2
011	603.10015.86	SCREW DIN933	4
012	104.10000.00	WASHER DIN7980 D10	4



013

45.01204.00

FILTER ELEMENT 60x105x300 (500H)

1

02. ENGINE

ACCELERATOR PEDAL

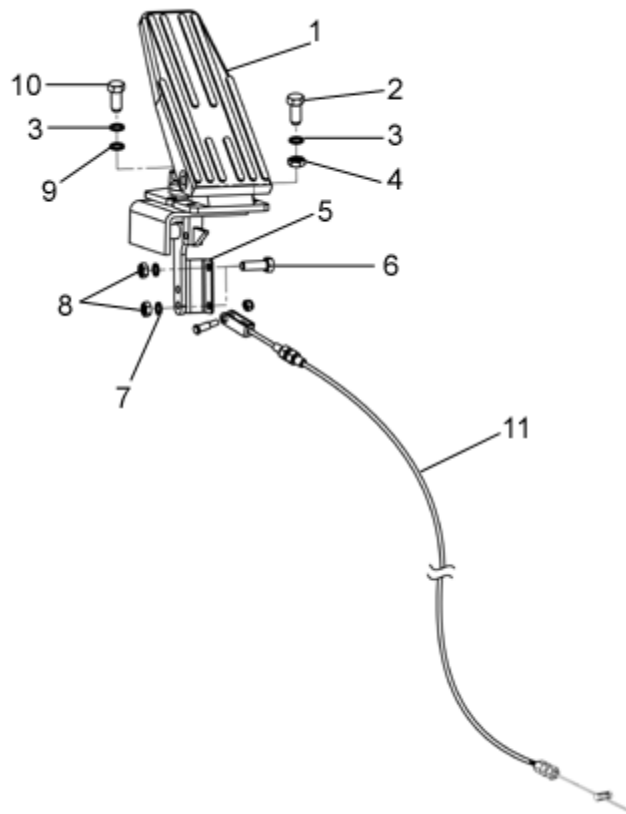


FIGURE	REFERENCE	DENOMINATION	AMOUNT
001	43.70127.00	ACCEL. PEDAL	1
002	603.05015.86	SCREW DIN933	2
003	104.05000.00	WASHER DIN7980 D5	4
004	701.05000.66	NUT DIN934 M5x0.8	2
005	70.02053.00	SOP. PAS. FOR	1
006	603.06020.86	SCREW DIN933 M6x20	2
007	104.05000.00	WASHER DIN7980 D5	2
008	711.06000.66	NUT DIN982 M6	2
009	101.05000.66	WASHER DIN125 D5	2
010	603.05020.86	SCREW DIN933 M5x20	2
011	70.02055.00	ACT. CABLE (PERKINS ENGINE)	1

02. ENGINE

ACCELERATOR PEDAL

CHASSIS: 41571

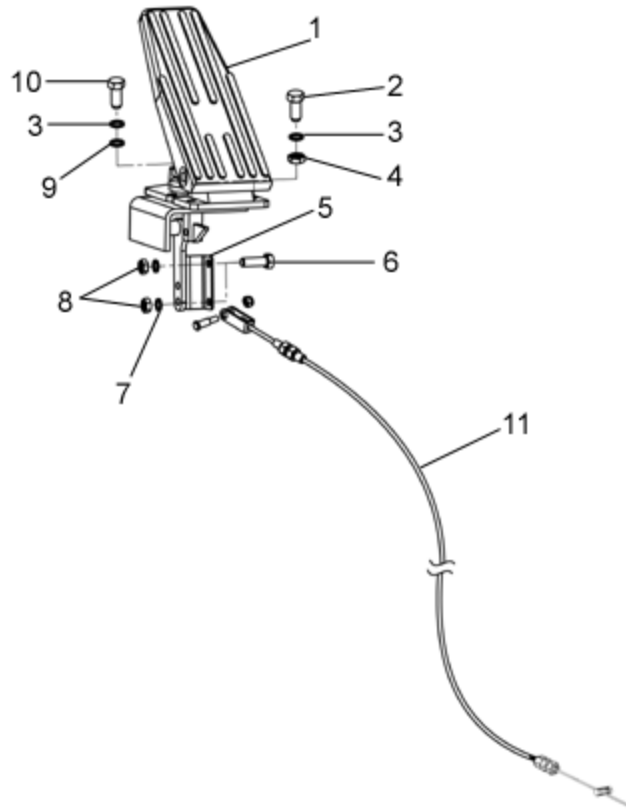


FIGURE	REFERENCE	DENOMINATION	AMOUNT
001	43.70127.00	ACCEL. PEDAL	1
002	603.05015.86	SCREW DIN933	2
003	104.05000.00	WASHER DIN7980 D5	4
004	701.05000.66	NUT DIN934 M5x0.8	2
005	70.02053.00	SOP. PAS. FOR	1
006	603.06020.86	SCREW DIN933 M6x20	2
007	104.05000.00	WASHER DIN7980 D5	2
008	711.06000.66	NUT DIN982 M6	2
009	101.05000.66	WASHER DIN125 D5	2
010	603.05020.86	SCREW DIN933 M5x20	2
011	10.06204.00	ACCEL. CABLE	1

02. ENGINE RADIATOR

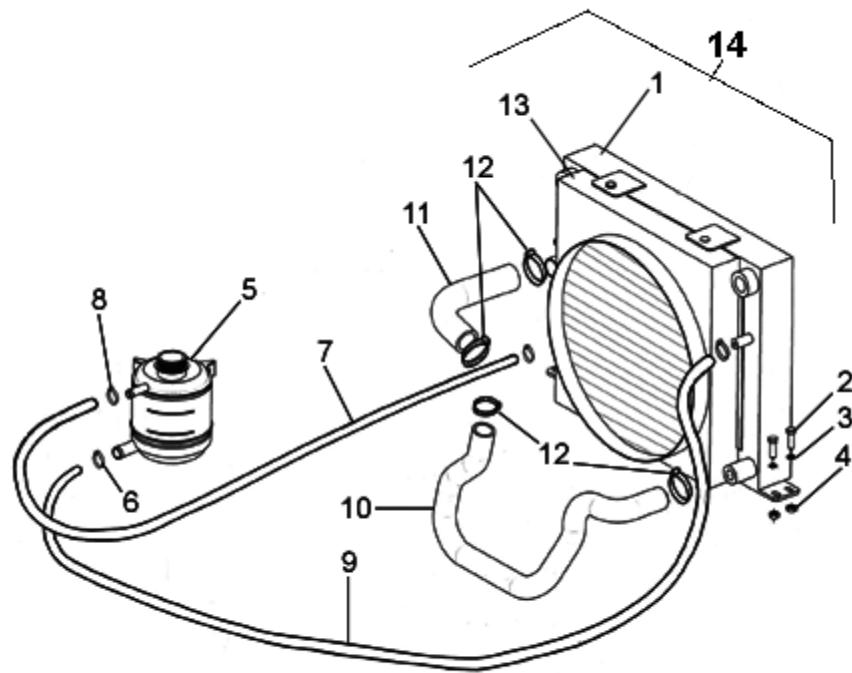


FIGURE	REFERENCE	DENOMINATION	AMOUNT
001	70.02050.00	OIL-WATER RADIATOR 63X381X445	1
002	603.08025.86	SCREW DIN933 M8x25	4
003	104.08000.00	WASHER DIN7980 D8	4
004	701.08000.66	NUT DIN934 M8x1,25	4
005	46.00171.00	EXPANSION TANK WITH CAP	1
006	912.20032.00	CLAMP	2
007	469.25015.00	TUBE MAT. B/P 10x15	1
008	912.08016.66	CLAMP DIN3017	2
009	464.03024.00	MAT. TUBE B/P 18X24	1
010	70.02056.00	RUBBER HOSE B/P	1
011	70.02057.00	RUBBER HOSE B/P	1
012	935.44047.66	CLAMP MIKALOR SUPER 44-47	1
013	70.02052.00	RADIATOR PROTECTOR 85X370X400	1
014	70.02051.00	RADIATOR	1

02. ENGINE

RADIATOR

CHASSIS: 41571

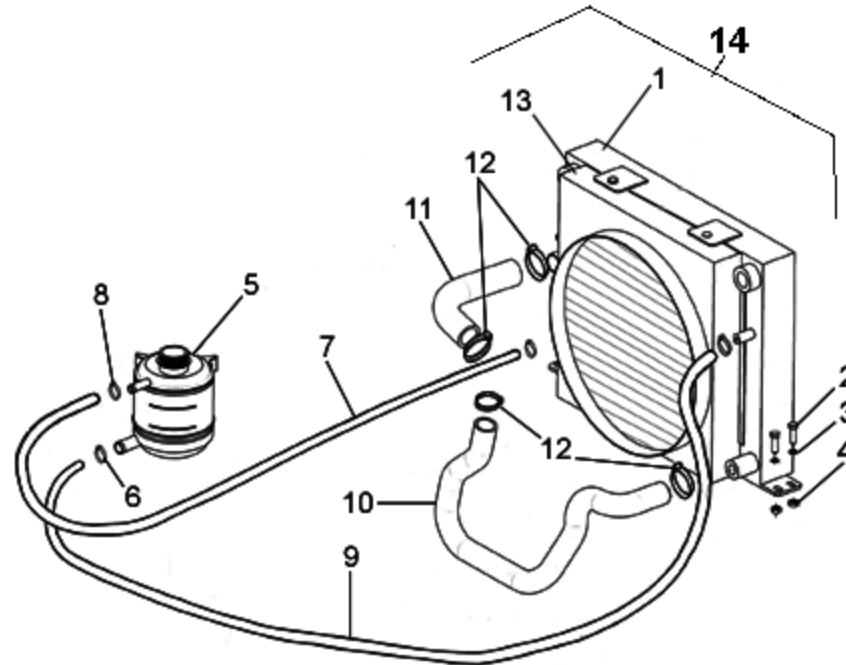


FIGURE	REFERENCE	DENOMINATION	AMOUNT
001	70.02152.00	RADIATOR PROTECTOR	1
002	603.08025.86	SCREW DIN933 M8x25	4
003	104.08000.00	WASHER DIN7980 D8	4
004	701.08000.66	NUT DIN934 M8x1,25	4
005	46.00171.00	EXPANSION TANK WITH CAP	1
006	912.20032.00	CLAMP	2
007	469.25015.00	TUBE MAT. B/P 10x15	1
008	912.08016.66	CLAMP DIN3017	2
009	464.03024.00	MAT. TUBE B/P 18X24	1
010	70.02156.00	RUBBER HOSE B/P	1
011	70.02157.00	RUBBER HOSE B/P	1
012	935.44047.66	CLAMP MIKALOR SUPER 44-47	1
013	70.02151.00	RADIATOR PROTECTOR	1
014	70.02150.00	OIL-WATER RADIATOR 260X381X525	1

02. ENGINE SUPPORTS

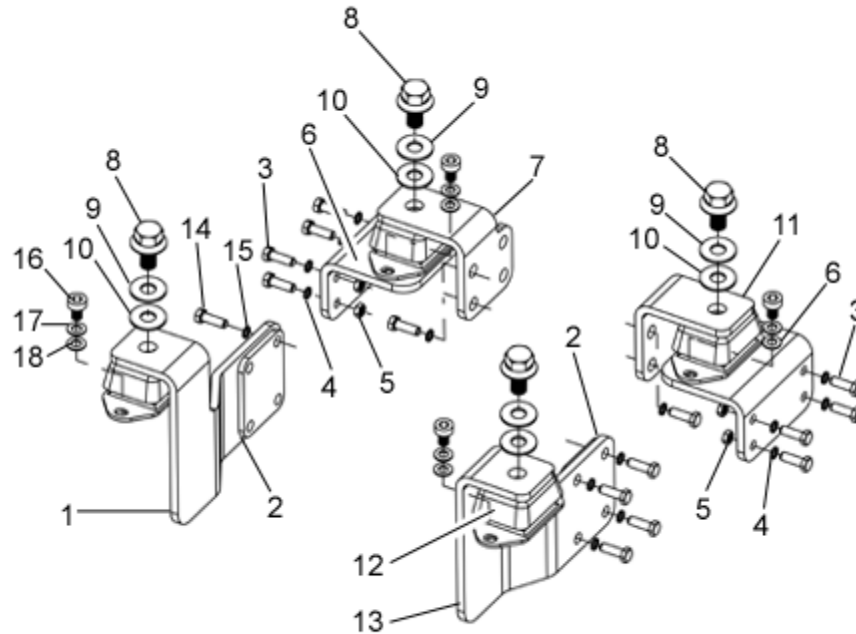


FIGURE	REFERENCE	DENOMINATION	AMOUNT
001	70.02012.00	ENGINE SUPPORT	1
002	70.02013.00	ENGINE SUPPORT	2
003	603.08025.86	SCREW DIN933 M8x25	8
004	104.08000.00	WASHER DIN7980 D8	8
005	701.08000.66	NUT DIN934 M8x1,25	8
006	70.02020.00	ANG. SUPPORT	2
007	70.02021.00	ENGINE SUPPORT	1
008	604.12045.86	SCREW DIN931	4
009	01.00227.00	WASHER DIN6916*	4
010	104.12000.00	WASHER DIN7980 D12	4
011	70.02022.00	ENGINE SUPPORT	1
012	70.02062.00	SHOCK ABSORBER	4
013	70.02011.00	ENGINE SUPPORT	1
014	617.12025.86	SCREW DIN933	16
015	104.12000.00	WASHER DIN7980 D12	16
016	630.10025.96	SCREW ISO7380	8



017	104.10000.00	WASHER DIN7980 D10	8
018	101.10000.66	WASHER DIN125 D10	8

02. ENGINE

SUPPORTS

CHASSIS: 41571

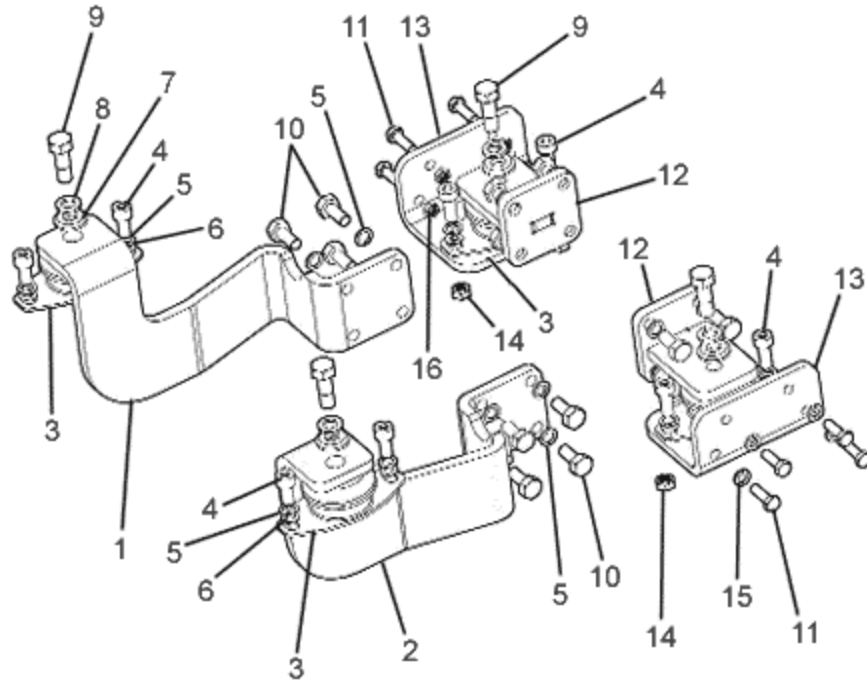


FIGURE	REFERENCE	DENOMINATION	AMOUNT
001	70.02222.00	ENGINE SUPPORT 290X149X113	1
002	70.02221.00	ENGINE SUPPORT 290X149X113	1
003	70.02160.00	SHOCK ABSORBER, 120x63x35.5 SH60	4
004	601.10020.86	SCREW DIN912 M10x20	8
005	104.10000.00	WASHER DIN7980 D10	8
006	101.10000.66	WASHER DIN125 D10	8
007	01.00227.00	WASHER DIN6916*	4
008	104.12000.00	WASHER DIN7980 D12	4
009	604.12035.86	SCREW DIN931 M12x35	4
010	617.10025.86	SCREW DIN960 M10X25X1.25	16
011	603.08025.86	SCREW DIN933 M8x25	8
012	70.02226.00	ENGINE SUPPORT 72X72X95	2
013	70.02223.00	SUPPORT 68X99.5X125	2
014	701.10000.66	NUT DIN934 M10x1.5	4
015	104.08000.00	WASHER DIN7980 D8	8
016	701.08000.66	NUT DIN934 M8x1,25	8

02. ENGINE

SUPPORTS

CHASSIS: 50210

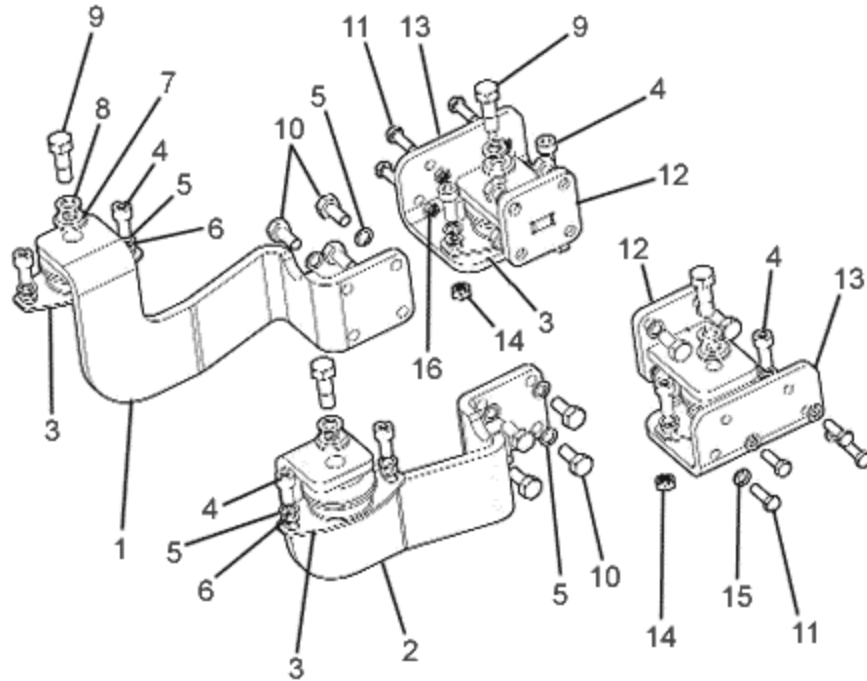


FIGURE	REFERENCE	DENOMINATION	AMOUNT
001	70.02222.00	ENGINE SUPPORT 290X149X113	1
002	70.02221.00	ENGINE SUPPORT 290X149X113	1
003	70.02160.00	SHOCK ABSORBER, 120x63x35.5 SH60	4
004	601.10020.86	SCREW DIN912 M10x20	8
005	104.10000.00	WASHER DIN7980 D10	8
006	101.10000.66	WASHER DIN125 D10	8
007	01.00227.00	WASHER DIN6916*	4
008	104.12000.00	WASHER DIN7980 D12	4
009	604.12035.86	SCREW DIN931 M12x35	4
010	617.10025.86	SCREW DIN960 M10X25X1.25	16
011	603.08025.86	SCREW DIN933 M8x25	8
012	70.02226.01	ENGINE SUPPORT 72X72X95	2
013	70.02223.00	SUPPORT 68X99.5X125	2
014	701.10000.66	NUT DIN934 M10x1.5	4
015	104.08000.00	WASHER DIN7980 D8	8
016	701.08000.66	NUT DIN934 M8x1,25	8

02. ENGINE

SUPPORTS

CHASSIS: 53952

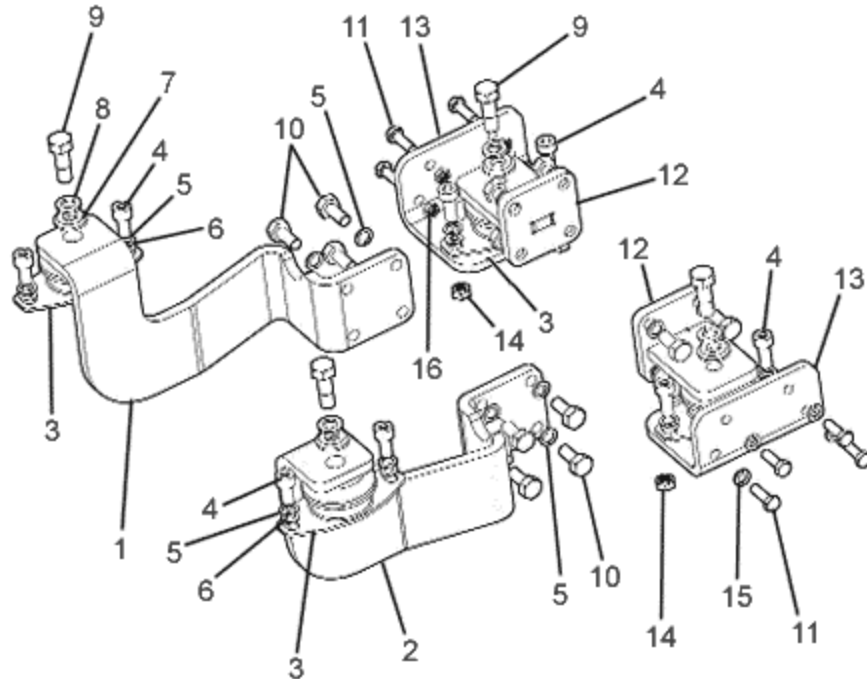


FIGURE	REFERENCE	DENOMINATION	AMOUNT
001	70.02222.00	ENGINE SUPPORT 290X149X113	1
002	70.02221.00	ENGINE SUPPORT 290X149X113	1
003	70.02062.00	SHOCK ABSORBER	4
004	601.10020.86	SCREW DIN912 M10x20	8
005	104.10000.00	WASHER DIN7980 D10	8
006	101.10000.66	WASHER DIN125 D10	8
007	01.00227.00	WASHER DIN6916*	4
008	104.12000.00	WASHER DIN7980 D12	4
009	604.12035.86	SCREW DIN931 M12x35	4
010	617.10025.86	SCREW DIN960 M10X25X1.25	16
011	603.08025.86	SCREW DIN933 M8x25	8
012	70.02226.01	ENGINE SUPPORT 72X72X95	2
013	70.02223.01	ENGINE SUPPORT 125X8X72	2
014	701.10000.66	NUT DIN934 M10x1.5	4
015	104.08000.00	WASHER DIN7980 D8	8
016	701.08000.66	NUT DIN934 M8x1,25	8

02. ENGINE

SUPPORTS

CHASSIS: 59872

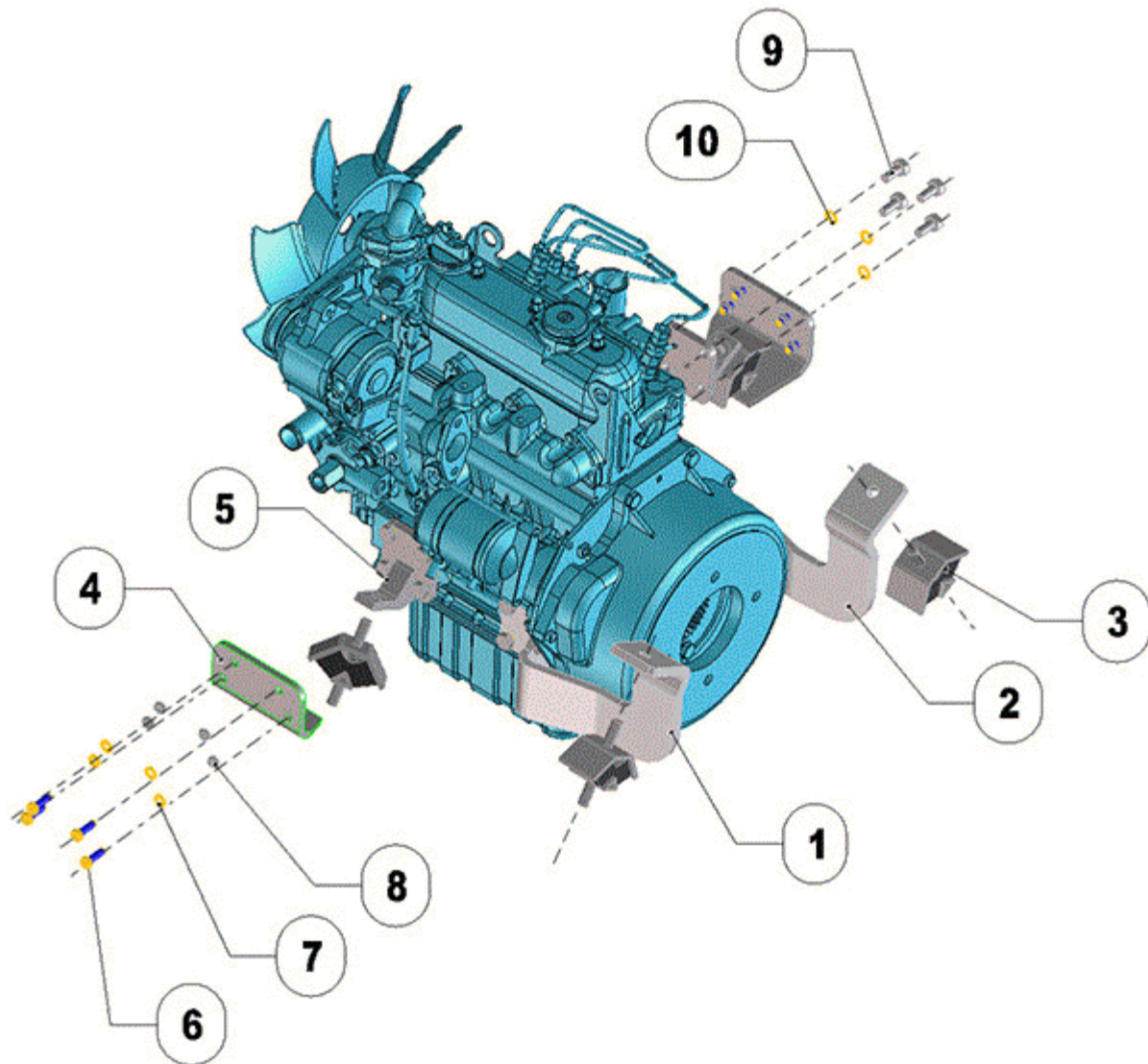


FIGURE	REFERENCE	DENOMINATION	AMOUNT
001	70.02222.01	ENGINE SUPPORT 290X149X113	1
002	70.02221.01	ENGINE SUPPORT 290X149X113	1
003	70.02029.00	SHOCK DAMPER 50x88x42	4
004	70.02223.01	ENGINE SUPPORT 125X8X72	2
005	70.02226.02	ENGINE SUPPORT 72X86	2
006	603.08025.86	SCREW DIN933 M8x25	8
007	105.08000.66	CIR-CLIP EXT. DIN7980 D8	8
008	701.08000.66	NUT DIN934 M8x1,25	8
009	617.10025.86	SCREW DIN960 M10X25X1.25	16
010	105.10000.66	WASHER DIN7980 D10	16

COMMENTS

MOD. 3497 Se refuerza el bastidor posterior y se modifica los soportes motor y silentblocs para reducir vibraciones

03. TRANSMISSION

GEARBOX

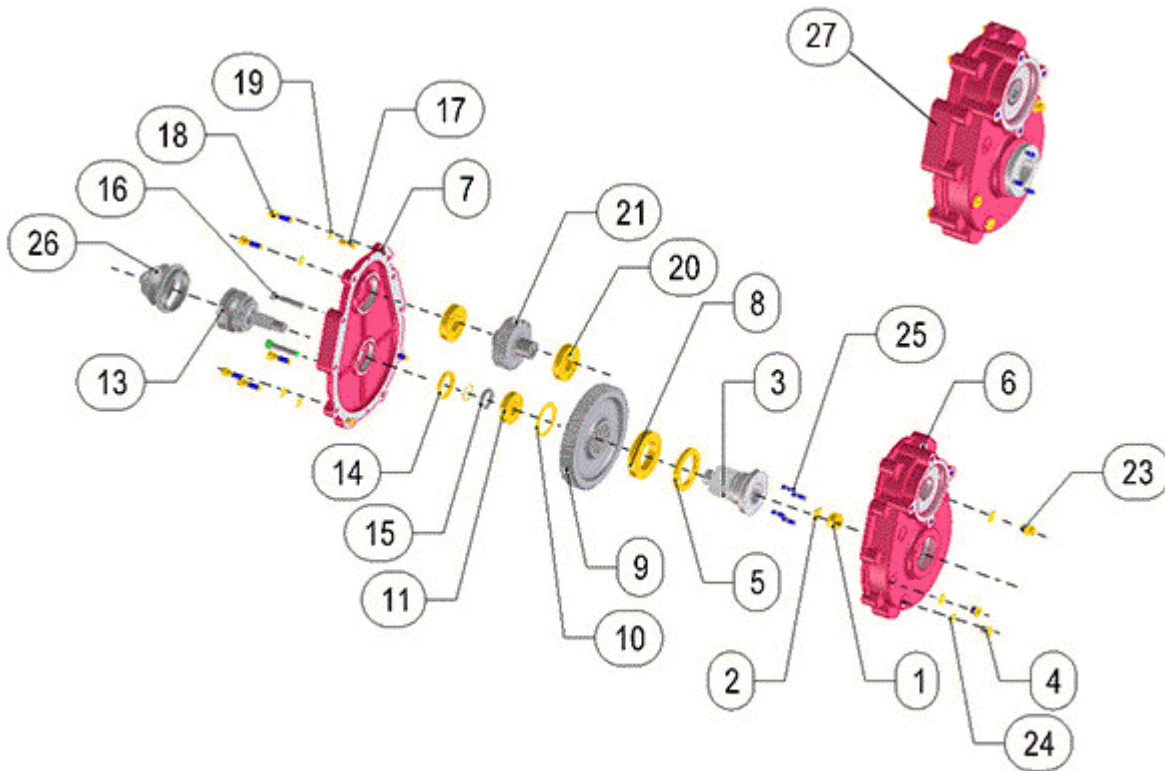


FIGURE	REFERENCE	DENOMINATION	AMOUNT
001	720.20000.66	NUT DIN985 M20x1.5	1
002	101.20000.66	WASHER DIN125	1
003	70.03321.00	CYL/CYL COUPLING	1
004	10.00921.00	CAP M14X150 DIN908	1
005	202.65010.50	SEAL DIN3760	1
006	70.03309.00	COVER	1
007	70.03310.00	COVER	1
008	301.60018.00	BEARING DIN625	1
009	70.03315.02	GEAR D 150 AHG	1
010	904.60000.00	RING DIN471 E60	1
011	301.30016.00	BEARING DIN625	1
012	201.03002.50	O-RING DIN3770	1
013	39.10630.00	BUSHING	1
014	202.04006.50	SEAL DIN3760	1
015	70.03317.00	SUPLEMENT	1
016	603.10060.86	SCREW DIN933	4

017	403.10035.00	PIN DIN6325 D10X35	2
018	604.10040.86	SCREW DIN931	6
019	104.10000.00	WASHER DIN7980 D10	6
020	301.35017.00	BEARING DIN625	2
021	70.03316.02	GEAR D 150 AHG	1
022	80.01035.01	CAP	1
023	20.03104.00	CAP	1
024	107.14000.10	WASHER AL 14x20x1.5	3
025	43.50166.00	STUD.M8X1.25X30	4
026	39.10631.00	DUST EXCLUDER	1
027	70.03302.00	HIDROSTATIC REDUCTOR BOX D 85/100/120 AHA/AHG	1

03. TRANSMISSION

GEARBOX

CHASSIS: 41356

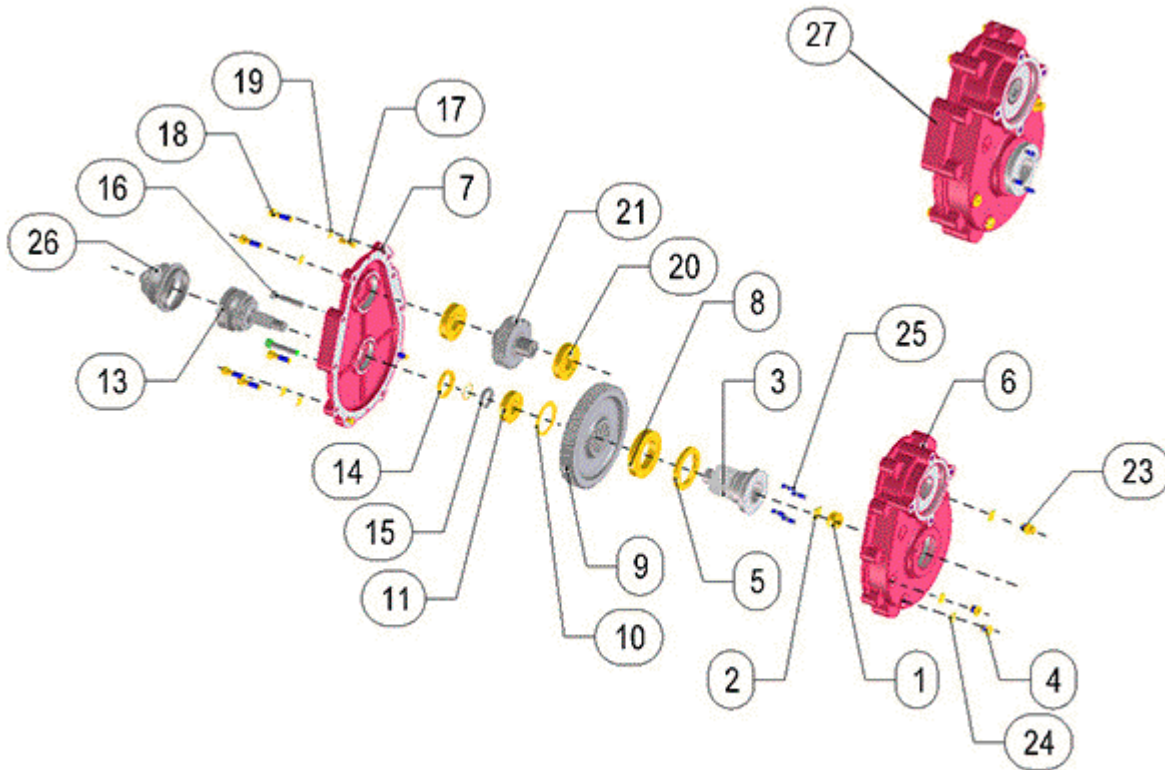


FIGURE	REFERENCE	DENOMINATION	AMOUNT
001	720.20000.66	NUT DIN985 M20x1.5	1
002	101.20000.66	WASHER DIN125	1
003	70.03321.00	CYL/CYL COUPLING	1
004	10.00921.00	CAP M14X150 DIN908	1
005	202.65010.50	SEAL DIN3760	1
006	70.03311.00	TRANSFER BOX HOUSING 77X274X368	1
007	70.03310.00	COVER	1
008	301.60018.00	BEARING DIN625	1
009	70.03315.02	GEAR D 150 AHG	1
010	904.60000.00	RING DIN471 E60	1
011	301.30016.00	BEARING DIN625	1
012	201.03002.50	O-RING DIN3770	1
013	39.10630.00	BUSHING	1
014	202.04006.50	SEAL DIN3760	1
015	70.03317.00	SUPLEMENT	1

016	603.10060.86	SCREW DIN933	4
017	403.10035.00	PIN DIN6325 D10X35	2
018	604.10040.86	SCREW DIN931	6
019	104.10000.00	WASHER DIN7980 D10	6
020	301.35017.00	BEARING DIN625	2
021	70.03316.02	GEAR D 150 AHG	1
022	80.01035.01	CAP	1
023	20.03104.00	CAP	1
024	107.14000.10	WASHER AL 14x20x1.5	3
025	43.50166.00	STUD.M8X1.25X30	4
026	39.10631.00	DUST EXCLUDER	1
027	70.03302.02	HIDROSTATIC REDUCTOR BOX D 150 AHG	1

03. TRANSMISSION

GEARBOX

CHASSIS: 51715

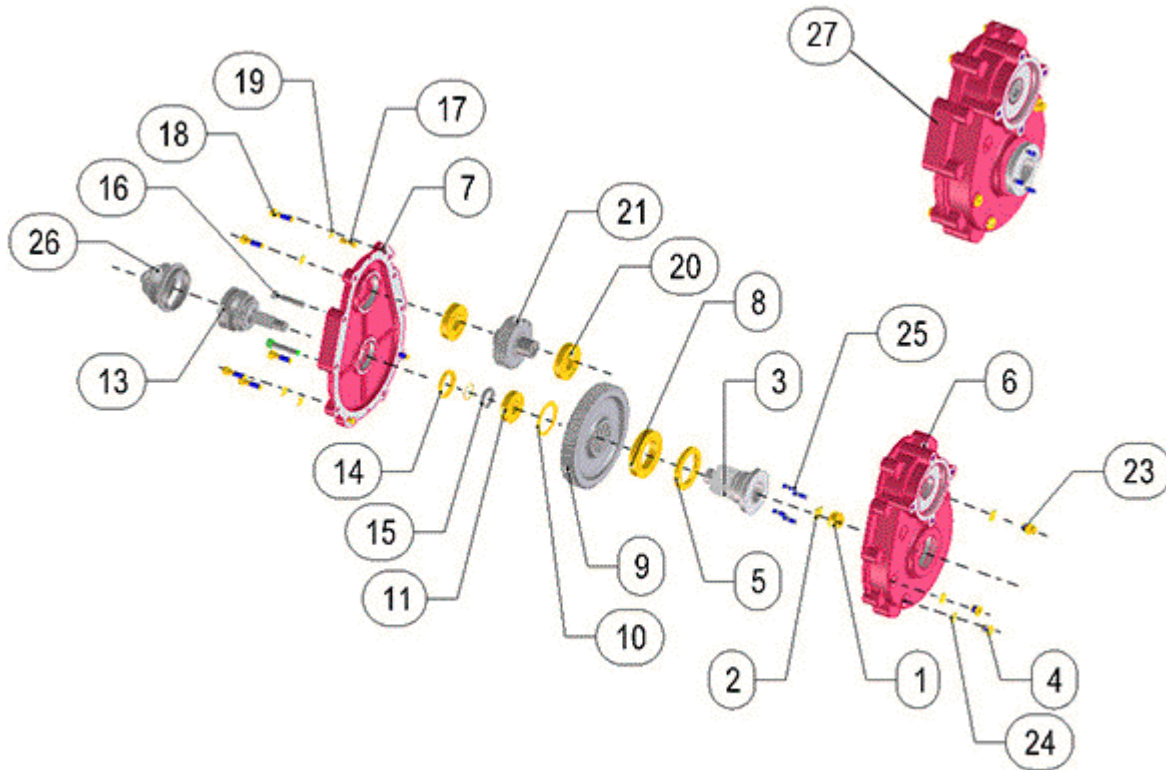


FIGURE	REFERENCE	DENOMINATION	AMOUNT
001	720.20000.66	NUT DIN985 M20x1.5	1
002	101.20000.66	WASHER DIN125	1
003	70.03321.00	CYL/CYL COUPLING	1
004	10.00921.00	CAP M14X150 DIN908	1
005	202.65010.50	SEAL DIN3760	1
006	70.03309.00	COVER	1
007	70.03310.00	COVER	1
008	301.60018.00	BEARING DIN625	1
009	70.03315.02	GEAR D 150 AHG	1
010	904.60000.00	RING DIN471 E60	1
011	301.30016.00	BEARING DIN625	1
012	201.03002.50	O-RING DIN3770	1
013	39.10630.01	HOMOCINETIC BALL JOINT	1
014	202.04006.50	SEAL DIN3760	1
015	70.03317.00	SUPLEMENT	1

016	603.10060.86	SCREW DIN933	4
017	403.10035.00	PIN DIN6325 D10X35	2
018	604.10040.86	SCREW DIN931	6
019	104.10000.00	WASHER DIN7980 D10	6
020	301.35017.00	BEARING DIN625	2
021	70.03316.02	GEAR D 150 AHG	1
022	80.01035.01	CAP	1
023	20.03104.00	CAP	1
024	107.14000.10	WASHER AL 14x20x1.5	3
025	43.50166.00	STUD.M8X1.25X30	4
026	39.10631.00	DUST EXCLUDER	1

03. TRANSMISSION

GEARBOX

CHASSIS: 81727

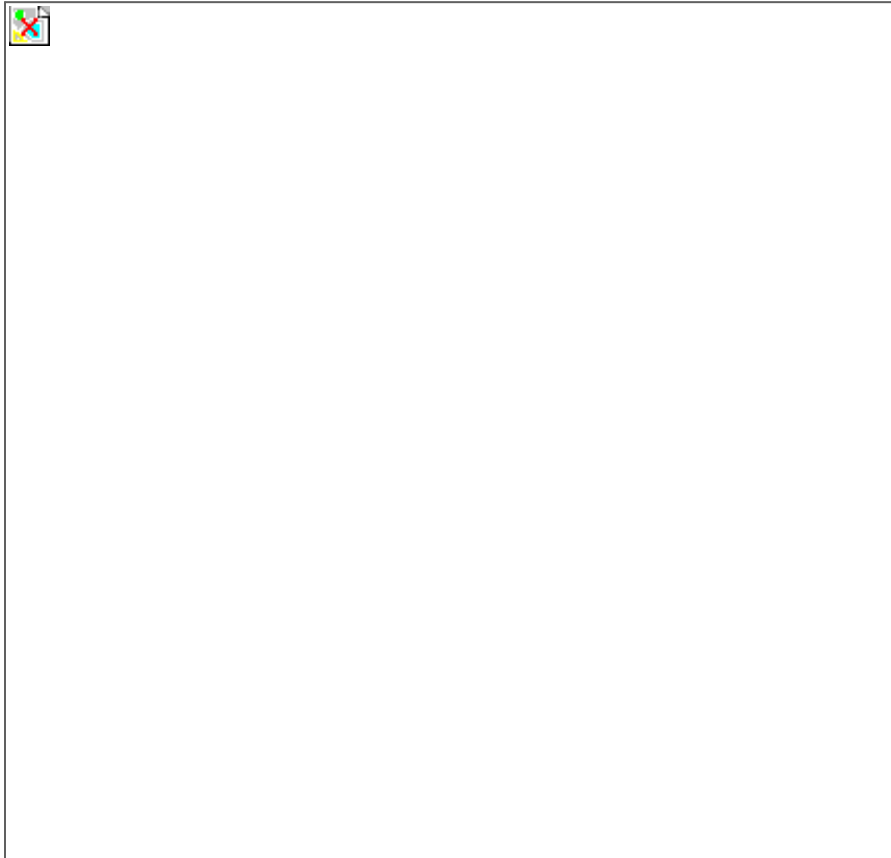


FIGURE	REFERENCE	DENOMINATION	AMOUNT
001	720.20000.66	NUT DIN985 M20x1.5	1
002	101.20000.66	WASHER DIN125	1
003	70.03321.00	CYL/CYL COUPLING	1
004	10.00921.00	CAP M14X150 DIN908	1
005	202.65010.50	SEAL DIN3760	1
006	70.03309.00	COVER	1
007	70.03310.00	COVER	1
008	301.60018.00	BEARING DIN625	1
009	70.03315.02	GEAR D 150 AHG	1
010	904.60000.00	RING DIN471 E60	1
011	301.30016.00	BEARING DIN625	1
012	201.03002.50	O-RING DIN3770	1
013	39.10630.01	HOMOCINETIC BALL JOINT	1
014	202.04006.50	SEAL DIN3760	1
015	70.03317.00	SUPLEMENT	1
016	603.10060.86	SCREW DIN933	4

017	403.10035.00	PIN DIN6325 D10X35	2
018	604.10040.86	SCREW DIN931	6

03. TRANSMISSION

GEARBOX

CHASSIS: 81727

FIGURE	REFERENCE	DENOMINATION	AMOUNT
019	104.10000.00	WASHER DIN7980 D10	6
020	301.35017.00	BEARING DIN625	2
021	70.03316.02	GEAR D 150 AHG	1
022	80.01035.01	CAP	1
023	20.03104.00	CAP	1
024	107.14000.10	WASHER AL 14x20x1.5	3
025	601.08020.96	HEXAGON SOCKET HEAD SCREW DIN912 M8x20	4
026	39.10631.00	DUST EXCLUDER	1
028	104.08000.00	WASHER DIN7980 D8	4

TRANSMISSION

CAJA REDUCTORA & JUNTA CARDÁN

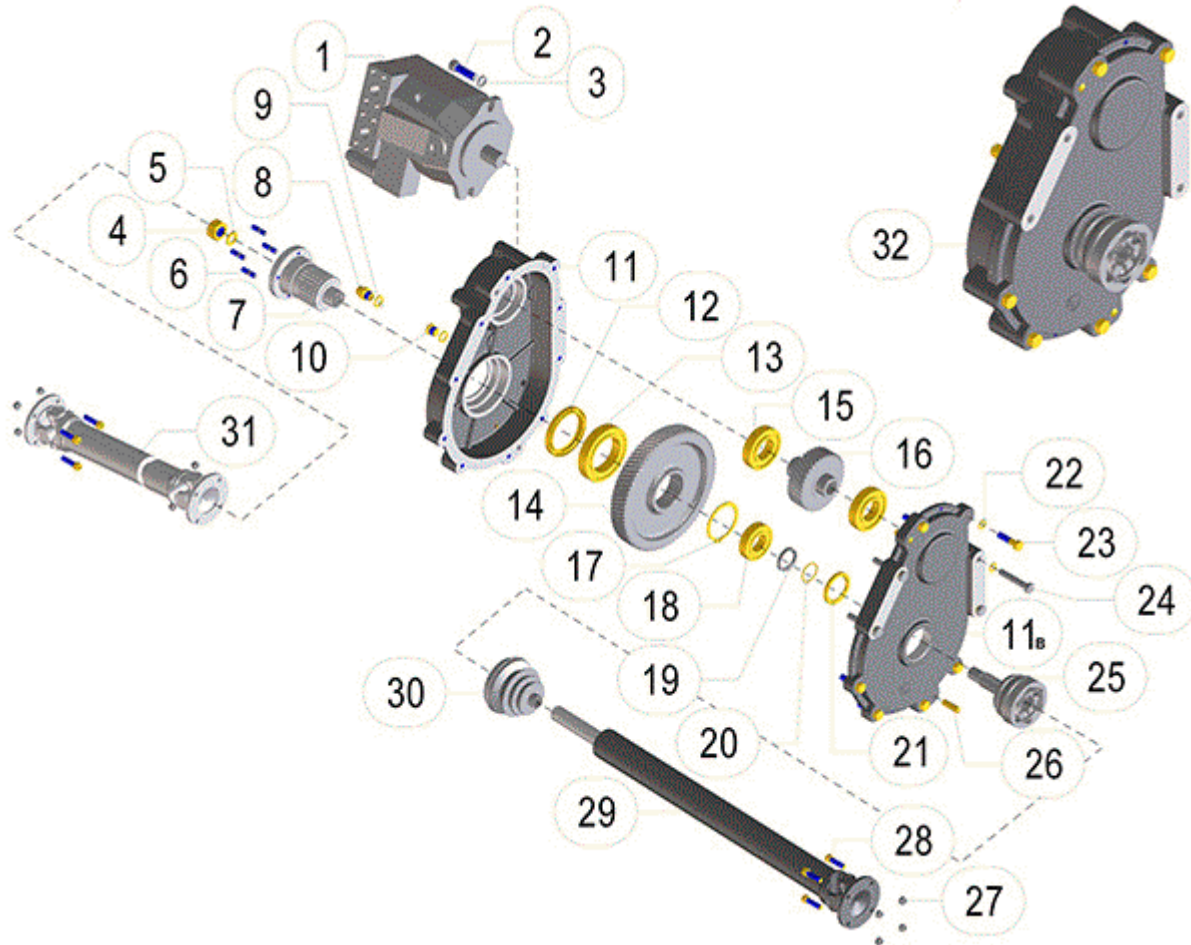


FIGURE	REFERENCE	DENOMINATION	AMOUNT
001	70.03604.00	HYDRAULIC ENGINE 45CC	1
001	70.03603.00	HYDROSTATIC ENGINE 28CC	1
002	601.12040.86	SCREW DIN912	2
003	105.12000.66	WASHER DIN7980 D12	2
004	720.20000.66	NUT DIN985 M20x1.5	1
005	101.20000.66	WASHER DIN125	1
006	43.50166.00	STUD.M8X1.25X30	4
007	70.03321.00	CYL/CYL COUPLING	1
008	20.03104.00	CAP	1
009	107.08000.10	WASHER AL 8x13.5x1.5	3
010	80.01035.01	CAP	2
011	70.03311.00	TRANSFER BOX HOUSING 77X274X368	1
011B	70.03310.00	COVER	1
012	202.65010.50	SEAL DIN3760	1

013	301.60018.00	BEARING DIN625	1
014	70.03315.00	GEAR (MODEL 120)	1
015	301.35017.00	BEARING DIN625	2
016	70.03316.00	GEAR	1
017	904.60000.00	RING DIN471 E60	1
018	301.30016.00	BEARING DIN625	1
019	70.03317.00	SUPLEMENT	1
020	201.30025.50	GASKET	1
021	202.04006.50	SEAL DIN3760	1
022	105.10000.66	WASHER DIN7980 D10	6
023	604.10040.86	SCREW DIN931	6
024	603.10060.86	SCREW DIN933	4
025	39.10630.00	BUSHING	1
026	403.10035.00	PIN DIN6325 D10X35	2
027	711.08000.66	NUT DIN982 M8	12
028	601.08030.86	SCREW DIN912 M8x30	8
029	70.03513.00	CARDAN UNIVERSAL JOINT MECH. HYDROS. (D 150 AHG)	1
030	39.10631.00	DUST EXCLUDER	1
031	70.03511.00	CARDAN UNIVERSAL JOINT MECHANICAL 372	1
032	70.03302.00	HIDROSTATIC REDUCTOR BOX D 85/100/120 AHA/AHG	1

03. TRANSMISSION

HYDROSTATIC TRANSMISSION

① 85 - 100

② 120

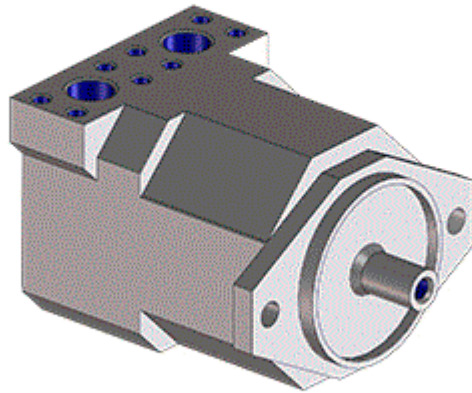


FIGURE	REFERENCE	DENOMINATION	AMOUNT
001	70.03603.00	HYDROSTATIC ENGINE 28CC	1
002	70.03604.00	HYDRAULIC ENGINE 45CC	1

03. TRANSMISSION

HYDROSTATIC TRANSMISSION

CHASSIS: 84146

- ① 85
- ② 100
- ③ 120

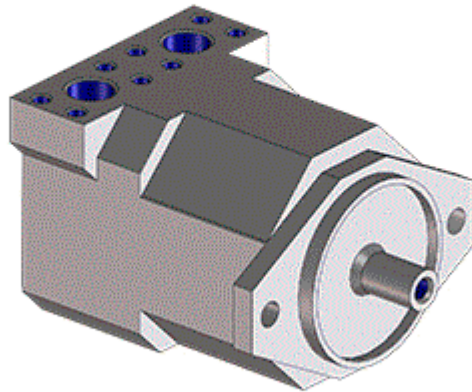


FIGURE	REFERENCE	DENOMINATION	AMOUNT
001	70.03603.00	HYDROSTATIC ENGINE 28CC	1
002	70.03603.01		1
003	70.03604.00	HYDRAULIC ENGINE 45CC	1

03. TRANSMISSION

UNIVERSAL JOINT

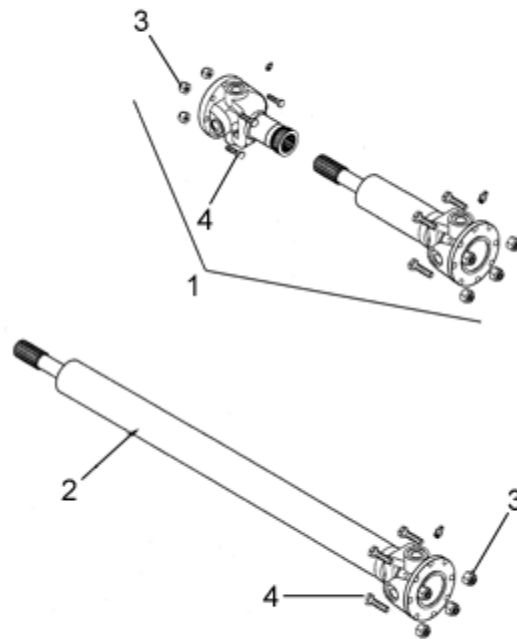


FIGURE	REFERENCE	DENOMINATION	AMOUNT
001	70.03511.00	CARDAN UNIVERSAL JOINT MECHANICAL 372	1
002	70.03512.00	CARDAN UNIVERSAL JOINT 586	1
003	711.08000.66	NUT DIN982 M8	1
004	603.08030.86	SCREW DIN933 M8X30	1

TRANSMISSION (FRONT AXLE)

FRONT AXLE

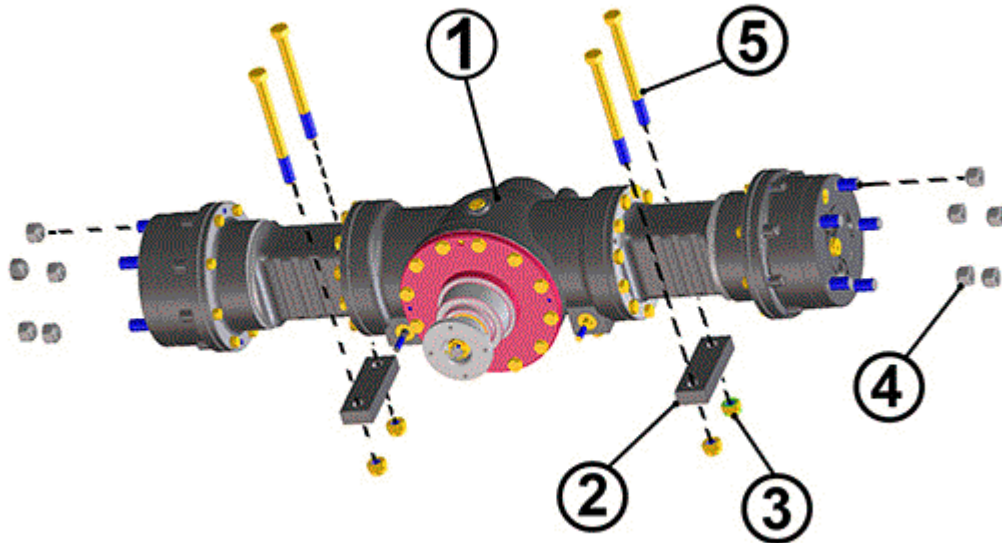


FIGURE	REFERENCE	DENOMINATION	AMOUNT
001	70.03400.00	FRONT AXLE	1
002	70.04232.00	SUPPORT	2
003	711.14000.66	NUT DIN982 M14 8.8 K	4
004	45.00588.00	NUT DIN982 M16x1,5	10
005	604.14160.86	BOLT DIN931 M14x160	4

TRANSMISSION (FRONT AXLE)

FRONT AXLE

CHASSIS: 43404

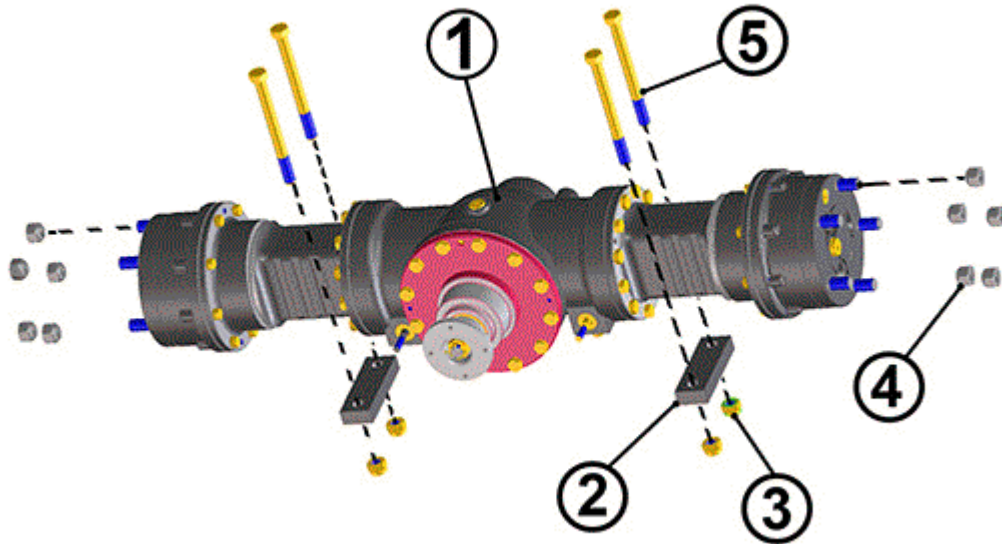


FIGURE	REFERENCE	DENOMINATION	AMOUNT
001	70.03400.02	FRONT AXLE (D 85/100/120)	1
002	70.04232.00	SUPPORT	2
003	711.14000.66	NUT DIN982 M14 8.8 K	4
004	45.00588.00	NUT DIN982 M16x1,5	10
005	604.14160.86	BOLT DIN931 M14x160	4

TRANSMISSION (FRONT AXLE)

FRONT AXLE

CHASSIS: 44031

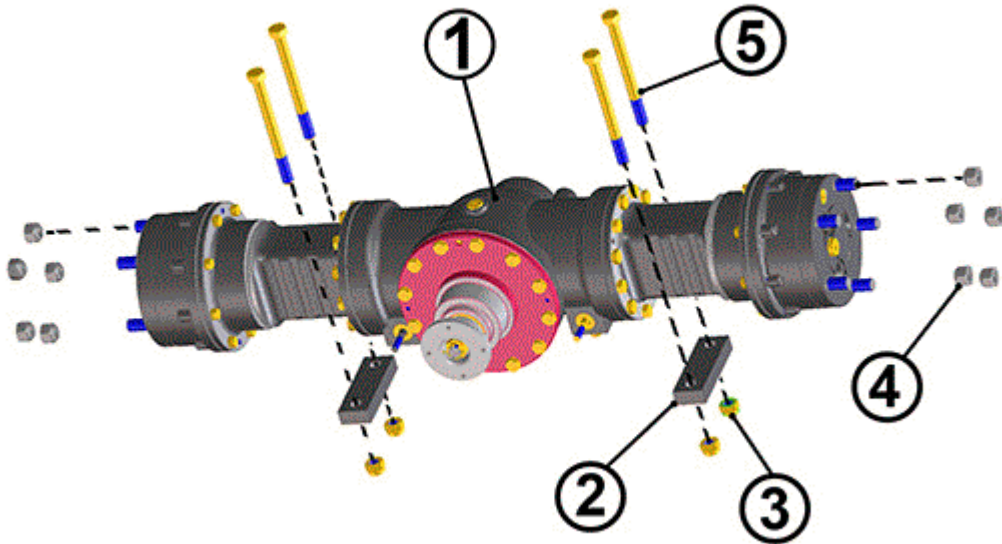


FIGURE	REFERENCE	DENOMINATION	AMOUNT
001	70.03400.03	FRONT AXLE (D 85/100/120)	1
002	70.04232.00	SUPPORT	2
003	711.14000.66	NUT DIN982 M14 8.8 K	4
004	45.00588.00	NUT DIN982 M16x1,5	10
005	604.14160.86	BOLT DIN931 M14x160	4

TRANSMISSION (FRONT AXLE) DIFFERENTIAL

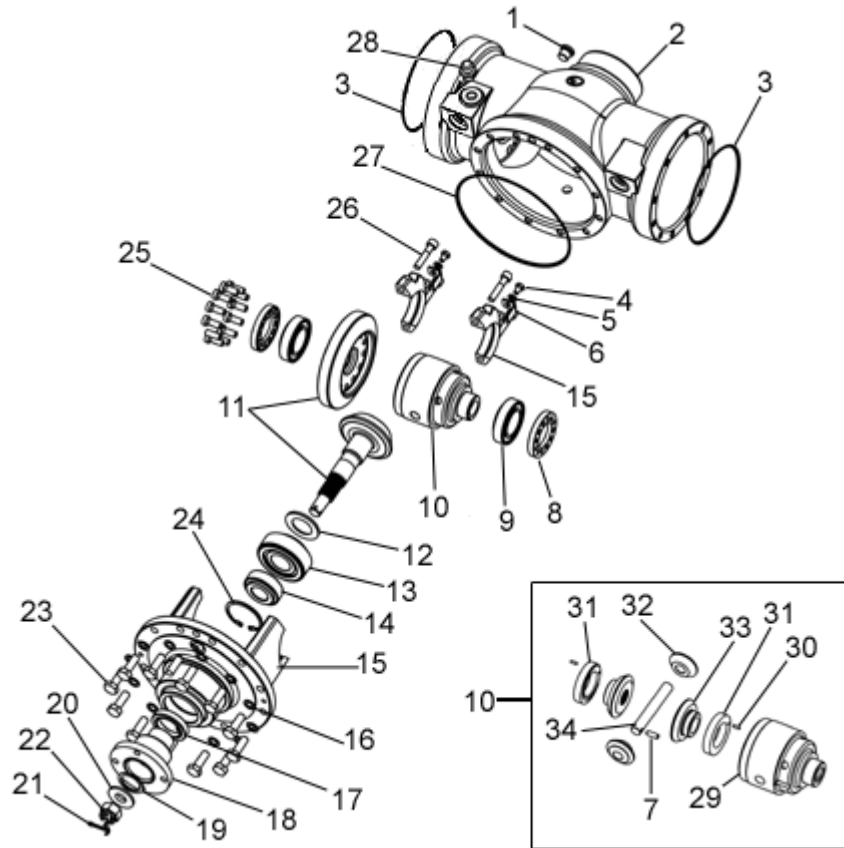


FIGURE	REFERENCE	DENOMINATION	AMOUNT
001	80.01035.01	CAP	1
002	70.03411.00	DIFFERENTIAL HOUSING	1
003	201.13525.50	O-RING DIN3770	2
004	603.06010.86	SCREW DIN933 M6x10	2
005	104.06000.00	WASHER DIN7980 D6	2
006	70.03437.00	FIXATION SUPPORT	2
007	612.06018.86	SCREW DIN814	1
008	70.03434.00	BEARING 9X64X64	2
009	307.35018.00	ROLLING BEARING	2
010	70.03439RE00	COMPLETE DIFFERENTIAL	1
011	70.03408.00	CONICAL GROUP	1
012	70.03438.00	WASHER Ø30,5x50x3	1
013	307.30029.00	BEARING DIN720 HM88500	1
014	307.25019.00	BEARING DIN720 32205-B	1
015	70.03410.00	GEAR SUPPORT 205X205X209	1
016	104.10000.00	WASHER DIN7980 D10	12

017	216.03510.50	SEAL	1
018	70.03320.00	CYL/CYL COUPLING 35X90X65	1

TRANSMISSION (FRONT AXLE) DIFFERENTIAL

FIGURE	REFERENCE	DENOMINATION	AMOUNT
019	201.33025.50	O-RING DIN3770	1
020	70.03435.00	WASHER Ø16x38x5	1
021	401.03040.60	PIN	1
022	710.16000.66	NUT	1
023	603.10030.86	SCREW DIN933	12
024	905.52000.00	RING 0,5 MM.	1
025	610.08020.96	HEXAGON SOCKET HEAD SCREW DIN6912 M8x20	12
026	601.08040.96	HEXAGON SOCKET HEAD SCREW DIN912 M8x40	2
027	201.16525.50	GASKET DIN3770 165X2.5	1
028	20.03104.00	CAP	1
029	70.03439.00	DIFFERENTIAL HOUSING	1
030	403.10030.00	PIN	2
031	70.03433.00	WASHER Ø35,5x57x10	2
032	70.03425.00	CONICAL GEAR Z10	2
033	70.03426.00	CONICAL GEAR Z16	2
034	70.03424.00	CYL/CYL AXLE	1

TRANSMISSION (FRONT AXLE)

DIFFERENTIAL

CHASSIS: 67456

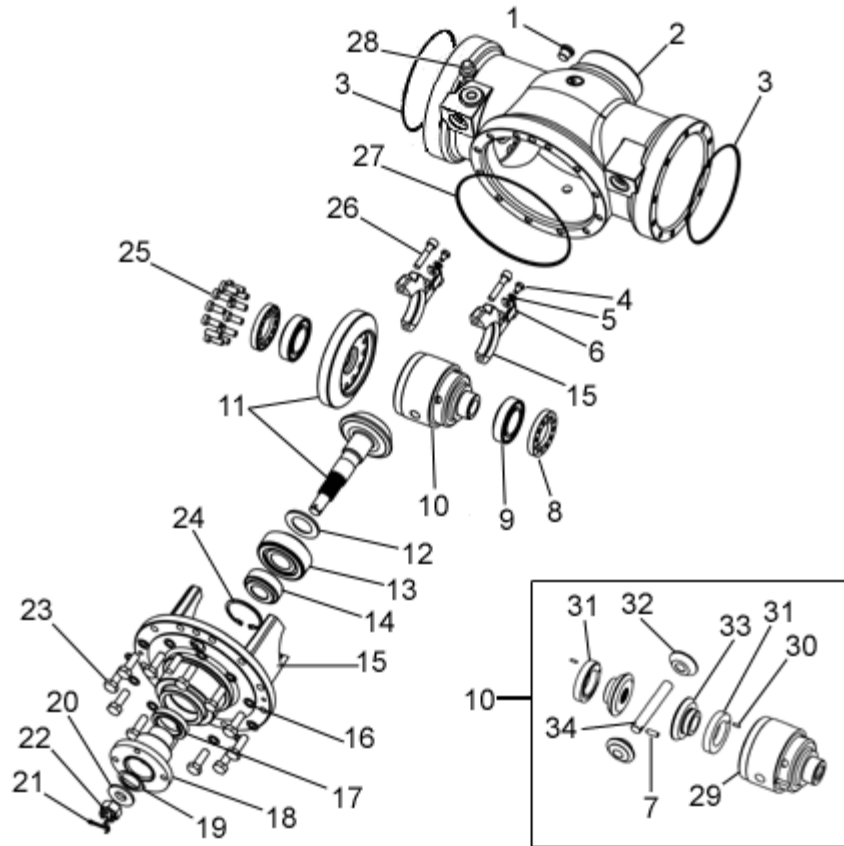


FIGURE	REFERENCE	DENOMINATION	AMOUNT
001	80.01035.01	CAP	1
002	70.03411.00	DIFFERENTIAL HOUSING	1
003	201.13525.50	O-RING DIN3770	2
004	603.06010.86	SCREW DIN933 M6x10	2
005	104.06000.00	WASHER DIN7980 D6	2
006	70.03437.00	FIXATION SUPPORT	2
007	612.06018.86	SCREW DIN814	1
008	70.03434.00	BEARING 9X64X64	2
009	307.35018.00	ROLLING BEARING	2
010	70.03439RE00	COMPLETE DIFFERENTIAL	1
011	70.03408.00	CONICAL GROUP	1
012	70.03438.01	WASHER. D30, 5X50X3	1
013	307.30029.01	DIN 720 323 BEARING	1
014	307.25019.00	BEARING DIN720 32205-B	1
015	70.03410.00	GEAR SUPPORT 205X205X209	1
016	104.10000.00	WASHER DIN7980 D10	12

017	216.03510.50	SEAL	1
018	70.03320.00	CYL/CYL COUPLING 35X90X65	1

TRANSMISSION (FRONT AXLE)

DIFFERENTIAL

CHASSIS: 67456

FIGURE	REFERENCE	DENOMINATION	AMOUNT
019	201.33025.50	O-RING DIN3770	1
020	70.03435.00	WASHER Ø16x38x5	1
021	401.03040.60	PIN	1
022	710.16000.66	NUT	1
023	603.10030.86	SCREW DIN933	12
024	905.52000.00	RING 0,5 MM.	1
025	610.08020.96	HEXAGON SOCKET HEAD SCREW DIN6912 M8x20	12
026	601.08040.96	HEXAGON SOCKET HEAD SCREW DIN912 M8x40	2
027	201.16525.50	GASKET DIN3770 165X2.5	1
028	20.03104.00	CAP	1
029	70.03439.00	DIFFERENTIAL HOUSING	1
030	403.10030.00	PIN	2
031	70.03433.00	WASHER Ø35,5x57x10	2
032	70.03425.00	CONICAL GEAR Z10	2
033	70.03426.00	CONICAL GEAR Z16	2
034	70.03424.00	CYL/CYL AXLE	1

TRANSMISSION (FRONT AXLE) BRAKE

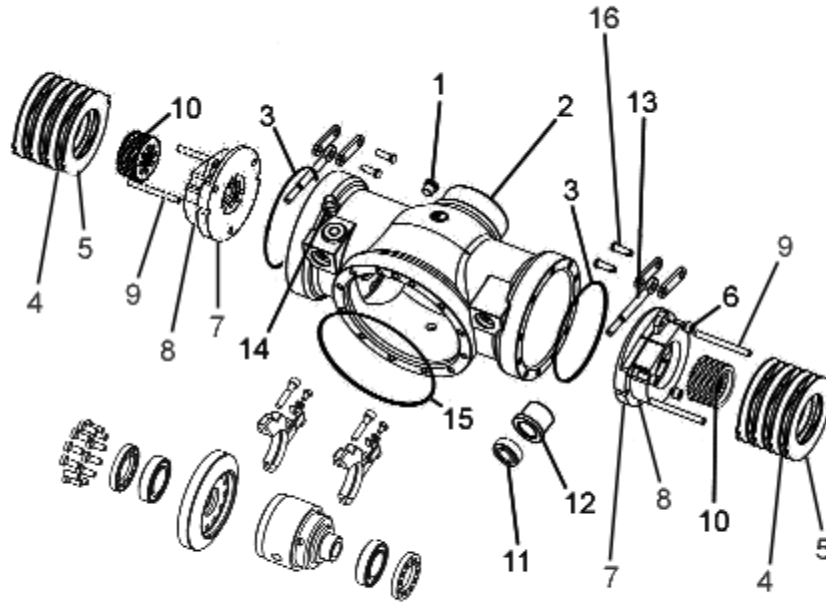


FIGURE	REFERENCE	DENOMINATION	AMOUNT
001	80.01035.01	CAP	1
002	70.03411.00	DIFFERENTIAL HOUSING	1
003	201.13525.50	O-RING DIN3770	2
004	70.03452.00	BRAKE DISC D59	6
005	70.03451.00	BRAKE DISC D70	8
006	601.08020.86	SCREW DIN912	6
007	70.03448.01	CYLINDER BODY	2
008	70.03449.01	CYLINDER BODY	2
009	70.03455.00	AXLE	4
010	70.03450.00	COUPLING	2
011	202.00908.50	SEAL DIN3760	2
013	70.03456.00	BRAKE AXLE D10XM8X108	2
014	20.03104.00	CAP	1
015	201.16525.50	GASKET DIN3770 165X2.5	1
016	70.03458.00	BRAKE AXLE D8XD11X27	4
017	70.03457.00	BRAKE SUP. 5X16X55	4

TRANSMISSION (FRONT AXLE)

WHEEL HUB (PART 1)

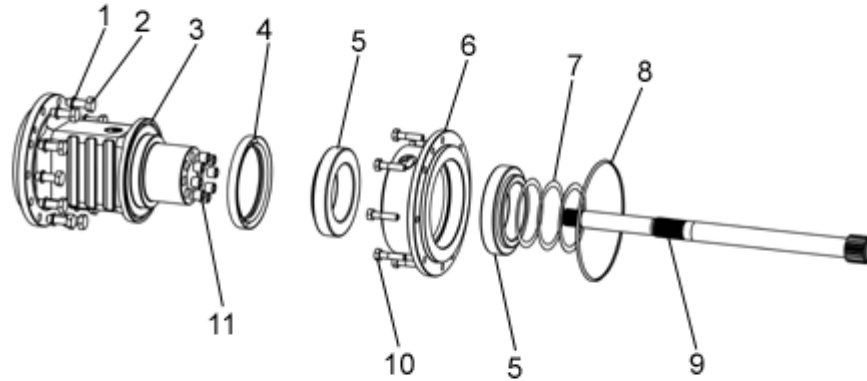


FIGURE	REFERENCE	DENOMINATION	AMOUNT
001	104.10000.00	WASHER DIN7980 D10	12
002	603.10030.86	SCREW DIN933	12
003	70.03413.00	BELLMOUTH (D 85/100/120)	1
004	216.09512.50	SEAL	1
005	307.75025.00	BEARING	1
006	70.03415.00	WHEEL HUB	1
007	10.16352.00	REGUL SKIM	3
008	201.15125.50	O-RING DIN3770	1
009	70.03440.00	BEARING AXLE	1
010	604.08035.86	SCREW DIN931	8
011	70.03461.00	BUSHING 8x13x11,3	8

TRANSMISSION (FRONT AXLE)

WHEEL HUB (PART 2)

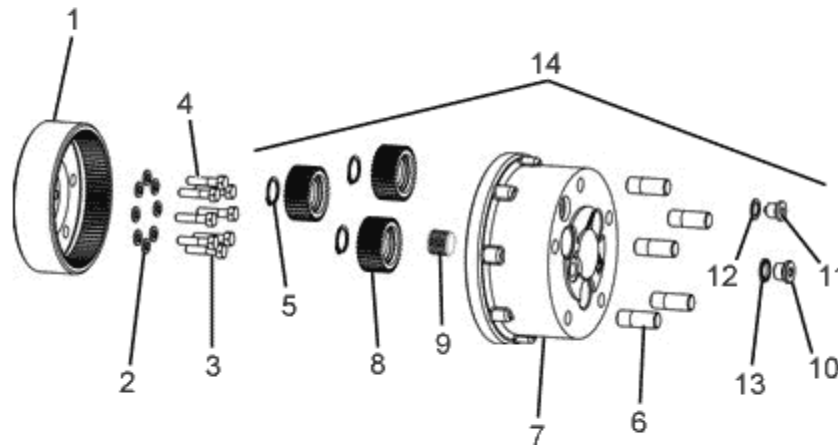


FIGURE	REFERENCE	DENOMINATION	AMOUNT
001	70.03422.00	CROWN	2
002	104.08000.00	WASHER DIN7980 D8	16
003	604.08035.96	BOLT DIN931 M8x35 12K	14
004	603.08025.96	SCREW	2
005	904.24000.00	RING DIN471 E24	6
006	70.03414.00	STUD 47 M16X1,5	10
007	70.03416.05	REDUCTION CASE	2
008	12.03409.00	GEAR Z33	6
009	70.03432.01	CYL/CYL AXLE D18X16	2
010	60.00802.00	CAP	2
011	10.00921.00	CAP M14X150 DIN908	2
012	08.00317.00	METALLIC GASKET BUNA D3/8	2
013	107.14000.10	WASHER AL 14x20x1.5	2
014	70.34160RE05	COMPLETE WHEEL HUB	2

TRANSMISSION (REAR AXLE)

REAR AXLE

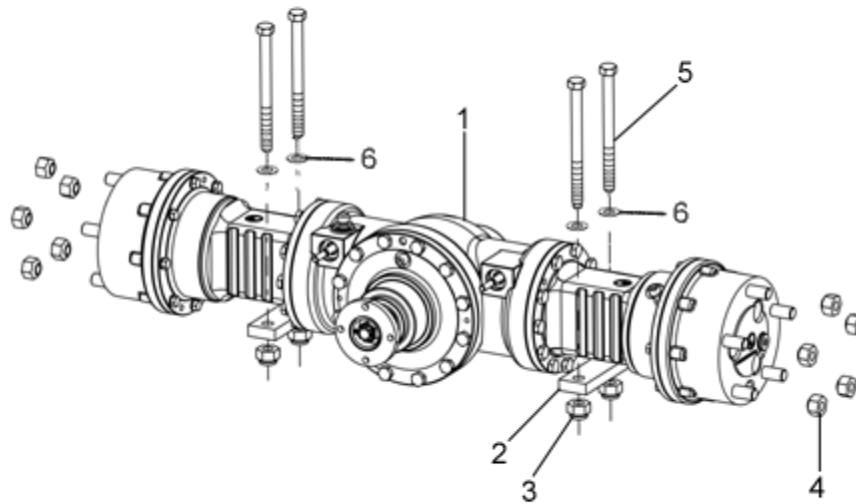


FIGURE	REFERENCE	DENOMINATION	AMOUNT
001	70.03401.00	REAR AXLE	1
002	70.04232.00	SUPPORT	2
003	711.14000.66	NUT DIN982 M14 8.8 K	4
004	45.00588.00	NUT DIN982 M16x1,5	10
005	604.14160.96	BOLT DIN931 M14x160 12K	4
006	01.00227.01	WASHER 14,5x28x5	4

TRANSMISSION (REAR AXLE)

REAR AXLE
CHASSIS: 43404

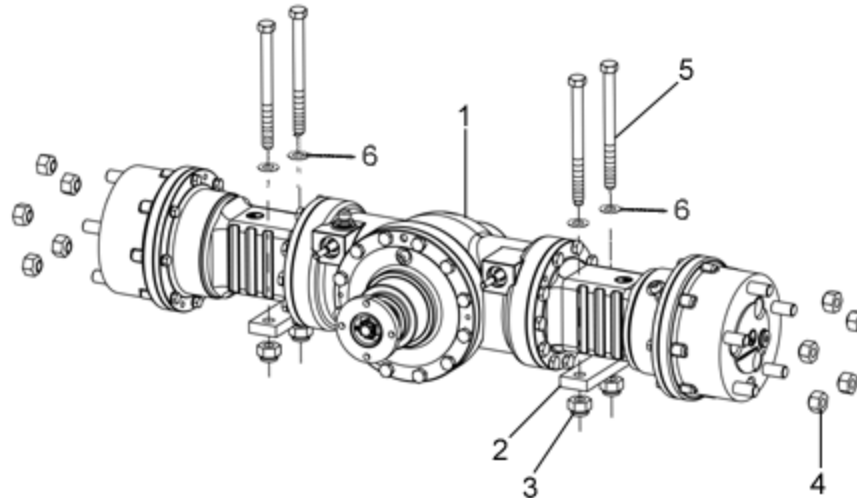


FIGURE	REFERENCE	DENOMINATION	AMOUNT
001	70.03401.02	REAR AXLE (D 85/100/120)	1
002	70.04232.00	SUPPORT	2
003	711.14000.66	NUT DIN982 M14 8.8 K	4
004	45.00588.00	NUT DIN982 M16x1,5	10
005	604.14160.96	BOLT DIN931 M14x160 12K	4
006	01.00227.01	WASHER 14,5x28x5	4

TRANSMISSION (REAR AXLE)

REAR AXLE
CHASSIS: 44031

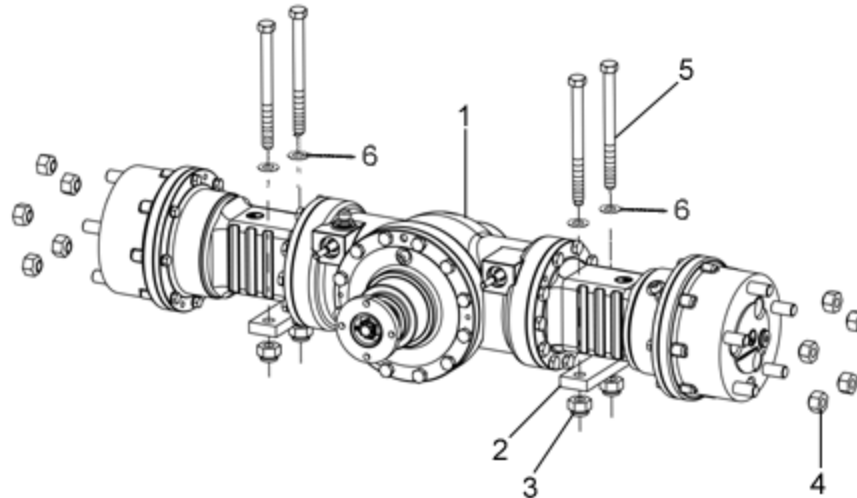


FIGURE	REFERENCE	DENOMINATION	AMOUNT
001	70.03401.03	REAR AXLE (D 85/100/120)	1
002	70.04232.00	SUPPORT	2
003	711.14000.66	NUT DIN982 M14 8.8 K	4
004	45.00588.00	NUT DIN982 M16x1,5	10
005	604.14160.96	BOLT DIN931 M14x160 12K	4
006	01.00227.01	WASHER 14,5x28x5	4

TRANSMISSION (REAR AXLE) DIFFERENTIAL

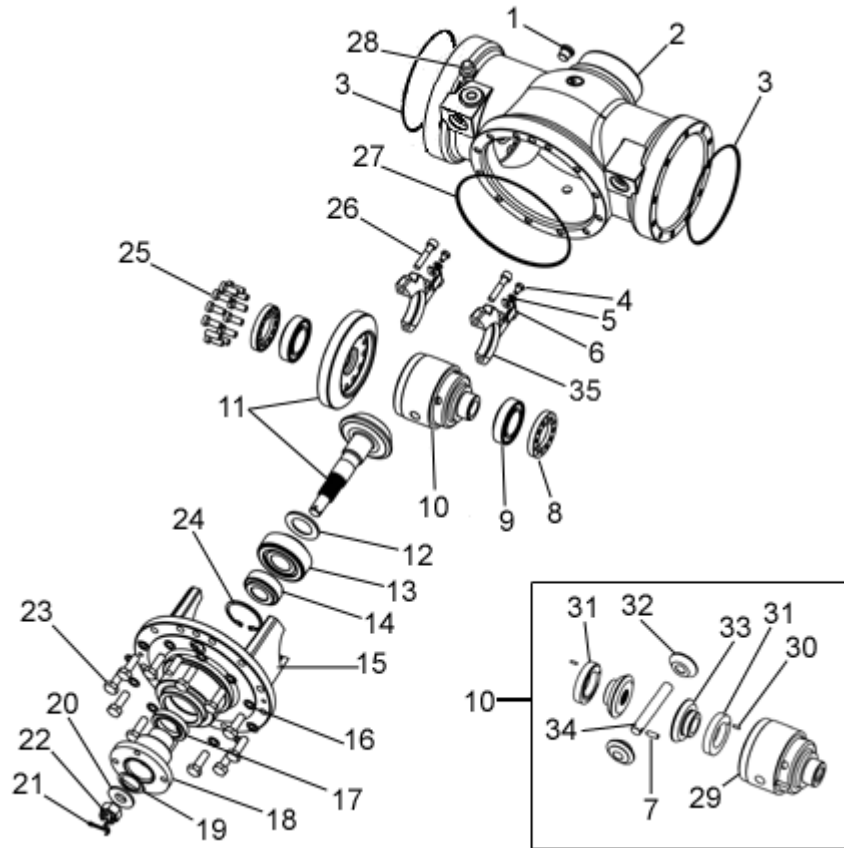


FIGURE	REFERENCE	DENOMINATION	AMOUNT
001	80.01035.01	CAP	1
002	70.03411.00	DIFFERENTIAL HOUSING	1
003	201.13525.50	O-RING DIN3770	2
004	603.06010.86	SCREW DIN933 M6x10	2
005	104.06000.00	WASHER DIN7980 D6	2
006	70.03437.00	FIXATION SUPPORT	2
007	612.06018.86	SCREW DIN814	12
008	70.03434.00	BEARING 9X64X64	2
009	307.35018.00	ROLLING BEARING	1
010	70.03439RE00	COMPLETE DIFFERENTIAL	1
011	70.34001.00		11
012	70.03438.00	WASHER Ø30,5x50x3	1
013	307.30029.00	BEARING DIN720 HM88500	1
014	307.25019.00	BEARING DIN720 32205-B	1
015	70.03410.00	GEAR SUPPORT 205X205X209	12
016	104.10000.00	WASHER DIN7980 D10	1

017	216.03510.50	SEAL	1
018	70.03320.00	CYL/CYL COUPLING 35X90X65	1

TRANSMISSION (REAR AXLE) DIFFERENTIAL

FIGURE	REFERENCE	DENOMINATION	AMOUNT
019	201.33025.50	O-RING DIN3770	1
020	70.03435.00	WASHER Ø16x38x5	1
021	401.03040.60	PIN	1
022	710.16000.66	NUT	12
023	603.10030.86	SCREW DIN933	1
024	905.52000.00	RING 0,5 MM.	10
025	610.08020.96	HEXAGON SOCKET HEAD SCREW DIN6912 M8x20	4
026	601.08040.96	HEXAGON SOCKET HEAD SCREW DIN912 M8x40	1
027	201.16525.50	GASKET DIN3770 165X2.5	1
028	20.03104.00	CAP	1
029	70.03439.00	DIFFERENTIAL HOUSING	1
030	403.10030.00	PIN	2
031	70.03433.00	WASHER Ø35,5x57x10	2
032	70.03425.00	CONICAL GEAR Z10	2
033	70.03426.00	CONICAL GEAR Z16	1
034	70.03424.00	CYL/CYL AXLE	1

TRANSMISSION (REAR AXLE)

DIFFERENTIAL

CHASSIS: 67456

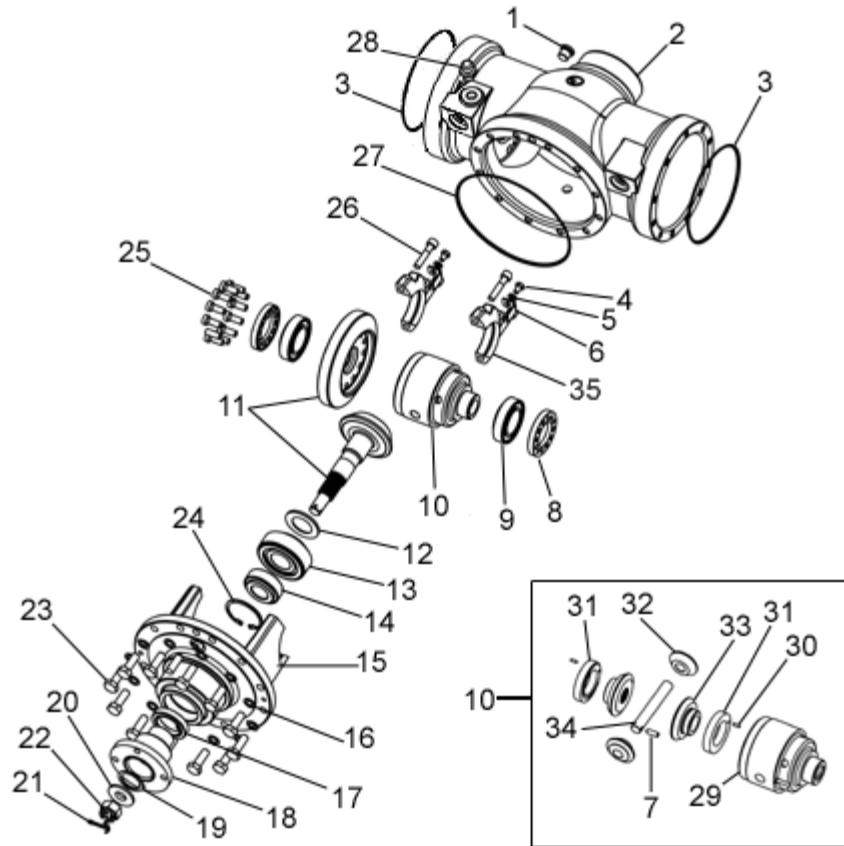


FIGURE	REFERENCE	DENOMINATION	AMOUNT
001	80.01035.01	CAP	1
002	70.03411.00	DIFFERENTIAL HOUSING	1
003	201.13525.50	O-RING DIN3770	2
004	603.06010.86	SCREW DIN933 M6x10	2
005	104.06000.00	WASHER DIN7980 D6	2
006	70.03437.00	FIXATION SUPPORT	2
007	612.06018.86	SCREW DIN814	12
008	70.03434.00	BEARING 9X64X64	2
009	307.35018.00	ROLLING BEARING	2
010	70.03439RE00	COMPLETE DIFFERENTIAL	1
011	70.34001.00		11
012	70.03438.01	WASHER. D30, 5X50X3	1
013	307.30029.01	DIN 720 323 BEARING	1
014	307.25019.00	BEARING DIN720 32205-B	1
015	70.03410.00	GEAR SUPPORT 205X205X209	12
016	104.10000.00	WASHER DIN7980 D10	1

017	216.03510.50	SEAL	1
018	70.03320.00	CYL/CYL COUPLING 35X90X65	1

TRANSMISSION (REAR AXLE)

DIFFERENTIAL

CHASSIS: 67456

FIGURE	REFERENCE	DENOMINATION	AMOUNT
019	201.33025.50	O-RING DIN3770	1
020	70.03435.00	WASHER Ø16x38x5	1
021	401.03040.60	PIN	1
022	710.16000.66	NUT	12
023	603.10030.86	SCREW DIN933	1
024	905.52000.00	RING 0,5 MM.	10
025	610.08020.96	HEXAGON SOCKET HEAD SCREW DIN6912 M8x20	4
026	601.08040.96	HEXAGON SOCKET HEAD SCREW DIN912 M8x40	1
027	201.16525.50	GASKET DIN3770 165X2.5	1
028	20.03104.00	CAP	1
029	70.03439.00	DIFFERENTIAL HOUSING	1
030	403.10030.00	PIN	2
031	70.03433.00	WASHER Ø35,5x57x10	2
032	70.03425.00	CONICAL GEAR Z10	2
033	70.03426.00	CONICAL GEAR Z16	1
034	70.03424.00	CYL/CYL AXLE	1

TRANSMISSION (REAR AXLE)

DIFFERENTIAL

CHASSIS: 70801

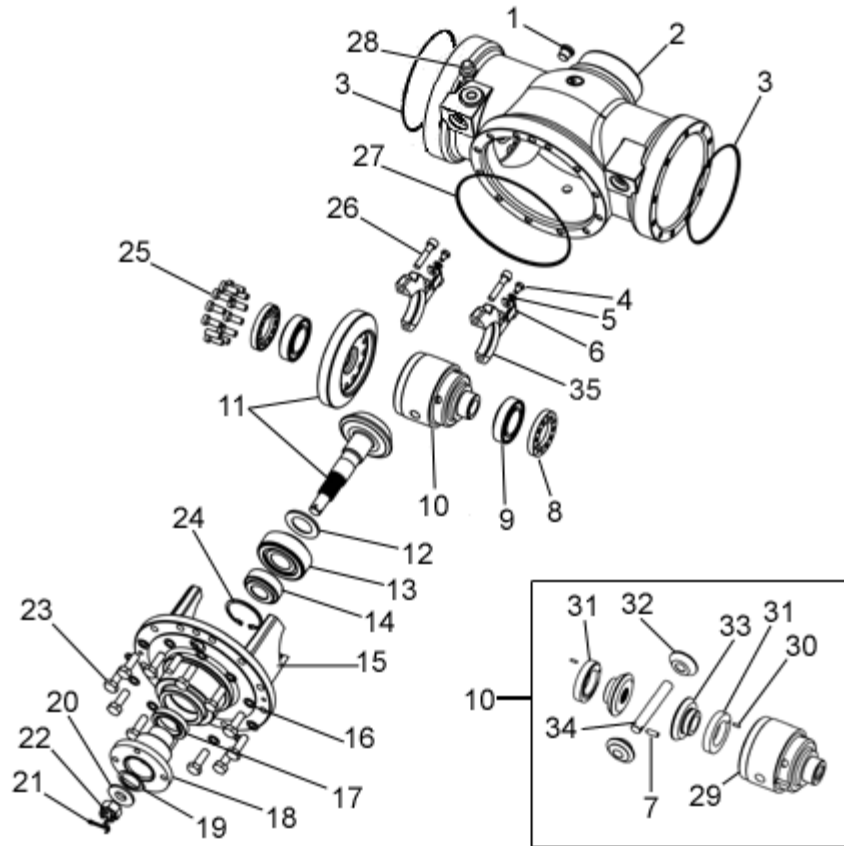


FIGURE	REFERENCE	DENOMINATION	AMOUNT
001	80.01035.01	CAP	1
002	70.03411.00	DIFFERENTIAL HOUSING	1
003	201.13525.50	O-RING DIN3770	2
004	603.06010.86	SCREW DIN933 M6x10	2
005	104.06000.00	WASHER DIN7980 D6	2
006	70.03437.00	FIXATION SUPPORT	2
007	612.06018.86	SCREW DIN814	12
008	70.03434.00	BEARING 9X64X64	2
009	307.35018.00	ROLLING BEARING	2
010	70.03439RE00	COMPLETE DIFFERENTIAL	1
011	70.34001.00		11
012	70.03491.00	WASHER REG. 50X30.5	2
013	307.30029.01	DIN 720 323 BEARING	1
014	307.25019.00	BEARING DIN720 32205-B	1
015	70.03410.01		2
016	104.10000.00	WASHER DIN7980 D10	1

017	216.03510.50	SEAL	1
018	70.03320.00	CYL/CYL COUPLING 35X90X65	1

TRANSMISSION (REAR AXLE)

DIFFERENTIAL

CHASSIS: 70801

FIGURE	REFERENCE	DENOMINATION	AMOUNT
019	201.33025.50	O-RING DIN3770	1
020	70.03435.00	WASHER Ø16x38x5	1
021	401.03040.60	PIN	1
022	710.16000.66	NUT	12
023	603.10030.86	SCREW DIN933	1
024	905.52000.00	RING 0,5 MM.	10
025	610.08020.96	HEXAGON SOCKET HEAD SCREW DIN6912 M8x20	4
026	601.08040.96	HEXAGON SOCKET HEAD SCREW DIN912 M8x40	1
027	201.16525.50	GASKET DIN3770 165X2.5	1
028	20.03104.00	CAP	1
029	70.03439.00	DIFFERENTIAL HOUSING	1
030	403.10030.00	PIN	2
031	70.03433.00	WASHER Ø35,5x57x10	2
032	70.03425.00	CONICAL GEAR Z10	2
033	70.03426.00	CONICAL GEAR Z16	1
034	70.03424.00	CYL/CYL AXLE	1

TRANSMISSION (REAR AXLE)

WHEEL HUB (PART 1)

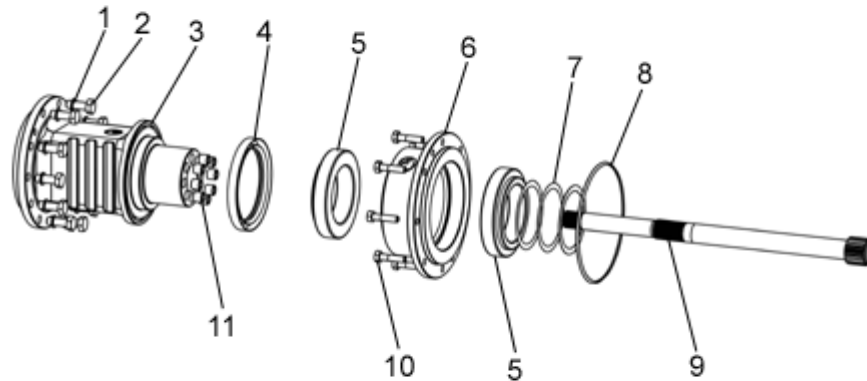


FIGURE	REFERENCE	DENOMINATION	AMOUNT
001	104.10000.00	WASHER DIN7980 D10	12
002	603.10030.86	SCREW DIN933	12
003	70.03413.00	BELLMOUTH (D 85/100/120)	1
004	216.09512.50	SEAL	1
005	307.75025.00	BEARING	1
006	70.03415.00	WHEEL HUB	1
007	10.16352.00	REGUL SKIM	3
008	201.15125.50	O-RING DIN3770	1
009	70.03440.00	BEARING AXLE	1
010	604.08035.86	SCREW DIN931	8
011	70.03461.00	BUSHING 8x13x11,3	8

TRANSMISSION (REAR AXLE) WHEEL HUB

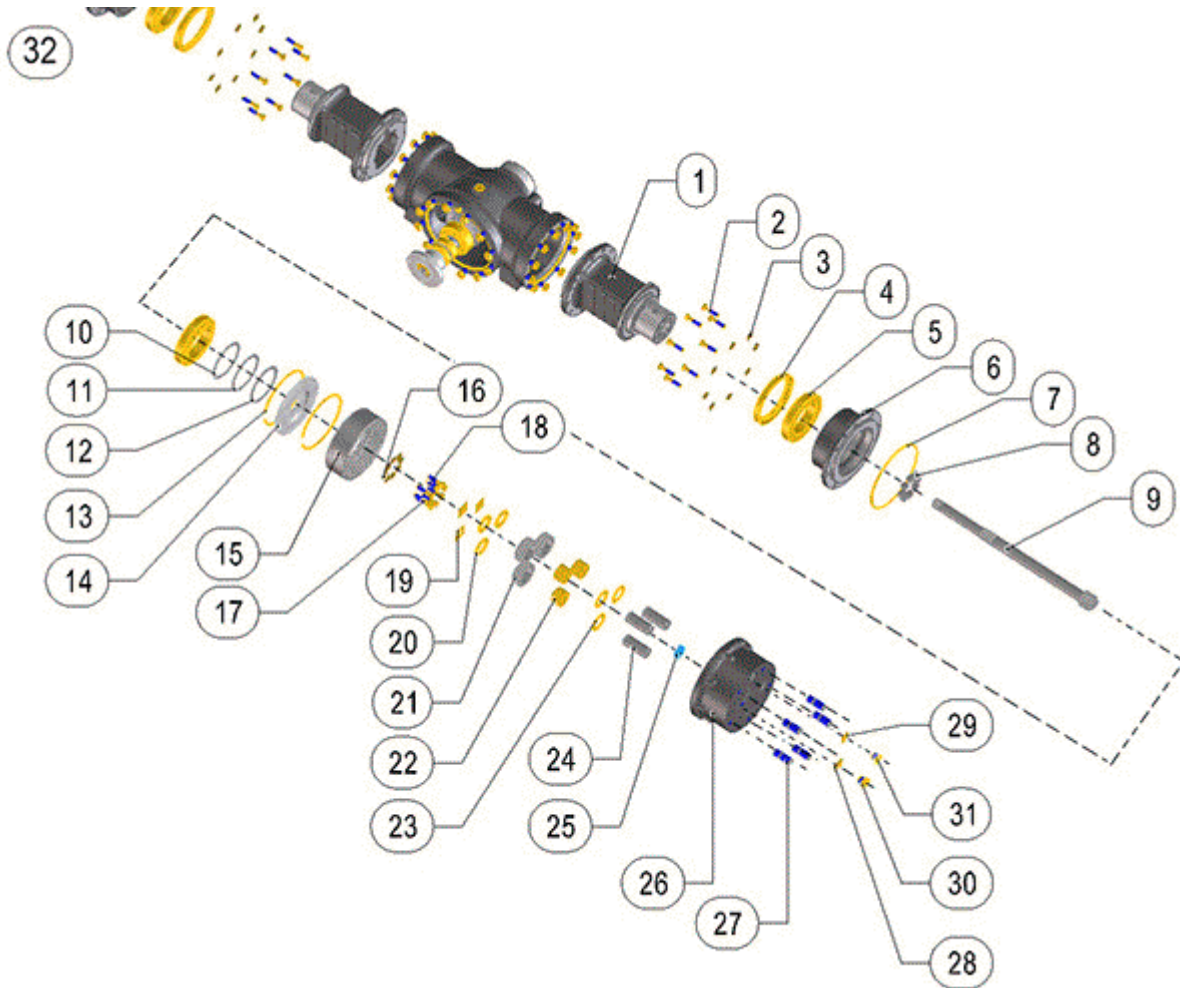


FIGURE	REFERENCE	DENOMINATION	AMOUNT
001	70.03413.00	BELLMOUTH (D 85/100/120)	1
002	604.08035.86	SCREW DIN931	8
003	105.08000.66	CIR-CLIP EXT. DIN7980 D8	8
004	216.09512.50	SEAL	1
005	307.75025.00	BEARING	2
006	70.03415.00	WHEEL HUB	1
007	201.15125.50	O-RING DIN3770	1
008	70.03461.00	BUSHING 8x13x11,3	8
009	70.03440.00	BEARING AXLE	1
010	10.16352.00	REGUL SKIM	1
011	10.16350.00	REGUL SKIM	1
012	10.16351.00	REGUL SKIM	1
013	914.13000.00	RING DIN2200 D130 BR	2

014	70.03441.00	GEAR Z88	1
015	70.03442.00	CROWN GEAR Z88	1
016	105.08000.66	CIR-CLIP EXT. DIN7980 D8	8
017	604.08035.96	BOLT DIN931 M8x35 12K	7
018	603.08025.96	SCREW	1
019	904.25000.00	RING 0,5 MM.	3
020	926.25423.00	DISC	3
021	70.03423.00	GEAR	3
022	910.06238.00	NEEDLE DIN5402 6X23.8	3
023	926.25421.00	DISC	3
024	70.03419.00	AXLE	3
025	70.03432.00	WASHER Ø15x28x4	1
026	70.03416.00	REDUCTION HOUSING	1
027	70.03414.00	STUD 47 M16X1,5	5
028	08.00317.00	METALLIC GASKET BUNA D3/8	1
029	107.14000.10	WASHER AL 14x20x1.5	1
030	60.00802.00	CAP	1
031	10.00921.00	CAP M14X150 DIN908	1
032	70.03404.00	GEARBOX WHEEL	2

TRANSMISSION (REAR AXLE)

WHEEL HUB

CHASSIS: 43404

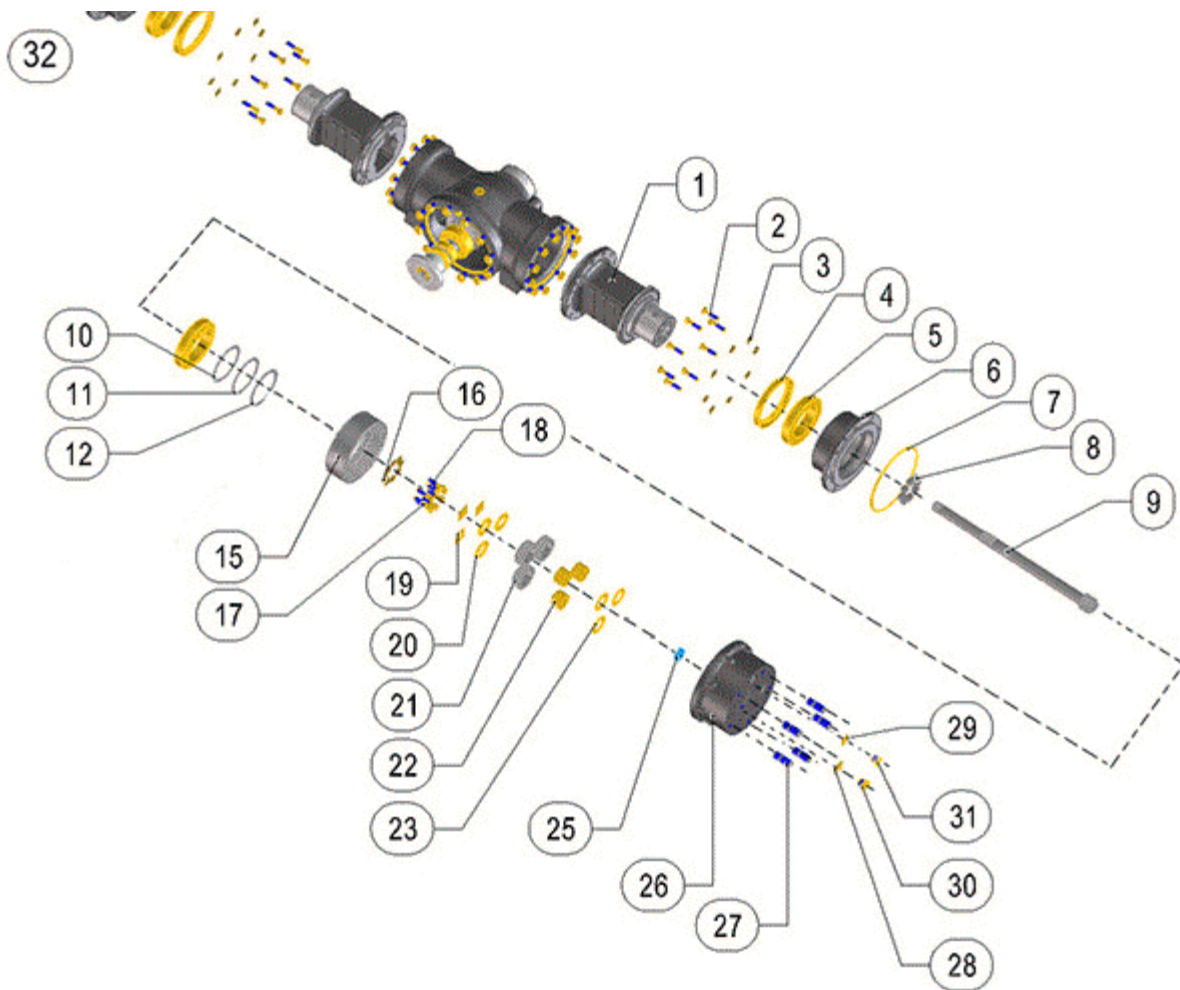


FIGURE	REFERENCE	DENOMINATION	AMOUNT
001	70.03413.00	BELLMOUTH (D 85/100/120)	1
002	604.08035.86	SCREW DIN931	8
003	105.08000.66	CIR-CLIP EXT. DIN7980 D8	8
004	216.09512.50	SEAL	1
005	307.75025.00	BEARING	2
006	70.03415.00	WHEEL HUB	1
007	201.15125.50	O-RING DIN3770	1
008	70.03461.00	BUSHING 8x13x11,3	8
009	70.03440.00	BEARING AXLE	1
010	10.16352.00	REGUL SKIM	1
011	10.16350.00	REGUL SKIM	1
012	10.16351.00	REGUL SKIM	1

015	70.03422.00	CROWN	1
016	105.08000.66	CIR-CLIP EXT. DIN7980 D8	8
017	604.08035.96	BOLT DIN931 M8x35 12K	7
018	603.08025.96	SCREW	1
019	904.25000.00	RING 0,5 MM.	3
020	12.03411.00	RING	3
021	12.03409.00	GEAR Z33	3
022	12.03410.00	NEEDLES BEARING	3
023	12.03411.00	RING	3
025	70.03432.00	WASHER Ø15x28x4	1
026	70.03416.04	TIRE REDUCTION HOSE	1
027	70.03414.00	STUD 47 M16X1,5	5
028	08.00317.00	METALLIC GASKET BUNA D3/8	1
029	107.14000.10	WASHER AL 14x20x1.5	1
030	60.00802.00	CAP	1
031	10.00921.00	CAP M14X150 DIN908	1
032	70.03404.03	GEARBOX WHEEL	2

TRANSMISSION (REAR AXLE) WHEEL HUB (PART 2)

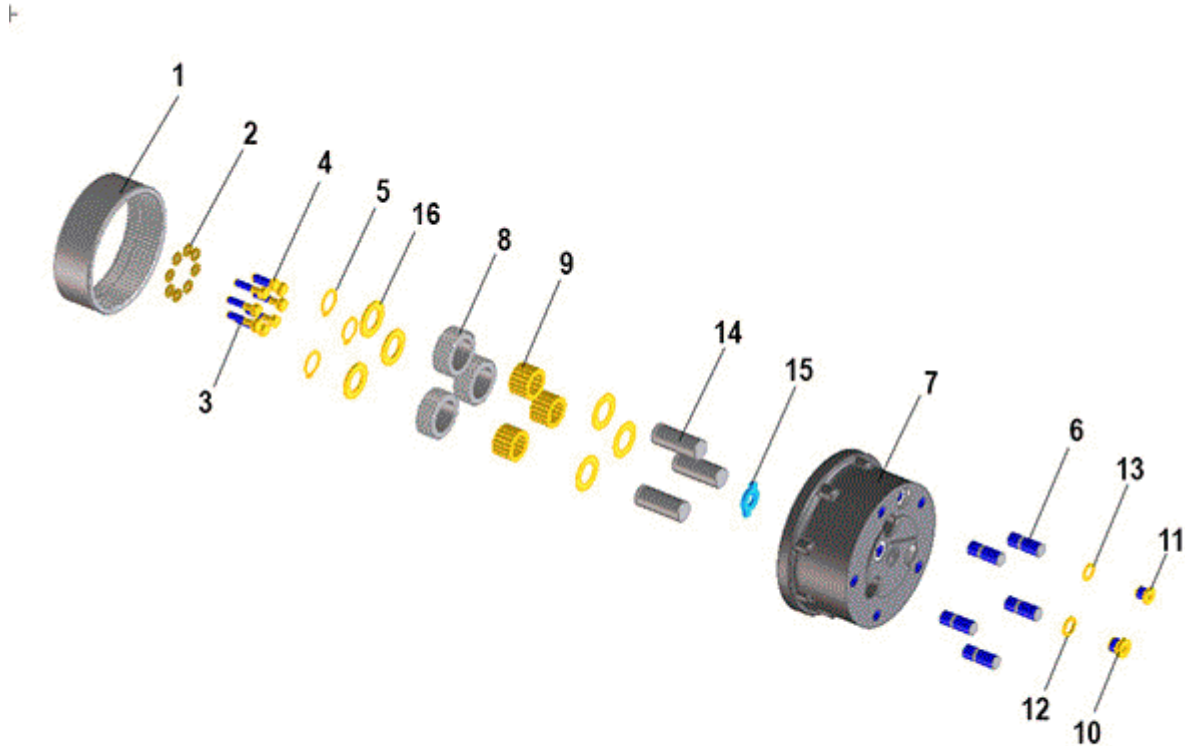


FIGURE	REFERENCE	DENOMINATION	AMOUNT
001	70.03422.00	CROWN	1
002	105.08000.66	CIR-CLIP EXT. DIN7980 D8	8
003	604.08035.96	BOLT DIN931 M8x35 12K	7
004	603.08025.96	SCREW	1
005	904.25000.00	RING 0,5 MM.	3
006	70.03414.00	STUD 47 M16X1,5	5
007	70.03416.00	REDUCTION HOUSING	1
008	70.03423.00	GEAR	3
009	910.06238.00	NEEDLE DIN5402 6X23.8	3
010	60.00802.00	CAP	1
011	10.00921.00	CAP M14X150 DIN908	1
012	08.00317.00	METALLIC GASKET BUNA D3/8	1
013	107.14000.10	WASHER AL 14x20x1.5	1
014	70.03419.00	AXLE	3
015	70.03432.00	WASHER Ø15x28x4	1
016	926.25421.00	DISC	6

TRANSMISSION (REAR AXLE)

WHEEL HUB (PART 2)

CHASSIS: 44031



FIGURE	REFERENCE	DENOMINATION	AMOUNT
001	70.03422.00	CROWN	1
002	104.08000.00	WASHER DIN7980 D8	8
003	604.08035.96	BOLT DIN931 M8x35 12K	7
004	603.08025.96	SCREW	1
005	904.24000.00	RING DIN471 E24	3
006	70.03414.00	STUD 47 M16X1,5	5
007	70.03416.05	REDUCTION CASE	1
008	12.03409.00	GEAR Z33	3
009	70.03432.01	CYL/CYL AXLE D18X16	1
010	60.00802.00	CAP	1
011	10.00921.00	CAP M14X150 DIN908	1
012	08.00317.00	METALLIC GASKET BUNA D3/8	1
013	107.14000.10	WASHER AL 14x20x1.5	1
014	70.34160RE05	COMPLETE WHEEL HUB	1

04. CHASSIS

CHASSIS

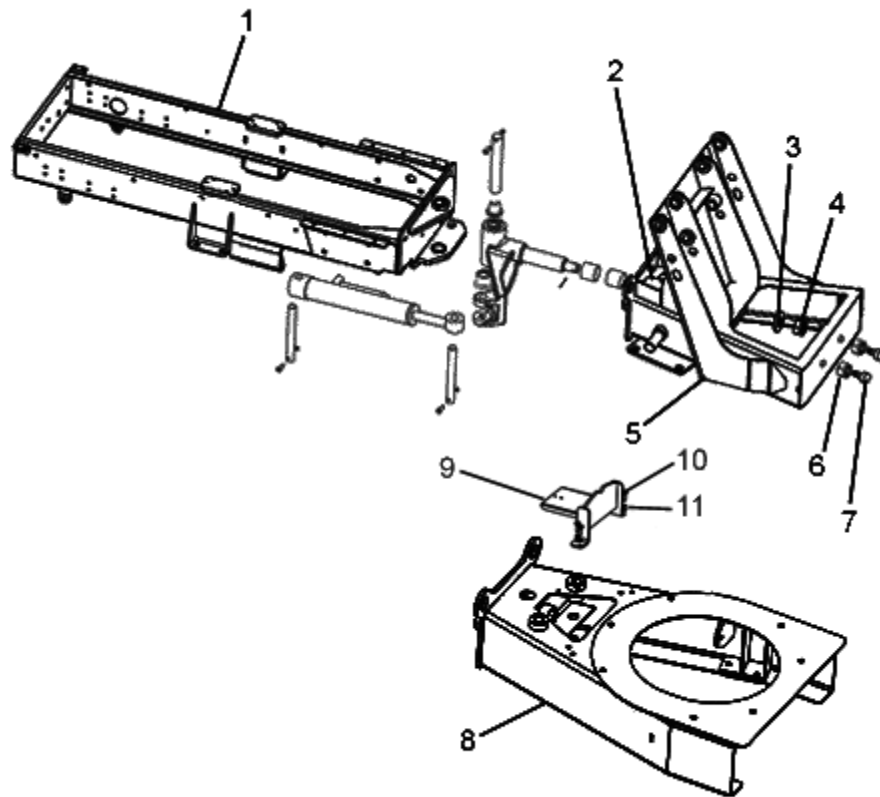


FIGURE	REFERENCE	DENOMINATION	AMOUNT
001	70.04100.00	FRAME, REAR 1575x820x670	1
002	901.08000.33	GREASER DIN71412-A M8x1,25	2
003	70.04402.00	WASHER Ø32xØ70x10	1
004	604.08060.86	SCREW DIN931 M8x60	1
005	N/S	NOT DISTRIBUTED	1
006	701.16000.66	NUT	2
007	70.09067.00	AXLE	2
008	N/S	NOT DISTRIBUTED	1
009	70.09022.00	STRIGHT SUPPORT 50X138X368	1
010	603.10030.86	SCREW DIN933	4
011	104.10000.00	WASHER DIN7980 D10	4

04. CHASSIS

CHASSIS

CHASSIS: 49610

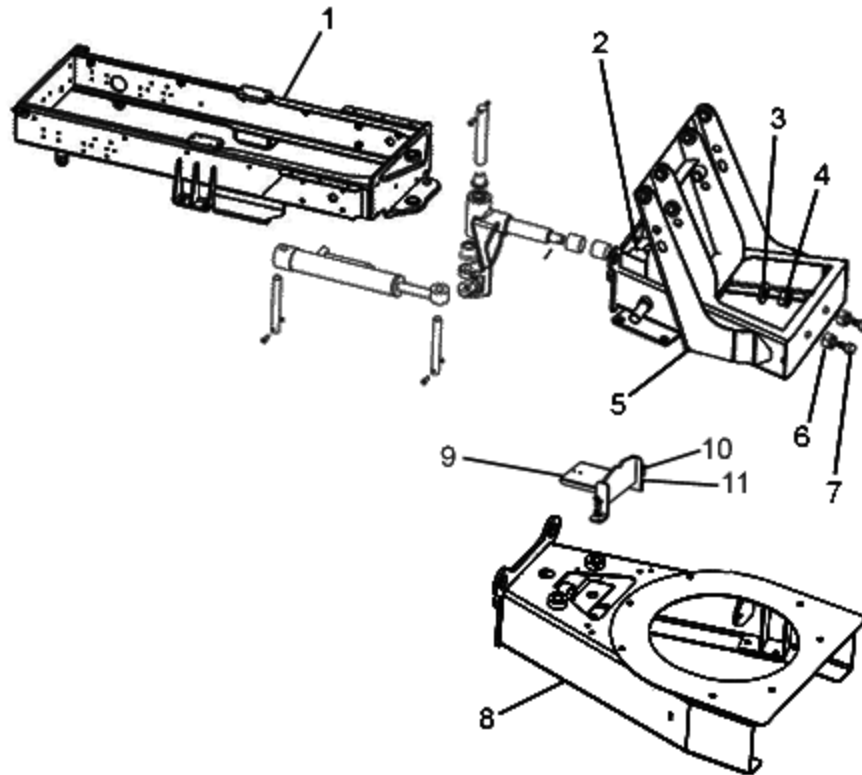


FIGURE	REFERENCE	DENOMINATION	AMOUNT
001	70.04100.01	FRAME, REAR 1575x820x670	1
002	901.08000.33	GREASER DIN71412-A M8x1,25	2
003	70.04402.00	WASHER Ø32xØ70x10	1
004	604.08060.86	SCREW DIN931 M8x60	1
005	N/S	NOT DISTRIBUTED	1
006	701.16000.66	NUT	2
007	70.09067.00	AXLE	2
008	N/S	NOT DISTRIBUTED	1
009	70.09022.00	STRIGHT SUPPORT 50X138X368	1
010	603.10030.86	SCREW DIN933	4
011	104.10000.00	WASHER DIN7980 D10	4

04. CHASSIS

CHASSIS

CHASSIS: 59872

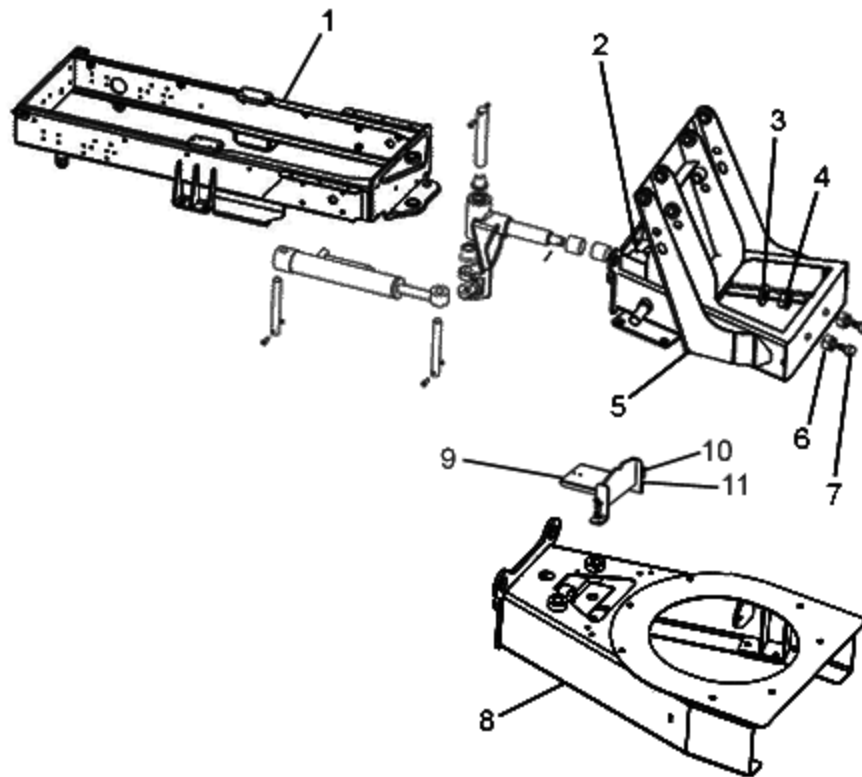


FIGURE	REFERENCE	DENOMINATION	AMOUNT
001	70.04100.02	FRAME, REAR 1575x580x323	1
002	901.08000.33	GREASER DIN71412-A M8x1,25	2
003	70.04402.00	WASHER Ø32xØ70x10	1
004	604.08060.86	SCREW DIN931 M8x60	1
005	70.04210.00	FRONT CHASSIS	1
006	701.16000.66	NUT	2
007	70.09067.00	AXLE	2
008	70.04300.00	ROTATORY HOPPER SUPPORT	1
009	70.09022.00	STRIGHT SUPPORT 50X138X368	1
010	603.10030.86	SCREW DIN933	4
011	104.10000.00	WASHER DIN7980 D10	4

04. CHASSIS

CHASSIS AXLE

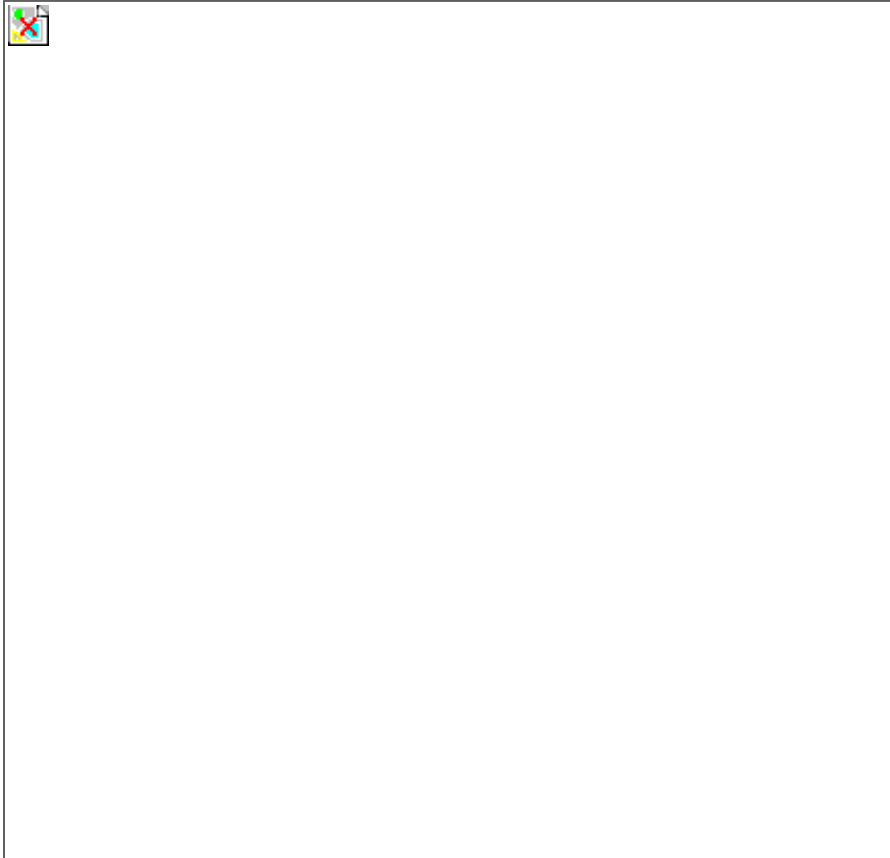


FIGURE	REFERENCE	DENOMINATION	AMOUNT
001	720.08000.66	NUT DIN985 M8 AUTOLOCKING	3
002	601.08065.86	SCREW DIN912 M8x65	3
003	70.04222.00	CYL/CPA AXLE	1
004	70.04231.00	BUSH 35X45X40	2
005	949.05050.00	BUSHING 50x55x50 DIN 1494	2
006	401.05060.60	PIN	1
007	70.04400.04	CENTRAL ARTICULATED SUPPORT	1
008	70.09065.00	CYL/CPA AXLE	1
009	70.09050.00	CYLINDER	1
010	70.09056.00	AXLE	1
011	70.99110RE00	GASKET SET	1
012	201.05003.50	SCREW DIN933	1
013	201.04804.50	SEALED	1
014	70.04402.00	WASHER Ø32xØ70x10	1
015	01.01319.00	NUT DIN935 M30x2x30	1
016	70.04405.00	RING 50x12x78	1



017

70.44000RE04

CENTRAL ARTICULATED SUPPORT

1

04. CHASSIS

CHASSIS AXLE

CHASSIS: 47838

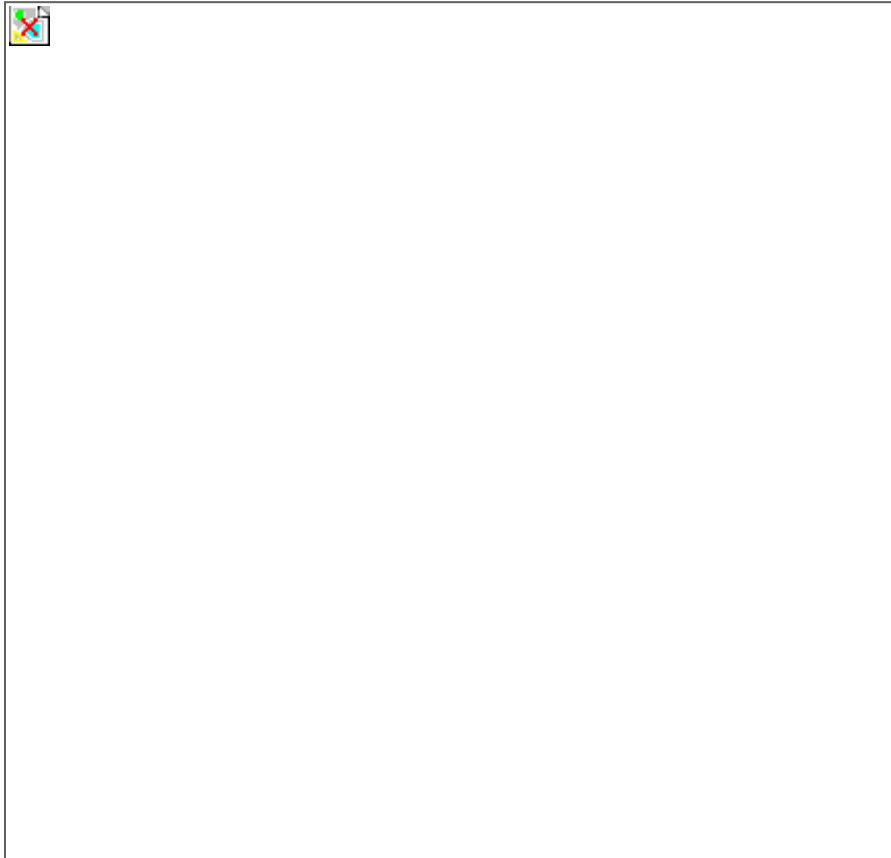


FIGURE	REFERENCE	DENOMINATION	AMOUNT
001	720.08000.66	NUT DIN985 M8 AUTOLOCKING	3
002	601.08065.86	SCREW DIN912 M8x65	3
003	70.04222.00	CYL/CPA AXLE	1
004	70.04231.00	BUSH 35X45X40	2
005	949.05050.00	BUSHING 50x55x50 DIN 1494	2
006	401.05060.60	PIN	1
007	70.04400.04	CENTRAL ARTICULATED SUPPORT	1
008	70.09065.00	CYL/CPA AXLE	1
009	70.09050.00	CYLINDER	1
010	70.09056.00	AXLE	1
011	70.99110RE00	GASKET SET	1
012	201.05003.50	SCREW DIN933	1
013	201.04804.50	SEALED	1
014	70.04402.00	WASHER Ø32xØ70x10	1
015	01.01319.00	NUT DIN935 M30x2x30	1
016	70.04405.00	RING 50x12x78	1



017

70.44000RE04

CENTRAL ARTICULATED SUPPORT

1

04. CHASSIS

CHASSIS AXLE

CHASSIS: 52508

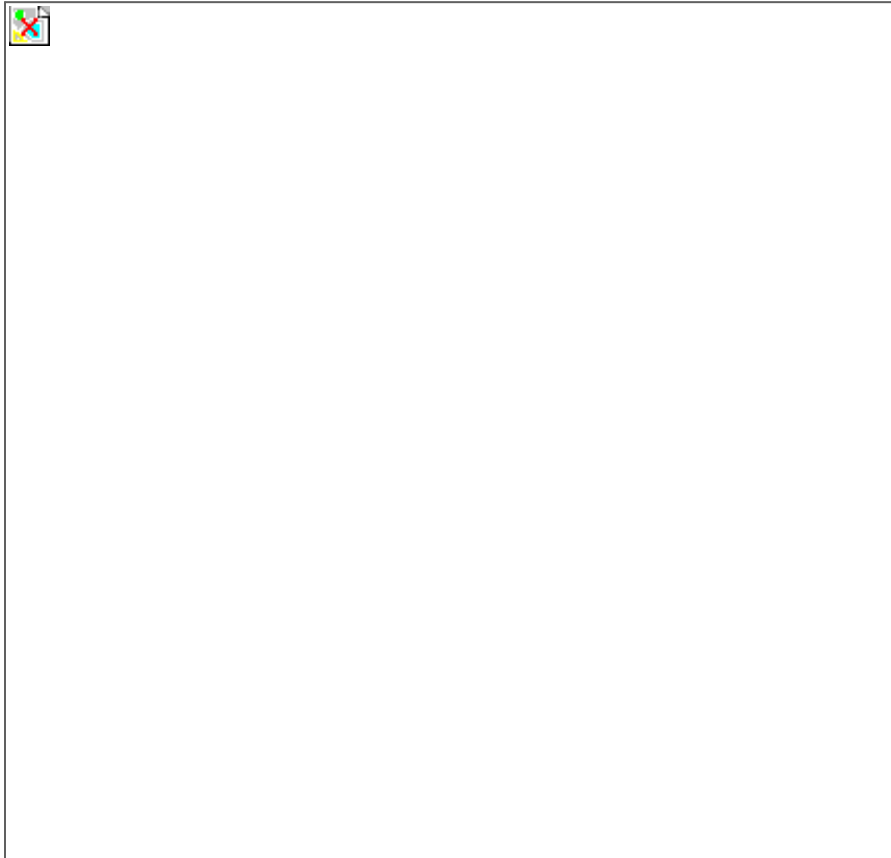


FIGURE	REFERENCE	DENOMINATION	AMOUNT
001	720.08000.66	NUT DIN985 M8 AUTOLOCKING	3
002	601.08065.86	SCREW DIN912 M8x65	3
003	70.04222.00	CYL/CPA AXLE	1
004	70.04231.00	BUSH 35X45X40	2
005	949.05050.00	BUSHING 50x55x50 DIN 1494	2
006	401.05060.60	PIN	1
007	70.04400.04	CENTRAL ARTICULATED SUPPORT	1
008	70.09065.00	CYL/CPA AXLE	1
009	70.09050.00	CYLINDER	1
010	70.09056.00	AXLE	1
011	70.99110RE00	GASKET SET	1
012	201.05003.50	SCREW DIN933	1
013	201.04804.50	SEALED	1
014	70.04402.00	WASHER Ø32xØ70x10	1
015	01.01319.00	NUT DIN935 M30x2x30	1
016	70.04405.00	RING 50x12x78	1



017

70.44000RE04

CENTRAL ARTICULATED SUPPORT

1

04. CHASSIS

CHASSIS AXLE

CHASSIS: 84612

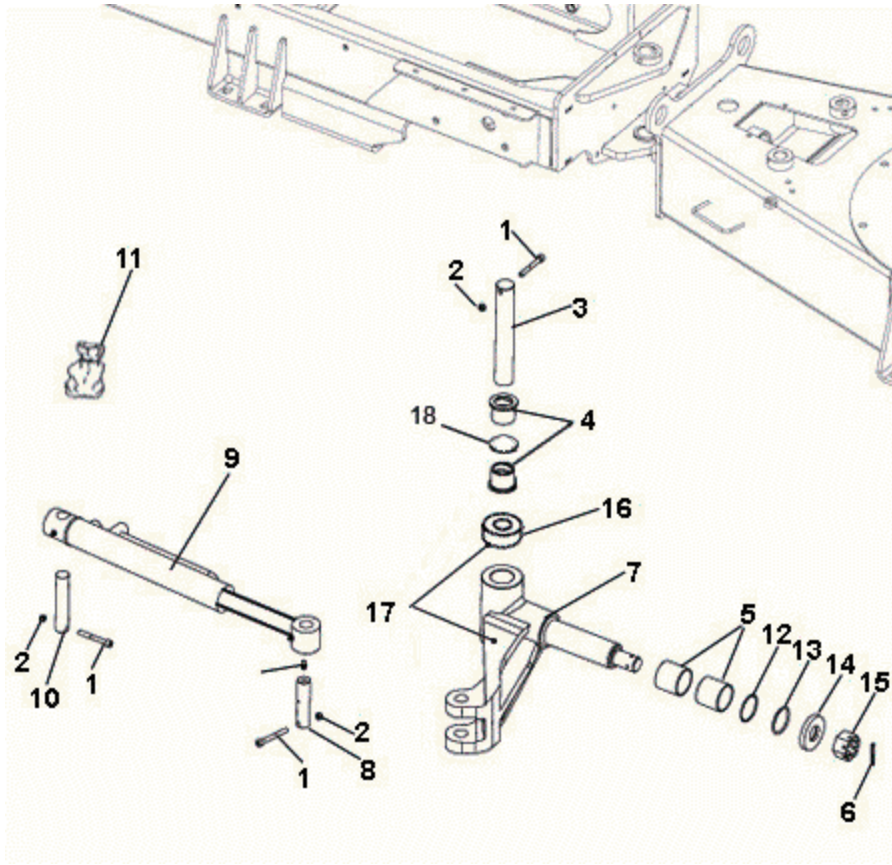


FIGURE	REFERENCE	DENOMINATION	AMOUNT
001	720.08000.66	NUT DIN985 M8 AUTOLOCKING	3
002	601.08065.86	SCREW DIN912 M8x65	3
003	70.04222.00	CYL/CPA AXLE	1
004	70.04231.00	BUSH 35X45X40	2
005	949.05050.00	BUSHING 50x55x50 DIN 1494	2
006	401.05060.60	PIN	1
007	70.04400.04	CENTRAL ARTICULATED SUPPORT	1
008	70.09065.00	CYL/CPA AXLE	1
009	70.09050.00	CYLINDER	1
010	70.09056.00	AXLE	1
011	70.99110RE00	GASKET SET	1
012	201.05003.50	SCREW DIN933	1
013	201.04804.50	SEALED	1
014	70.04402.00	WASHER Ø32xØ70x10	1
015	01.01319.00	NUT DIN935 M30x2x30	1
016	70.04405.00	RING 50x12x78	1



017	70.44000RE04	CENTRAL ARTICULATED SUPPORT	1
018	70.04222.00	CYL/CPA AXLE	1

04. CHASSIS

SURELY ANTITURN

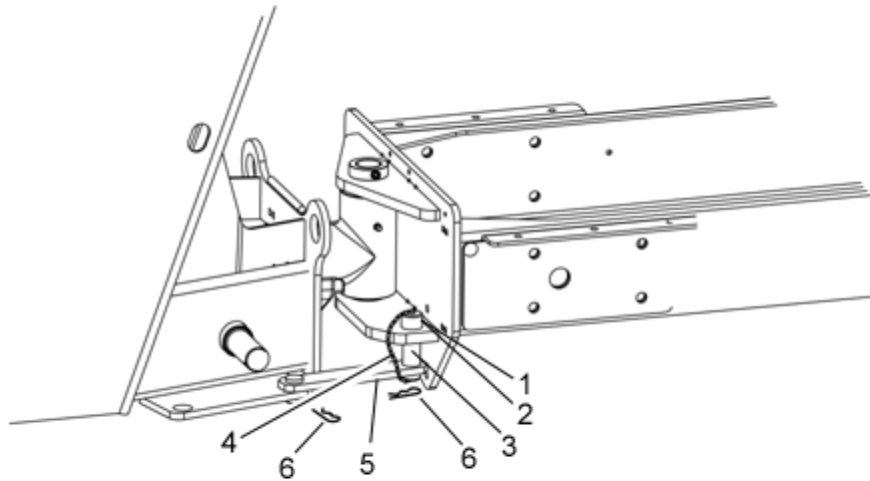


FIGURE	REFERENCE	DENOMINATION	AMOUNT
001	603.05010.86	SCREW DIN933 M5x10	1
002	104.05000.00	WASHER DIN7980 D5	1
003	70.09036.00	AXLE	1
004	15.00834.00	CHAIN	1
005	70.04020.00	CONNECTING ROD	1
006	15.00836.00	PIN DIN11024 R4	2

05. BRAKE ACTIVATION BRAKE (AHA)

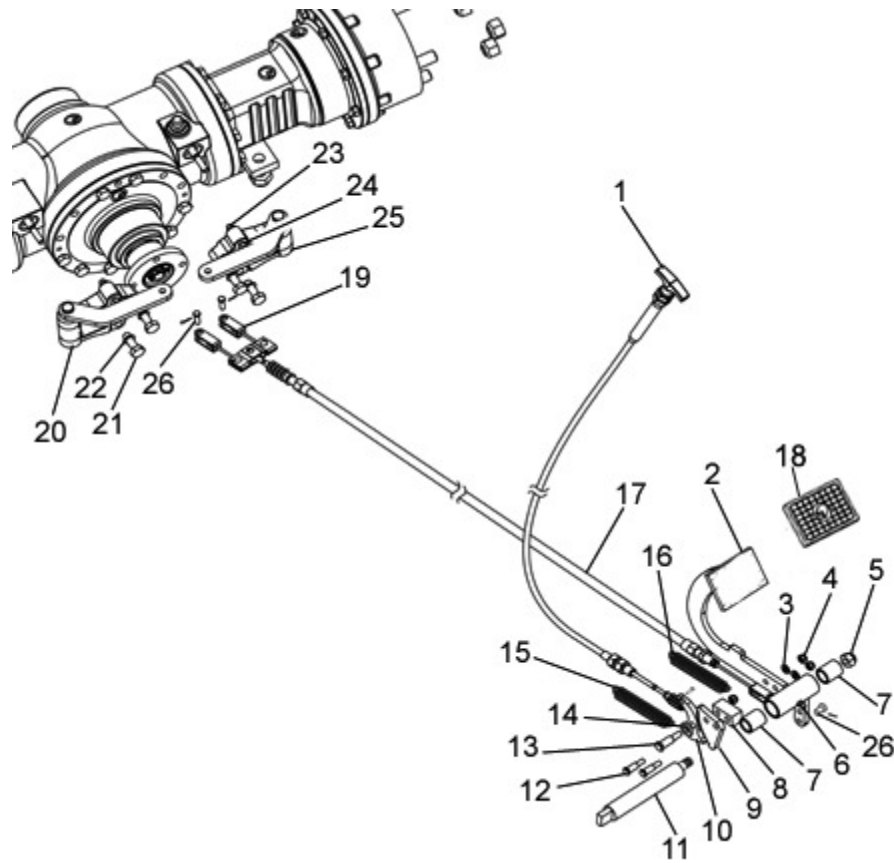


FIGURE	REFERENCE	DENOMINATION	AMOUNT
001	70.05015.00	BRAKE CABLE 1415	1
002	70.05130.00	BRAKE PEDAL	1
003	101.08000.66	WASHER DIN125 D8	2
004	711.08000.66	NUT DIN982 M8	2
005	711.12000.66	NUT DIN982 M12	1
006	901.08000.33	GREASER DIN71412-A M8x1,25	1
007	923.18030.00	BEARING	2
008	70.08071.00	THICK	1
009	70.08070.00	THICK	1
010	70.08072.00	BRAKE CLAMP	1
011	45.00520.00	AXLE COR/ROS	1
012	604.08050.86	SCREW DIN931	2
013	01.00309.00	SCREW DIN933*	1
014	01.00345.00	WASHER DIN1441*	2
015	70.05040.00	SPRING TENSION 9.5X12X91	1
016	60.00322.00	SPRING TENSION	1

017	70.08075.00	BRAKE CABLE	1
018	43.07310.01	PANEL	1

05. BRAKE ACTIVATION BRAKE (AHA)

FIGURE	REFERENCE	DENOMINATION	AMOUNT
019	70.08073.00	BRAKE CABLE ADAPTER	2
020	70.05031.00	LEFT BRAKE LEVER	1
021	604.10050.86	BOLT DIN931 M10x50	4
022	104.10000.00	WASHER DIN7980 D10	4
023	701.08000.66	NUT DIN934 M8x1,25	2
024	603.08040.86	SCREW DIN933	2
025	70.05030.00	RIGHT BRAKE LEVER	1
026	01.00514.02	AXLE CIL/CPA	2

05. BRAKE ACTIVATION

BRAKE (AHA)

CHASSIS: 50643

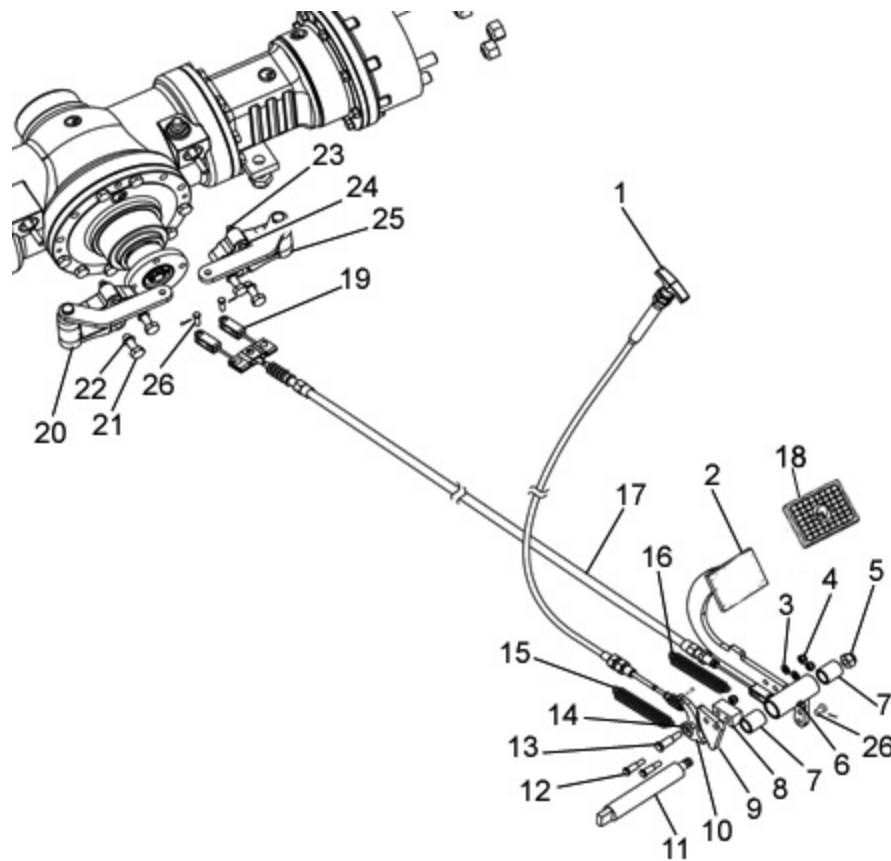


FIGURE	REFERENCE	DENOMINATION	AMOUNT
001	70.05015.00	BRAKE CABLE 1415	1
002	70.05130.00	BRAKE PEDAL	1
003	101.08000.66	WASHER DIN125 D8	2
004	711.08000.66	NUT DIN982 M8	2
005	711.12000.66	NUT DIN982 M12	1
006	901.08000.33	GREASER DIN71412-A M8x1,25	1
007	923.18030.00	BEARING	2
008	70.08071.00	THICK	1
009	70.08070.00	THICK	1
010	70.08072.00	BRAKE CLAMP	1
011	45.00520.00	AXLE COR/ROS	1
012	604.08050.86	SCREW DIN931	2
013	01.00309.00	SCREW DIN933*	1
014	01.00345.00	WASHER DIN1441*	2
015	70.05040.00	SPRING TENSION 9.5X12X91	1
016	60.00322.00	SPRING TENSION	1

017	70.08075.02	BRAKE CABLE D3.5X901.5	1
018	43.07310.01	PANEL	1

05. BRAKE ACTIVATION

BRAKE (AHA)

CHASSIS: 50643

FIGURE	REFERENCE	DENOMINATION	AMOUNT
019	70.08073.00	BRAKE CABLE ADAPTER	2
020	70.05031.00	LEFT BRAKE LEVER	1
021	604.10050.86	BOLT DIN931 M10x50	4
022	104.10000.00	WASHER DIN7980 D10	4
023	701.08000.66	NUT DIN934 M8x1,25	2
024	603.08040.86	SCREW DIN933	2
025	70.05030.00	RIGHT BRAKE LEVER	1
026	01.00514.02	AXLE CIL/CPA	2

05. BRAKE ACTIVATION

BRAKE (AHA)

CHASSIS: 72067

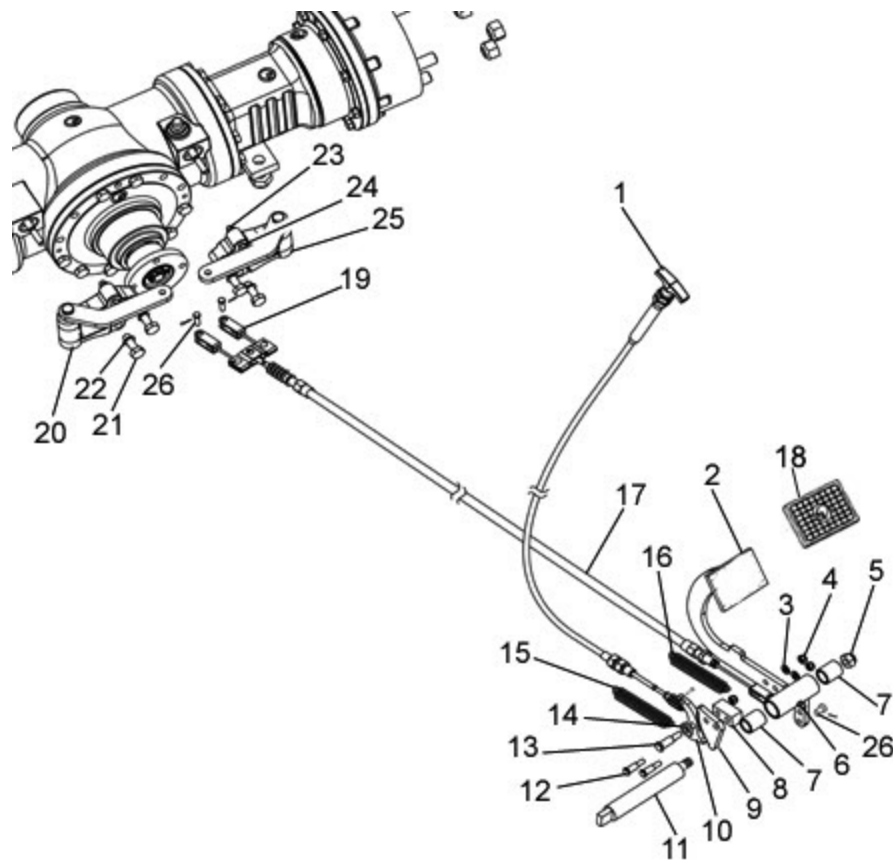


FIGURE	REFERENCE	DENOMINATION	AMOUNT
001	70.05015.01	HANDBRAKE CABLE 1415	1
002	70.05130.00	BRAKE PEDAL	1
003	101.08000.66	WASHER DIN125 D8	2
004	711.08000.66	NUT DIN982 M8	2
005	711.12000.66	NUT DIN982 M12	1
006	901.08000.33	GREASER DIN71412-A M8x1,25	1
007	923.18030.00	BEARING	2
008	70.08071.00	THICK	1
009	70.08070.00	THICK	1
010	70.08072.00	BRAKE CLAMP	1
011	45.00520.00	AXLE COR/ROS	1
012	604.08050.86	SCREW DIN931	2
013	01.00309.00	SCREW DIN933*	1
014	01.00345.00	WASHER DIN1441*	2
015	70.05040.00	SPRING TENSION 9.5X12X91	1
016	60.00322.00	SPRING TENSION	1

017	70.08075.02	BRAKE CABLE D3.5X901.5	1
018	43.07310.01	PANEL	1
019	70.08073.00	BRAKE CABLE ADAPTER	2
020	70.05031.00	LEFT BRAKE LEVER	1
021	604.10050.86	BOLT DIN931 M10x50	4
022	104.10000.00	WASHER DIN7980 D10	4
023	701.08000.66	NUT DIN934 M8x1,25	2
024	603.08040.86	SCREW DIN933	2
025	70.05030.00	RIGHT BRAKE LEVER	1
026	01.00514.02	AXLE CIL/CPA	2

05. BRAKE ACTIVATION BRAKE (AHG)

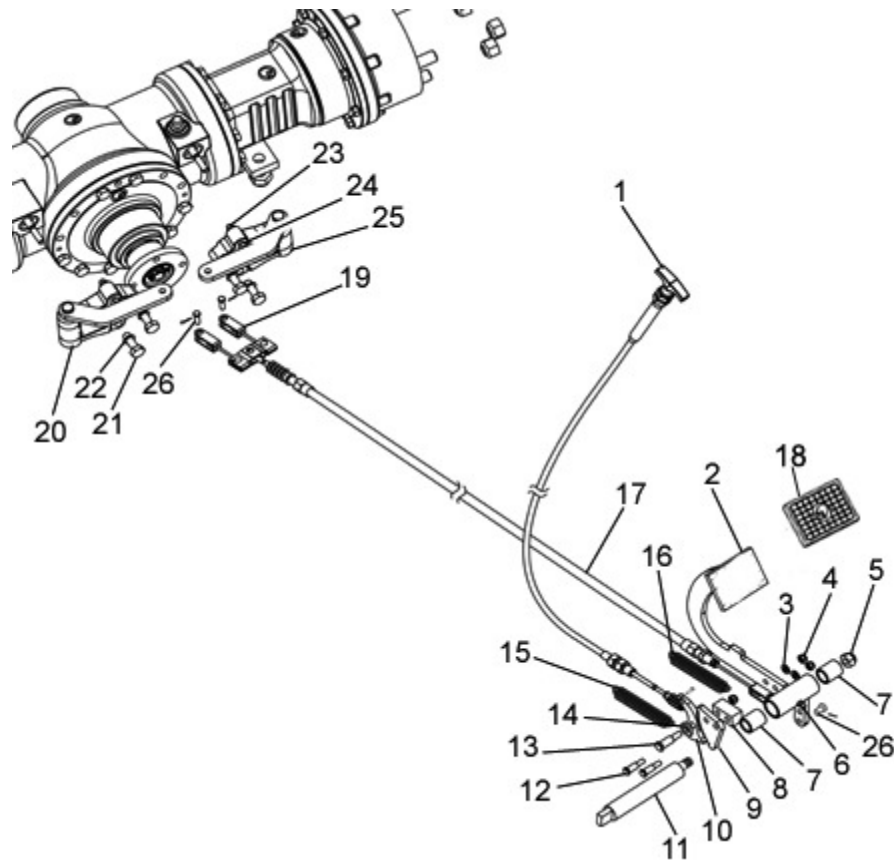


FIGURE	REFERENCE	DENOMINATION	AMOUNT
001	70.05015.00	BRAKE CABLE 1415	1
002	70.05130.00	BRAKE PEDAL	1
003	101.08000.66	WASHER DIN125 D8	2
004	711.08000.66	NUT DIN982 M8	2
005	711.12000.66	NUT DIN982 M12	1
006	901.08000.33	GREASER DIN71412-A M8x1,25	1
007	923.18030.00	BEARING	2
008	70.08071.00	THICK	1
009	70.08070.00	THICK	1
010	70.08072.00	BRAKE CLAMP	1
011	45.00520.00	AXLE COR/ROS	1
012	604.08050.86	SCREW DIN931	2
013	01.00309.00	SCREW DIN933*	1
014	01.00345.00	WASHER DIN1441*	2
015	70.05040.00	SPRING TENSION 9.5X12X91	1
016	60.00322.00	SPRING TENSION	1

017	70.08075.00	BRAKE CABLE	1
018	43.07310.01	PANEL	1

05. BRAKE ACTIVATION BRAKE (AHG)

FIGURE	REFERENCE	DENOMINATION	AMOUNT
019	70.08073.00	BRAKE CABLE ADAPTER	2
020	70.05031.00	LEFT BRAKE LEVER	1
021	604.10050.86	BOLT DIN931 M10x50	4
022	104.10000.00	WASHER DIN7980 D10	2
023	701.08000.66	NUT DIN934 M8x1,25	2
024	603.08040.86	SCREW DIN933	1
025	70.05030.00	RIGHT BRAKE LEVER	2
026	01.00514.02	AXLE CIL/CPA	1
027	830.01006.00	CLAMP LOOP D10x6	1

05. BRAKE ACTIVATION

BRAKE (AHG)

CHASSIS: 53127

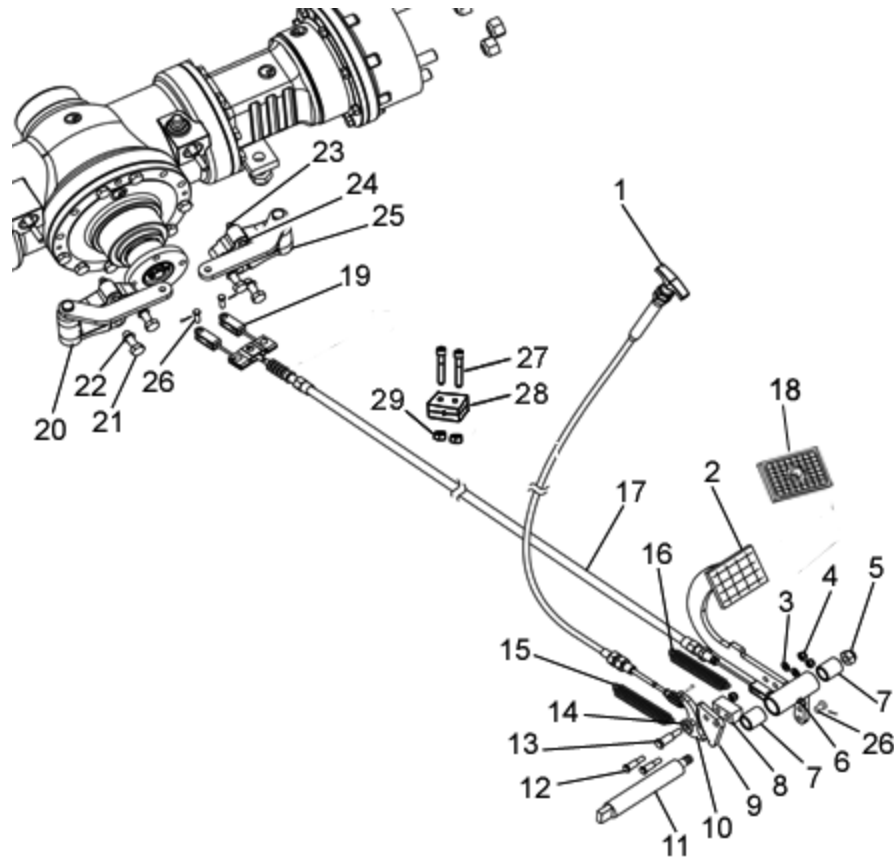


FIGURE	REFERENCE	DENOMINATION	AMOUNT
001	70.05015.00	BRAKE CABLE 1415	1
002	70.05130.00	BRAKE PEDAL	1
003	101.08000.66	WASHER DIN125 D8	2
004	711.08000.66	NUT DIN982 M8	2
005	711.12000.66	NUT DIN982 M12	1
006	901.08000.33	GREASER DIN71412-A M8x1,25	1
007	923.18030.00	BEARING	2
008	70.08071.00	THICK	1
009	70.08070.00	THICK	1
010	70.08072.00	BRAKE CLAMP	1
011	45.00520.00	AXLE COR/ROS	1
012	604.08050.86	SCREW DIN931	2
013	01.00309.00	SCREW DIN933*	1
014	01.00345.00	WASHER DIN1441*	2
015	70.05040.00	SPRING TENSION 9.5X12X91	1
016	60.00322.00	SPRING TENSION	1

017	70.08075.01	BRAKE CABLE D3.5X1121.5	1
018	43.07310.01	PANEL	1

05. BRAKE ACTIVATION

BRAKE (AHG)

CHASSIS: 53127

FIGURE	REFERENCE	DENOMINATION	AMOUNT
019	70.08073.00	BRAKE CABLE ADAPTER	2
020	70.05031.00	LEFT BRAKE LEVER	1
021	604.10050.86	BOLT DIN931 M10x50	4
022	104.10000.00	WASHER DIN7980 D10	2
023	701.08000.66	NUT DIN934 M8x1,25	2
024	603.08040.86	SCREW DIN933	1
025	70.05030.00	RIGHT BRAKE LEVER	2
026	01.00514.02	AXLE CIL/CPA	1
027	601.06035.86	SCREW DIN912	2
028	70.08076.00	HOSE CLAMP SIMPLE Ø14	1
029	701.06000.66	NUT DIN934 M6X1	2

05. BRAKE ACTIVATION

BRAKE (AHG)

CHASSIS: 72067

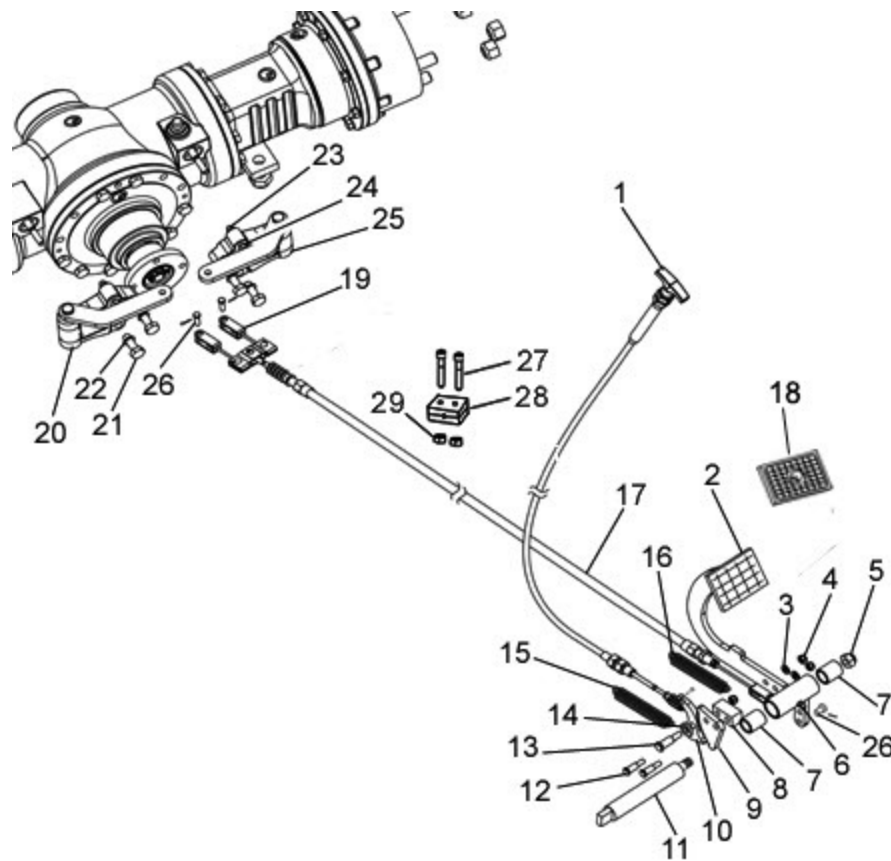


FIGURE	REFERENCE	DENOMINATION	AMOUNT
001	70.05015.01	HANDBRAKE CABLE 1415	1
002	70.05130.00	BRAKE PEDAL	1
003	101.08000.66	WASHER DIN125 D8	2
004	711.08000.66	NUT DIN982 M8	2
005	711.12000.66	NUT DIN982 M12	1
006	901.08000.33	GREASER DIN71412-A M8x1,25	1
007	923.18030.00	BEARING	2
008	70.08071.00	THICK	1
009	70.08070.00	THICK	1
010	70.08072.00	BRAKE CLAMP	1
011	45.00520.00	AXLE COR/ROS	1
012	604.08050.86	SCREW DIN931	2
013	01.00309.00	SCREW DIN933*	1
014	01.00345.00	WASHER DIN1441*	2
015	70.05040.00	SPRING TENSION 9.5X12X91	1
016	60.00322.00	SPRING TENSION	1

017	70.08075.01	BRAKE CABLE D3.5X1121.5	1
018	43.07310.01	PANEL	1
019	70.08073.00	BRAKE CABLE ADAPTER	2
020	70.05031.00	LEFT BRAKE LEVER	1
021	604.10050.86	BOLT DIN931 M10x50	4
022	104.10000.00	WASHER DIN7980 D10	2
023	701.08000.66	NUT DIN934 M8x1,25	2
024	603.08040.86	SCREW DIN933	1
025	70.05030.00	RIGHT BRAKE LEVER	2
026	01.00514.02	AXLE CIL/CPA	1
027	601.06035.86	SCREW DIN912	2
028	70.08076.00	HOSE CLAMP SIMPLE Ø14	1
029	701.06000.66	NUT DIN934 M6X1	2

06. STEERING

DRIVE PINION

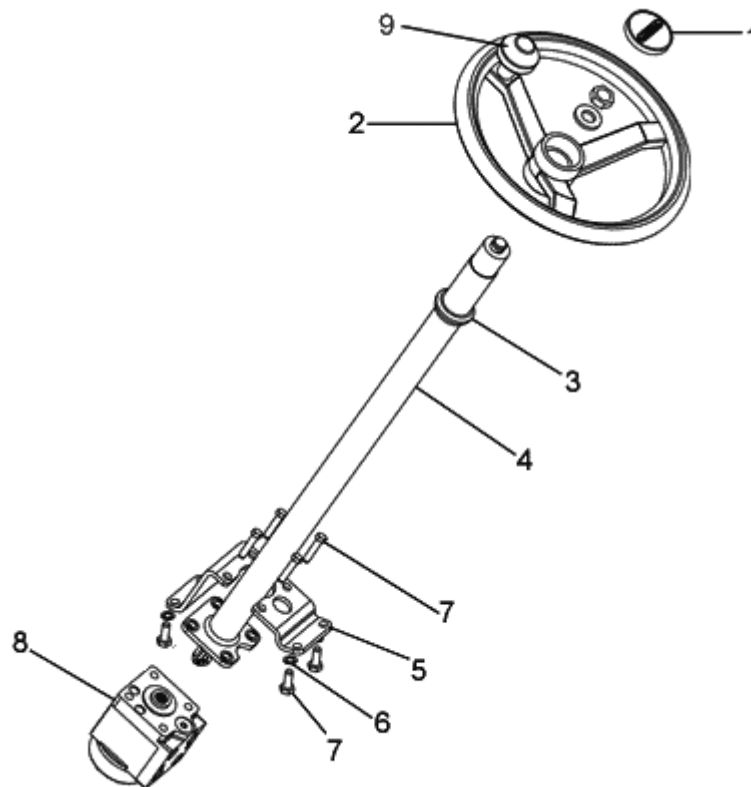


FIGURE	REFERENCE	DENOMINATION	AMOUNT
001	00.00626.03	TRIM	1
002	15.01016.01	STEERING WHEEL D21-315 WITH POMMEL	1
003	15.20727.00	NYLON BEARING 16x38x52	1
004	55.10680.00	STEERING COLUMM	1
005	70.06010.00	ANGULAR SUPPORT	1
006	104.10000.00	WASHER DIN7980 D10	8
007	603.10025.86	SCREW DIN933 M10x25	8
008	31.00613.00	STEERING VALVE	1
009	15.10161.01	KNOB	1

06. STEERING

DRIVE PINION

CHASSIS: 63390

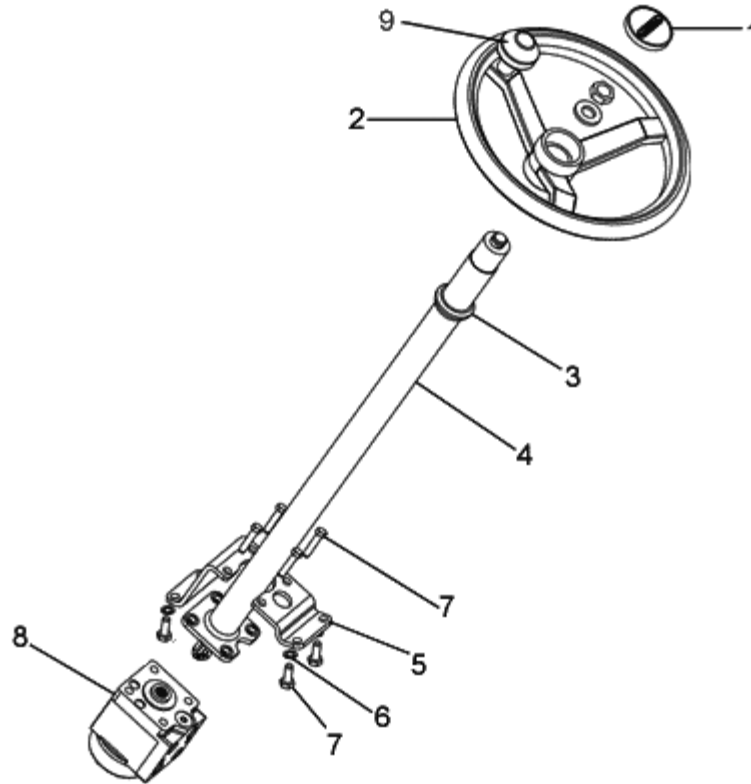


FIGURE	REFERENCE	DENOMINATION	AMOUNT
001	00.00626.05	TRIM	1
002	15.01016.01	STEERING WHEEL D21-315 WITH POMMEL	1
003	15.20727.00	NYLON BEARING 16x38x52	1
004	55.10680.00	STEERING COLUMM	1
005	70.06010.00	ANGULAR SUPPORT	1
006	104.10000.00	WASHER DIN7980 D10	8
007	603.10025.86	SCREW DIN933 M10x25	8
008	31.00613.00	STEERING VALVE	1
009	15.10161.01	KNOB	1

06. STEERING

DRIVE PINION

CHASSIS: 79164

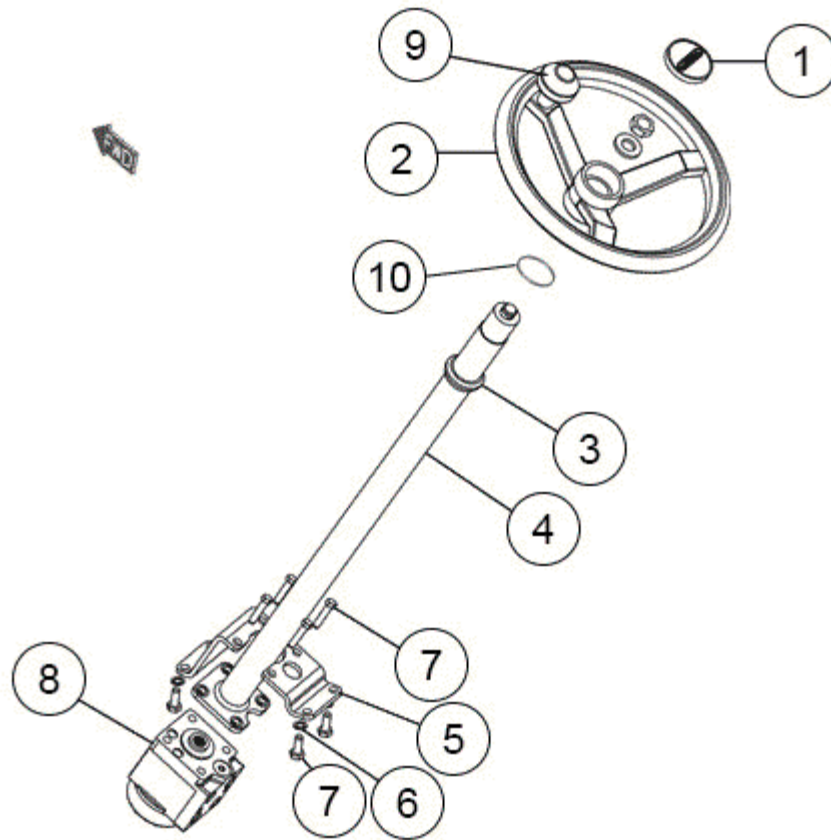


FIGURE	REFERENCE	DENOMINATION	AMOUNT
001	00.00626.05	TRIM	1
002	15.01016.01	STEERING WHEEL D21-315 WITH POMMEL	1
003	15.20727.01	NYLON BEARING 17X38X52	1
004	55.10680.00	STEERING COLUMN	1
005	70.06010.00	ANGULAR SUPPORT	1
006	104.10000.00	WASHER DIN7980 D10	8
007	603.10025.86	SCREW DIN933 M10x25	8
008	31.00613.00	STEERING VALVE	1
009	15.10161.01	KNOB	1
010	201.03953.50	O-RING DIN3770 D39.5XD3	1

07. WHEELS

D 85 AHG/A

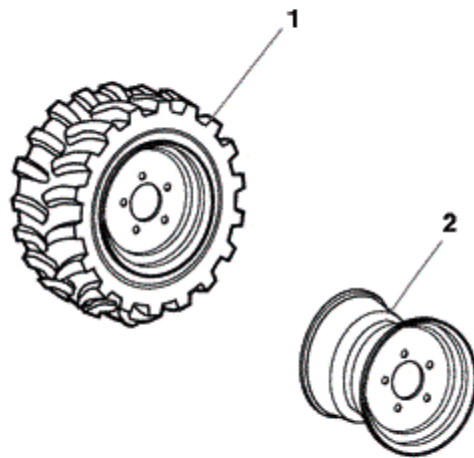


FIGURE	REFERENCE	DENOMINATION	AMOUNT
001A	70.07010DE00	MOUNTING WHEEL RIGHT	2
001B	70.07010IZ00	MOUNTING WHEEL LEFT	2
002	70.07012.00	RIM	4

07. WHEELS

D 100 AHG/A



FIGURE	REFERENCE	DENOMINATION	AMOUNT
001	70.07020DE00	WHEEL RIGHT MOD.100	2
002	70.07022.00	NSS - RIM	4

07. WHEELS

D 120 AHG/A



FIGURE	REFERENCE	DENOMINATION	AMOUNT
001A	70.07030DE00	MOUNTING WHEEL RIGHT MOD.120	2
001B	70.07030IZ00	MOUNTING WHEEL LEFT	2
002	70.07032.00	RIM	4

07. WHEELS

D 120 AHG/A

CHASSIS: 75282

PATRÓN / PATTERN



FIGURE	REFERENCE	DENOMINATION	AMOUNT
001A	70.07030IZ01	COMPLETE LEFT WHEEL 10.0/75-15.3	2
001B	70.07030DE01	COMPLETE RIGHT WHEEL 10.0/75-15.3	2
002	70.07032.01	RIM 9.00X15.3 OFF.0	4

07. WHEELS

D 100 AHG/A ENGLAND

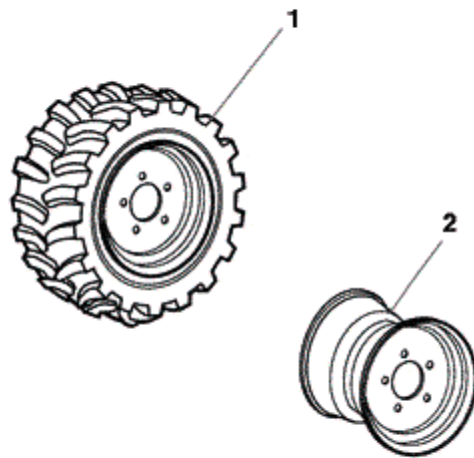


FIGURE	REFERENCE	DENOMINATION	AMOUNT
001A	70.07040DE00	WHEEL RIGHT MOD.100	2
001B	70.07040IZ00	WHEEL LEFT	2
002	70.07041.00	"RIM 7.00X12" 94,5X140X18,5"	4

07. WHEELS

D 100 AHG/A ENGLAND

CHASSIS: 73981

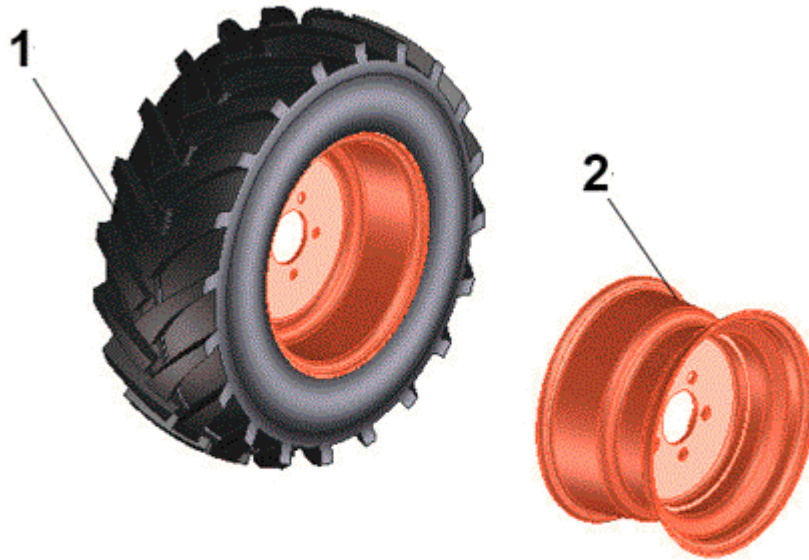


FIGURE	REFERENCE	DENOMINATION	AMOUNT
001A	35.07030DE01	RIGHT WHEEL MOUNTED 11.0/65 x 12 OFF.0	2
001B	35.07030IZ01	LEFT WHEEL MOUNTED 11.0/65 X 12 OFF.0	2
002	17.07031.01	WHEEL 7.00 X 12 OFFSET 0	4

08. BODYWORK SHEETS

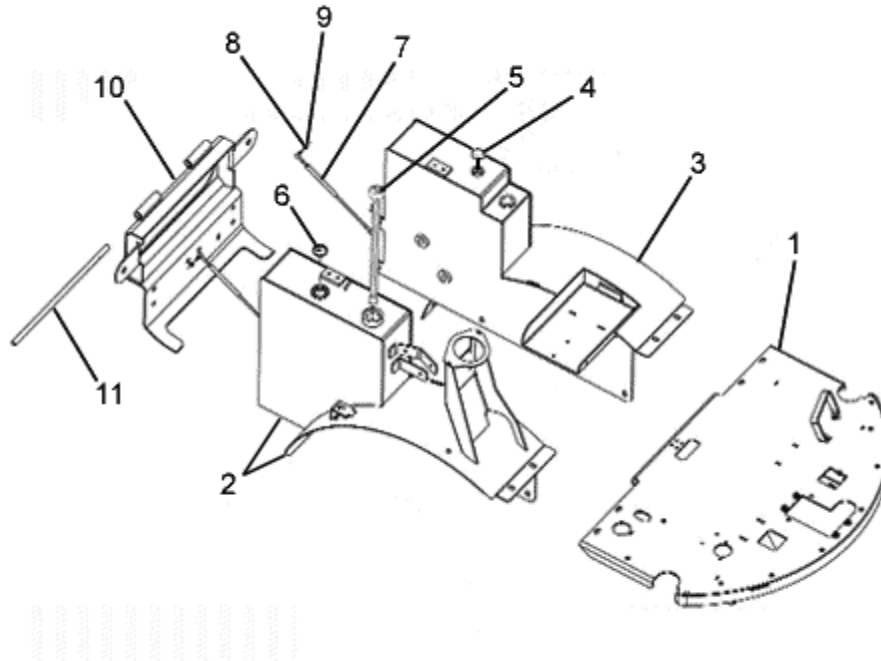


FIGURE	REFERENCE	DENOMINATION	AMOUNT
001	70.08040.00	FOOT SHEET	1
002	70.02040.00	FUEL TANK	1
003	70.10050.00	OIL TANK	1
004	70.10054.00	OIL LEVEL BAR	1
005	70.02039.00	FUEL NEEDLE LEVEL	1
006	70.02038.00	FUEL CAP	1
007	70.08038.00	SHOCK ABSORBER	2
008	112.08000.66	WASHER DIN9021 D8	4
009	720.08000.66	NUT DIN985 M8 AUTOLOCKING	4
010	70.08035.00	SUPPORT SHEET	1
011	70.08024.00	CY/CYL AXLE	1

08. BODYWORK

SHEETS

CHASSIS: 37786

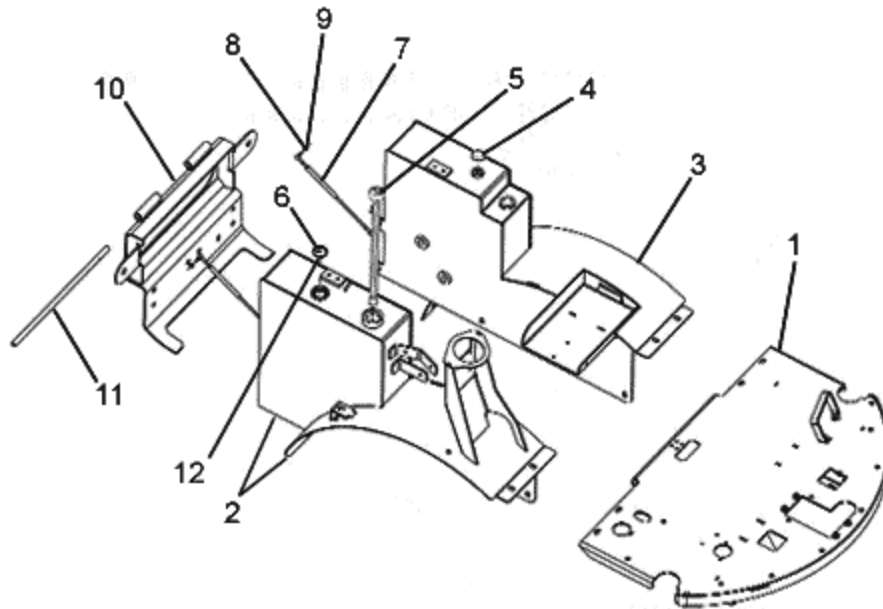


FIGURE	REFERENCE	DENOMINATION	AMOUNT
001	70.08040.00	FOOT SHEET	1
002	70.02040.01	FUEL TANK 23 L	1
003	70.10050.00	OIL TANK	1
004	70.10054.00	OIL LEVEL BAR	1
005	70.02039.00	FUEL NEEDLE LEVEL	1
006	15.01524.00	TANK CAP	1
007	70.08038.00	SHOCK ABSORBER	2
008	112.08000.66	WASHER DIN9021 D8	4
009	720.08000.66	NUT DIN985 M8 AUTOLOCKING	4
010	70.08035.00	SUPPORT SHEET	1
011	70.08024.00	CY/CYL AXLE	1
012	20.02042.01	VALVE	1

08. BODYWORK

SHEETS

CHASSIS: 38156

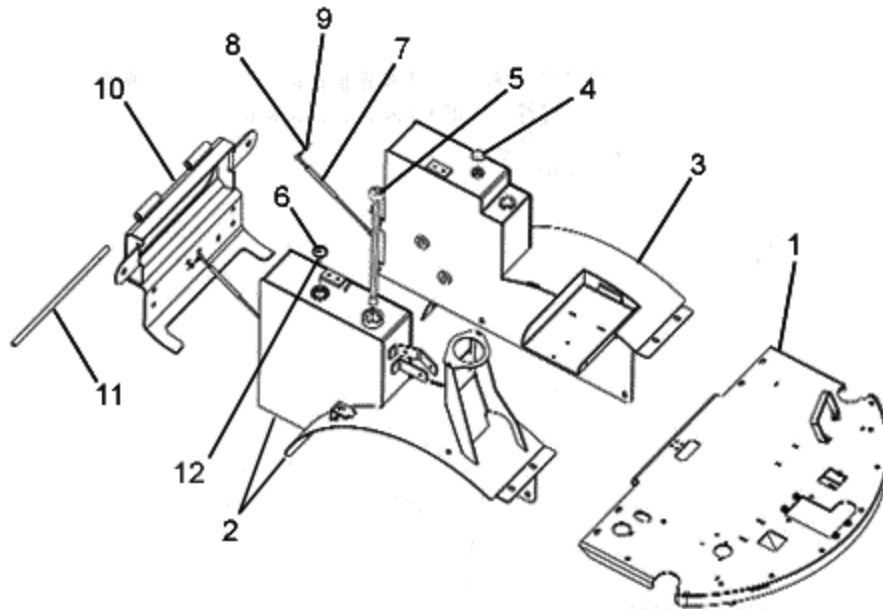


FIGURE	REFERENCE	DENOMINATION	AMOUNT
001	70.08040.00	FOOT SHEET	1
002	70.02040.01	FUEL TANK 23 L	1
003	70.10050.00	OIL TANK	1
004	70.10054.00	OIL LEVEL BAR	1
005	70.02039.00	FUEL NEEDLE LEVEL	1
006	15.01524.00	TANK CAP	1
007	70.08038.01	SHOCK ABSORBER	2
008	112.08000.66	WASHER DIN9021 D8	4
009	720.08000.66	NUT DIN985 M8 AUTOLOCKING	4
010	70.08035.00	SUPPORT SHEET	1
011	70.08024.00	CY/CYL AXLE	1
012	20.02042.01	VALVE	1

08. BODYWORK

SHEETS

CHASSIS: 38728

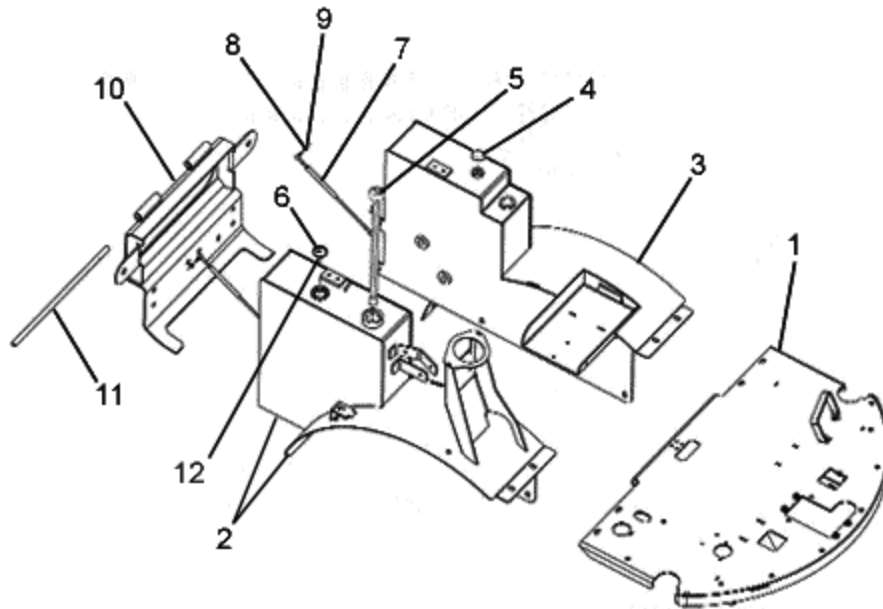


FIGURE	REFERENCE	DENOMINATION	AMOUNT
001	70.08040.00	FOOT SHEET	1
002	70.02040.01	FUEL TANK 23 L	1
003	70.10050.01	OIL TANK	1
004	70.10054.01	OIL LEVEL BAR	1
005	70.02039.00	FUEL NEEDLE LEVEL	1
006	15.01524.00	TANK CAP	1
007	70.08038.01	SHOCK ABSORBER	2
008	112.08000.66	WASHER DIN9021 D8	4
009	720.08000.66	NUT DIN985 M8 AUTOLOCKING	4
010	70.08035.00	SUPPORT SHEET	1
011	70.08024.00	CY/CYL AXLE	1
012	20.02042.01	VALVE	1

08. BODYWORK

SHEETS

CHASSIS: 41571

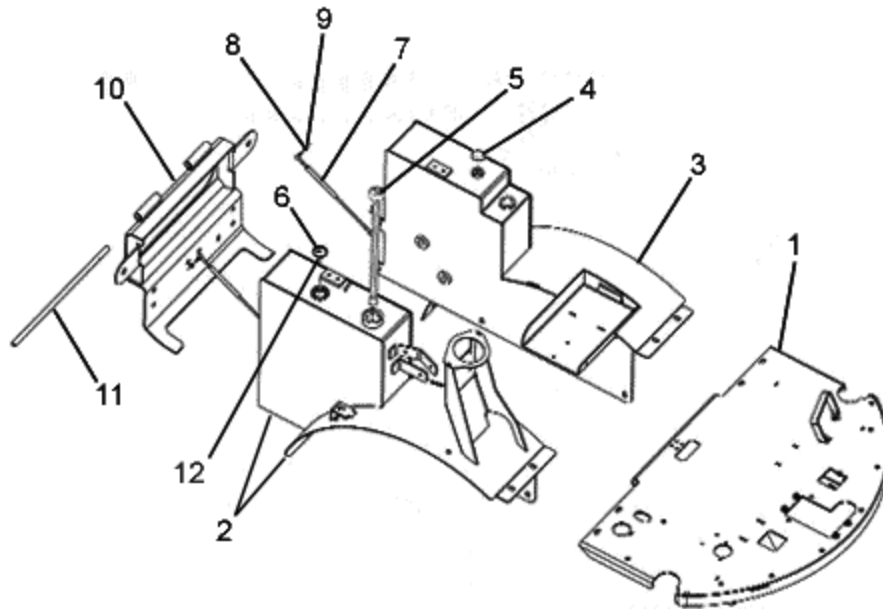


FIGURE	REFERENCE	DENOMINATION	AMOUNT
001	70.08040.03	FOOT SHEET (150)	1
002	70.02040.01	FUEL TANK 23 L	1
003	70.10050.01	OIL TANK	1
004	70.10054.01	OIL LEVEL BAR	1
005	70.02039.00	FUEL NEEDLE LEVEL	1
006	15.01524.00	TANK CAP	1
007	70.08038.01	SHOCK ABSORBER	2
008	112.08000.66	WASHER DIN9021 D8	4
009	720.08000.66	NUT DIN985 M8 AUTOLOCKING	4
010	70.08035.00	SUPPORT SHEET	1
011	70.08024.00	CY/CYL AXLE	1
012	20.02042.01	VALVE	1

08. BODYWORK

SHEETS

CHASSIS: 44853

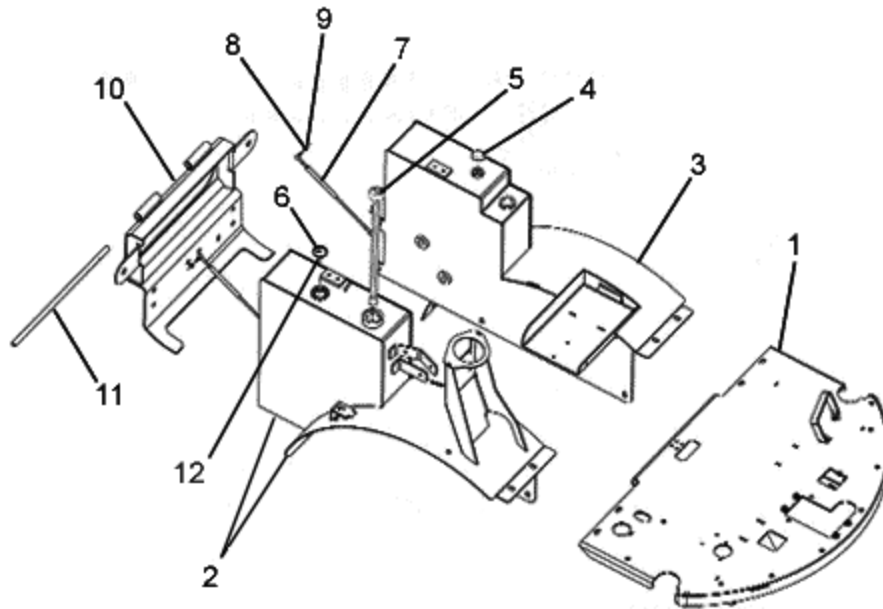


FIGURE	REFERENCE	DENOMINATION	AMOUNT
001	70.08040.03	FOOT SHEET (150)	1
002	70.02040.01	FUEL TANK 23 L	1
003	70.10050.01	OIL TANK	1
004	70.10054.01	OIL LEVEL BAR	1
005	65.02412.00	LEVEL, NEEDLE FUEL	1
006	15.01524.00	TANK CAP	1
007	70.08038.01	SHOCK ABSORBER	2
008	112.08000.66	WASHER DIN9021 D8	4
009	720.08000.66	NUT DIN985 M8 AUTOLOCKING	4
010	70.08035.00	SUPPORT SHEET	1
011	70.08024.00	CY/CYL AXLE	1
012	20.02042.01	VALVE	1

08. BODYWORK

SHEETS

CHASSIS: 59872

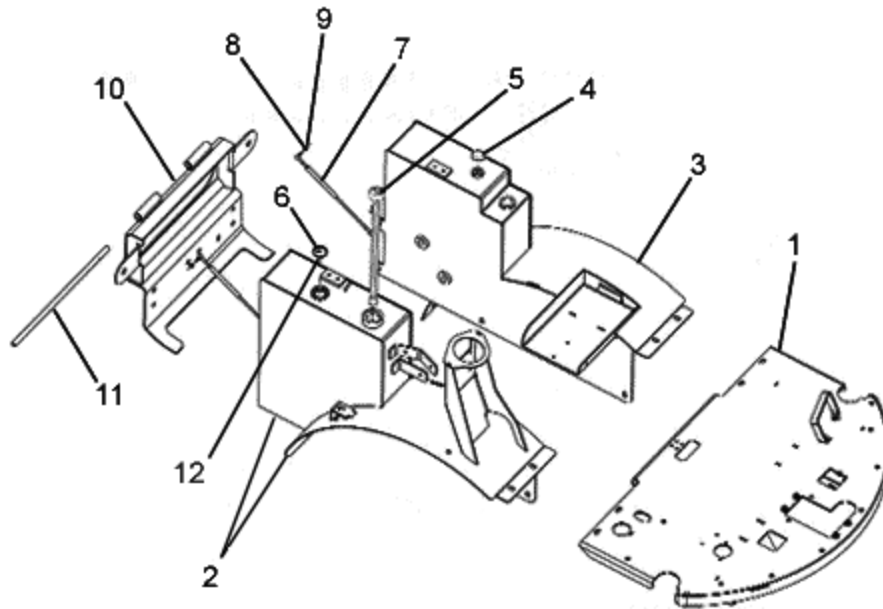


FIGURE	REFERENCE	DENOMINATION	AMOUNT
001	70.08040.03	FOOT SHEET (150)	1
002	70.02040.02	FUEL TANK 23L.	1
003	70.10050.01	OIL TANK	1
004	70.10054.01	OIL LEVEL BAR	1
005	65.02412.00	LEVEL, NEEDLE FUEL	1
006	15.01524.00	TANK CAP	1
007	70.08038.01	SHOCK ABSORBER	2
008	112.08000.66	WASHER DIN9021 D8	4
009	720.08000.66	NUT DIN985 M8 AUTOLOCKING	4
010	70.08035.00	SUPPORT SHEET	1
011	70.08024.00	CY/CYL AXLE	1
012	20.02042.01	VALVE	1

08. BODYWORK

SHEETS

CHASSIS: 72629

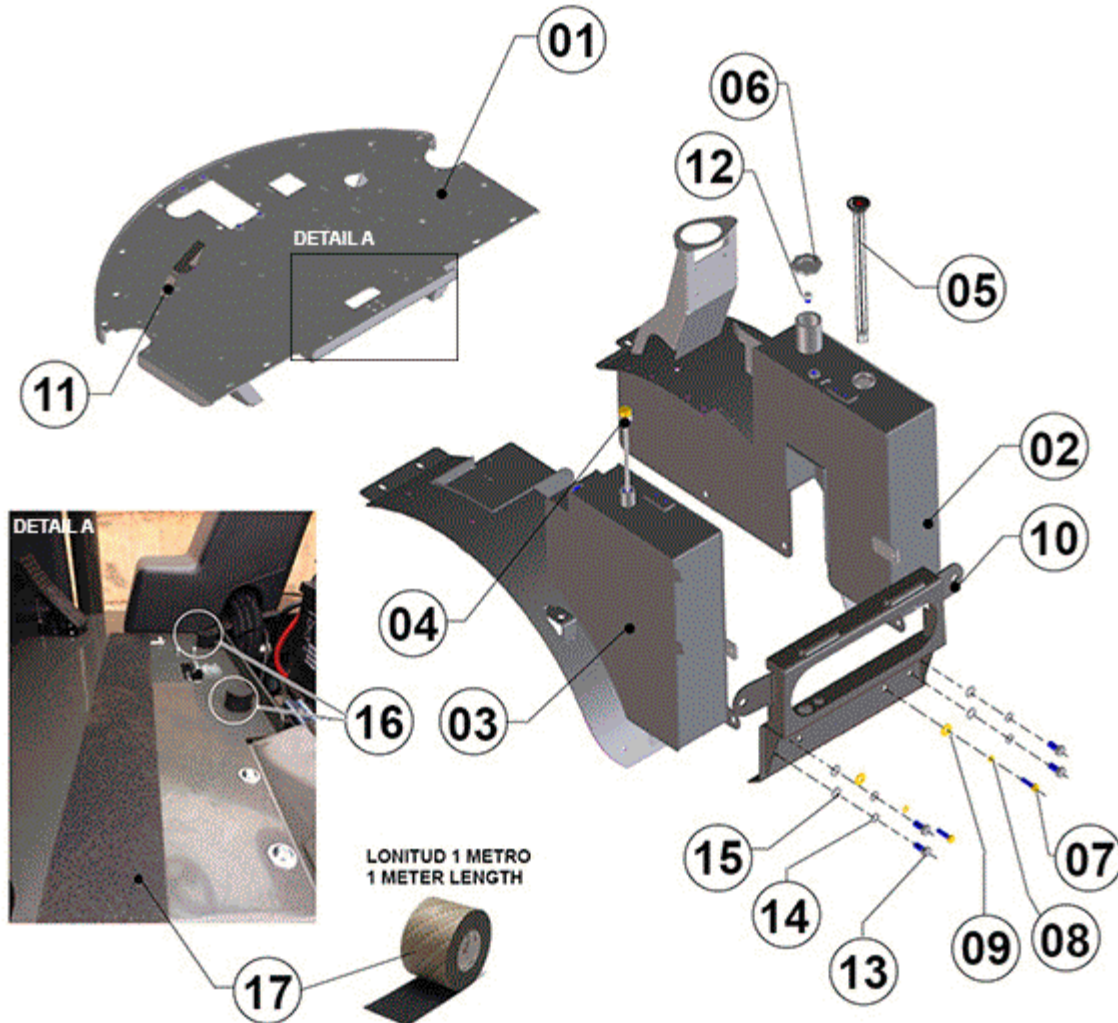


FIGURE	REFERENCE	DENOMINATION	AMOUNT
001	70.08040.03	FOOT SHEET (150)	1
002	70.02040.05	FUEL TANK 23L	1
003	70.10050.01	OIL TANK	1
004	70.10054.01	OIL LEVEL BAR	1
005	65.02412.00	LEVEL, NEEDLE FUEL	1
006	15.01524.00	TANK CAP	1
007	603.10040.86	BOLT DIN933 M10x40	2
008	104.10000.00	WASHER DIN7980 D10	2
009	112.10000.66	WASHER DIN9021 D10	2
010	70.08035.00	SUPPORT SHEET	1
011	70.08039.00	SUPPORT	1
012	20.02042.01	VALVE	1

013	603.14030.86	BOLT DIN933 M14x30	4
014	104.14000.00	CIR-CLIP EXT. DIN7980	4
015	101.14000.66	WASHER DIN125 D14	4
016	70.08029.00	BUMPER	2
017	476.00100.00	PLATE WEARING	1

08. BODYWORK

LIGHTING EQUIPMENT (PART 2)

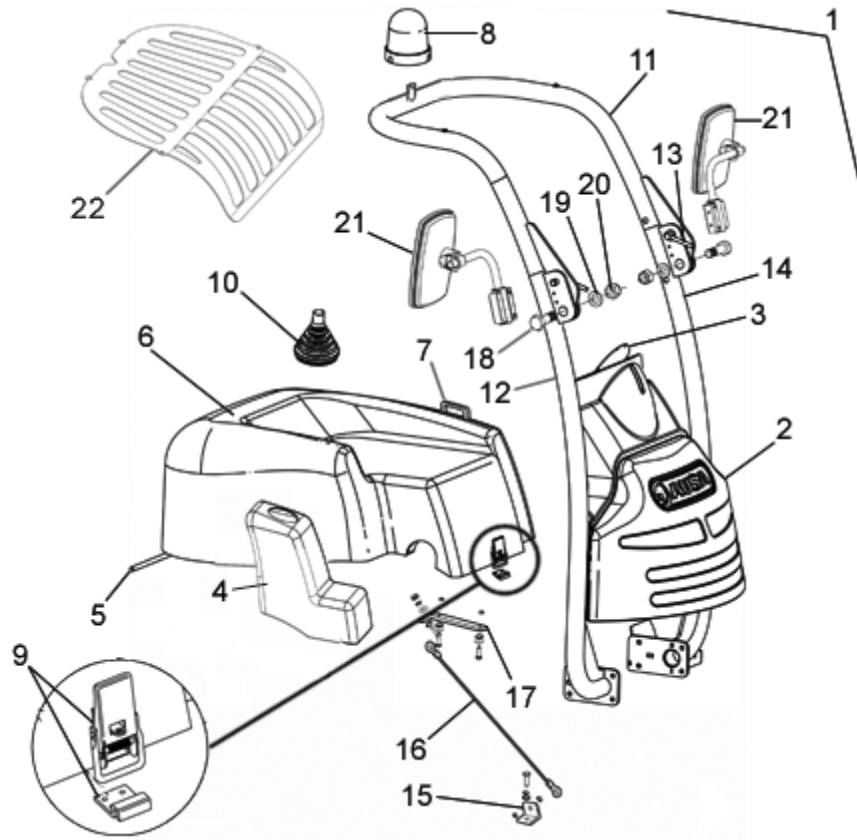


FIGURE	REFERENCE	DENOMINATION	AMOUNT
001	70.08100.00	PROTECTOR ARC	1
002	70.08009.02	STEERING SUPPORT PROTECTOR	1
003	70.11010.00	SUPPORT 503x184x2	1
004	70.08060.00	DISTRIBUTOR PROTECTOR	1
005	70.08024.00	CY/CYL AXLE	1
006	70.08020.00	GROUP ENGINE PROTECTOR	1
007	70.08025.00	HANDLE	1
008	01.00912.00	BEACON	1
009	70.08026.00	ENGINE COVER LOCKING	1
010	43.50349.00	DUST PROTECTOR	1
011	70.08103.00	PROTECTOR ARC	1
012	70.08101.00	RIGHT PROTECTOR ARC	1
013	70.08104.00	PIN WITH CHAIN	1
014	70.08102.00	LEFT PROTECTOR ARC	1
015	70.08034.00	SUPPORT	1
016	70.08032.00	ACTIONAMENT CABLE	1

017	70.08033.00	SUPPORT	1
018	604.20065.86	SCREW DIN931	2

08. BODYWORK

LIGHTING EQUIPMENT (PART 2)

FIGURE	REFERENCE	DENOMINATION	AMOUNT
019	101.20000.66	WASHER DIN125	2
020	711.20000.66	NUT	2
021	09.11009.00	REARVIEW MIRROR COMPLETE ASSY	2
022	70.08105.00	DRIVER PROTECTOR 3X828X882	1

08. BODYWORK

LIGHTING EQUIPMENT (PART 2)

CHASSIS: 38156

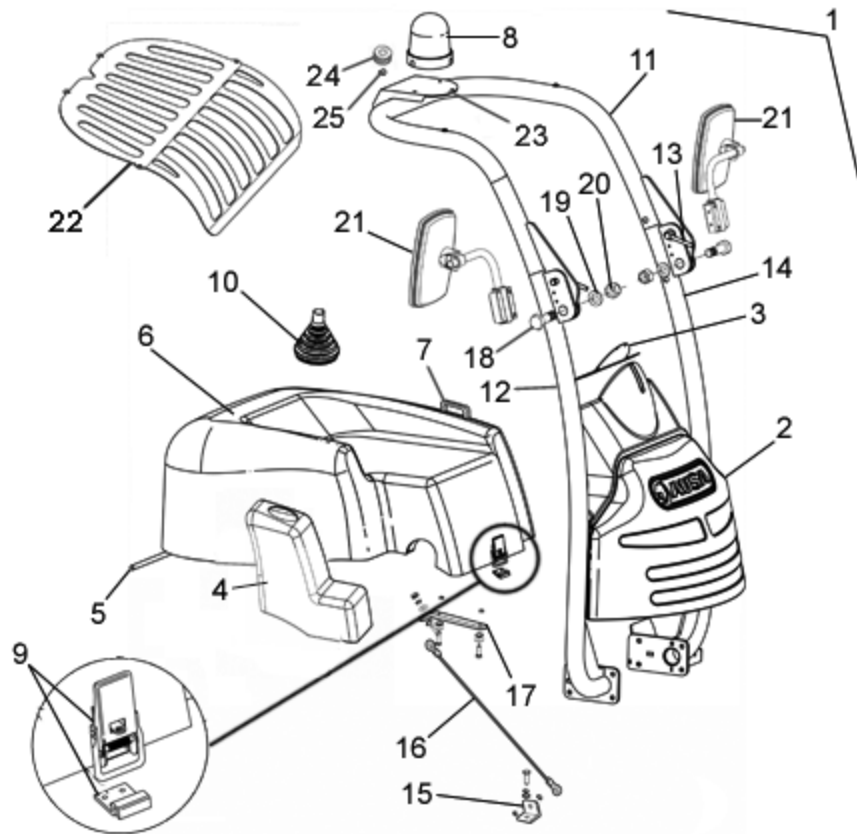


FIGURE	REFERENCE	DENOMINATION	AMOUNT
001	70.08100.01	PROTECTOR ARCH ASSY	1
002	70.08009.02	STEERING SUPPORT PROTECTOR	1
003	70.11010.00	SUPPORT 503x184x2	1
004	70.08060.00	DISTRIBUTOR PROTECTOR	1
005	70.08024.00	CY/CYL AXLE	1
006	70.08020.00	GROUP ENGINE PROTECTOR	1
007	70.08025.00	HANDLE	1
008	01.00921.00	BEACON	1
009	70.08026.00	ENGINE COVER LOCKING	1
010	43.50349.00	DUST PROTECTOR	1
011	70.08103.01	UPPER PROTECTOR ARCH	1
012	70.08101.01	RIGHT PROTECTOR ARCH	1
013	70.08104.00	PIN WITH CHAIN	1
014	70.08102.01	LEFT PROTECTOR ARCH	1
015	70.08034.00	SUPPORT	1
016	70.08032.00	ACTIONAMENT CABLE	1

017	70.08033.00	SUPPORT	1
018	604.20065.86	SCREW DIN931	2

08. BODYWORK

LIGHTING EQUIPMENT (PART 2)

CHASSIS: 38156

FIGURE	REFERENCE	DENOMINATION	AMOUNT
019	101.20000.66	WASHER DIN125	2
020	711.20000.66	NUT	2
021	09.11009.00	REARVIEW MIRROR COMPLETE ASSY	2
022	70.08105.01	DRIVER PROTECTOR 3X828X882	1
023	70.08106.00	SUPPORT 170x150x2	1
024	16.00760.00	BUSH	1
025	43.07777.00	GROMMET	1

08. BODYWORK

LIGHTING EQUIPMENT (PART 2)

CHASSIS: 41571

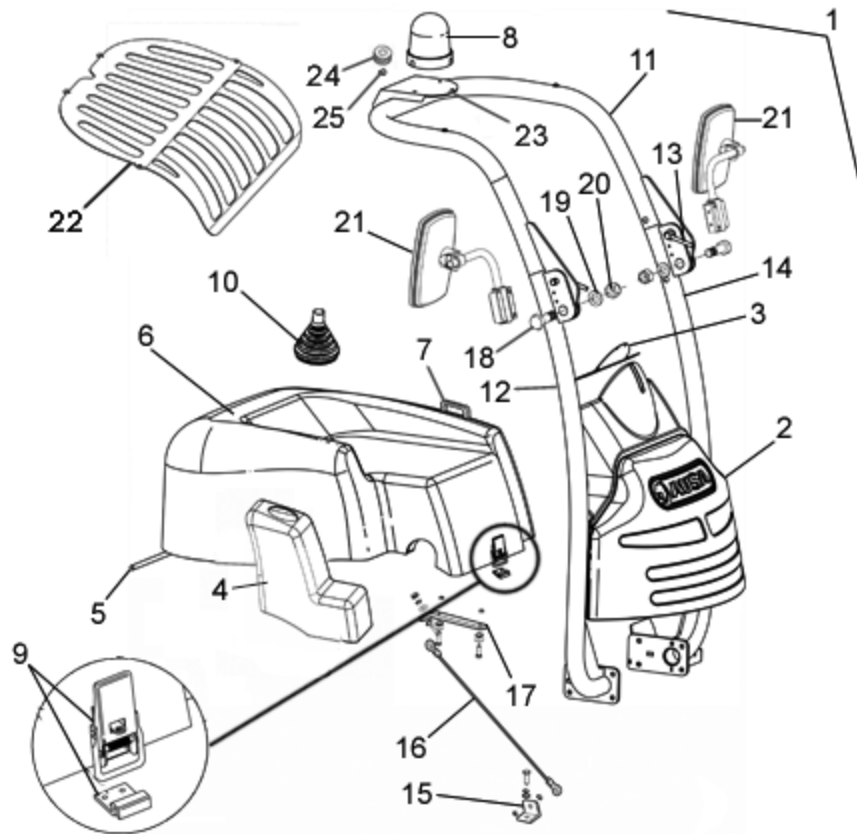


FIGURE	REFERENCE	DENOMINATION	AMOUNT
001	70.08100.03	PROTECTOR ARC	1
002	70.08009.02	STEERING SUPPORT PROTECTOR	1
003	70.11010.00	SUPPORT 503x184x2	1
004	70.08060.00	DISTRIBUTOR PROTECTOR	1
005	70.08024.00	CY/CYL AXLE	1
006	70.08020.00	GROUP ENGINE PROTECTOR	1
007	70.08025.00	HANDLE	1
008	01.00921.00	BEACON	1
009	70.08026.00	ENGINE COVER LOCKING	1
010	43.50349.00	DUST PROTECTOR	1
011	70.08103.03	UPPER PROTECTOR ARCH	1
012	70.08101.03	RIGHT PROTECTOR ARC	1
013	70.08104.00	PIN WITH CHAIN	1
014	70.08102.03	LEFT PROTECTOR ARC	1
015	70.08034.00	SUPPORT	1
016	70.08032.00	ACTIONAMENT CABLE	1

017	70.08033.00	SUPPORT	1
018	604.20065.86	SCREW DIN931	2

08. BODYWORK

LIGHTING EQUIPMENT (PART 2)

CHASSIS: 41571

FIGURE	REFERENCE	DENOMINATION	AMOUNT
019	101.20000.66	WASHER DIN125	2
020	711.20000.66	NUT	2
021	09.11009.00	REARVIEW MIRROR COMPLETE ASSY	2
022	70.08105.01	DRIVER PROTECTOR 3X828X882	1
023	70.08106.00	SUPPORT 170x150x2	1
024	16.00760.00	BUSH	1
025	43.07777.00	GROMMET	1

08. BODYWORK

LIGHTING EQUIPMENT (PART 2)

CHASSIS: 60931

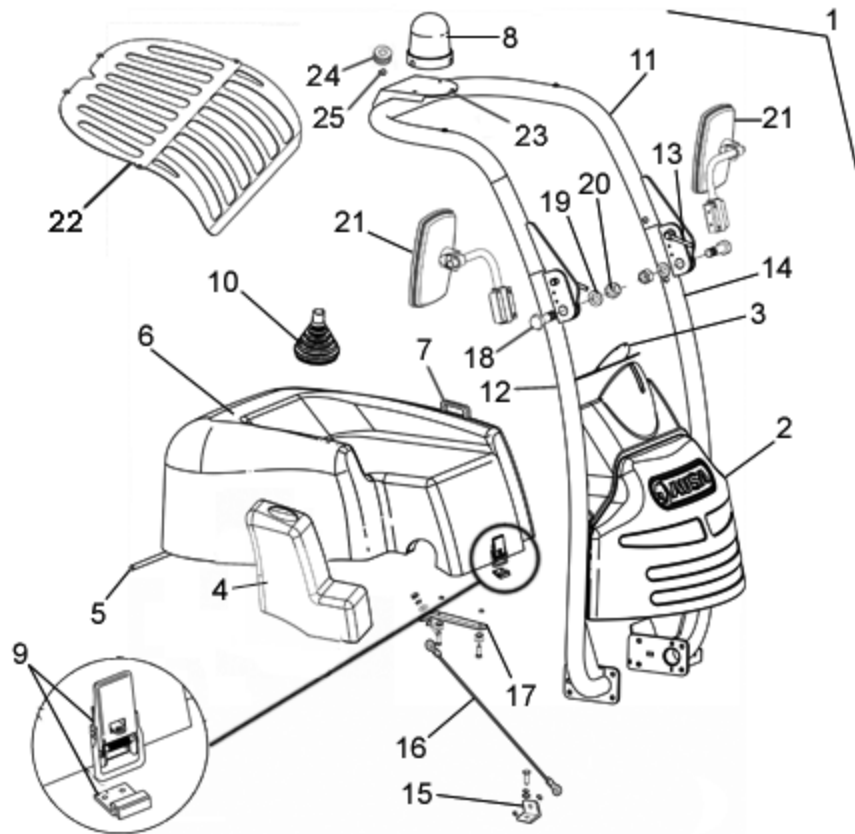


FIGURE	REFERENCE	DENOMINATION	AMOUNT
001	70.08100.03	PROTECTOR ARC	1
002	70.08009.02	STEERING SUPPORT PROTECTOR	1
003	70.11010.00	SUPPORT 503x184x2	1
004	70.08060.00	DISTRIBUTOR PROTECTOR	1
005	70.08024.00	CY/CYL AXLE	1
006	70.08020.00	GROUP ENGINE PROTECTOR	1
007	70.08025.00	HANDLE	1
008	01.00921.02	ROTATING LIGHT BRITAX	1
009	70.08026.00	ENGINE COVER LOCKING	1
010	43.50349.00	DUST PROTECTOR	1
011	70.08103.03	UPPER PROTECTOR ARCH	1
012	70.08101.03	RIGHT PROTECTOR ARC	1
013	70.08104.00	PIN WITH CHAIN	1
014	70.08102.03	LEFT PROTECTOR ARC	1
015	70.08034.00	SUPPORT	1
016	70.08032.00	ACTIONAMENT CABLE	1

017	70.08033.00	SUPPORT	1
018	604.20065.86	SCREW DIN931	2

08. BODYWORK

LIGHTING EQUIPMENT (PART 2)

CHASSIS: 60931

FIGURE	REFERENCE	DENOMINATION	AMOUNT
019	101.20000.66	WASHER DIN125	2
020	711.20000.66	NUT	2
021	09.11009.00	REARVIEW MIRROR COMPLETE ASSY	2
022	70.08105.01	DRIVER PROTECTOR 3X828X882	1
023	70.08106.01	PIN SUPPORT 170X150X2	1
024	16.00760.00	BUSH	1
025	43.07777.00	GROMMET	1

08. BODYWORK

LIGHTING EQUIPMENT (PART 2)

CHÂSSIS: 82543

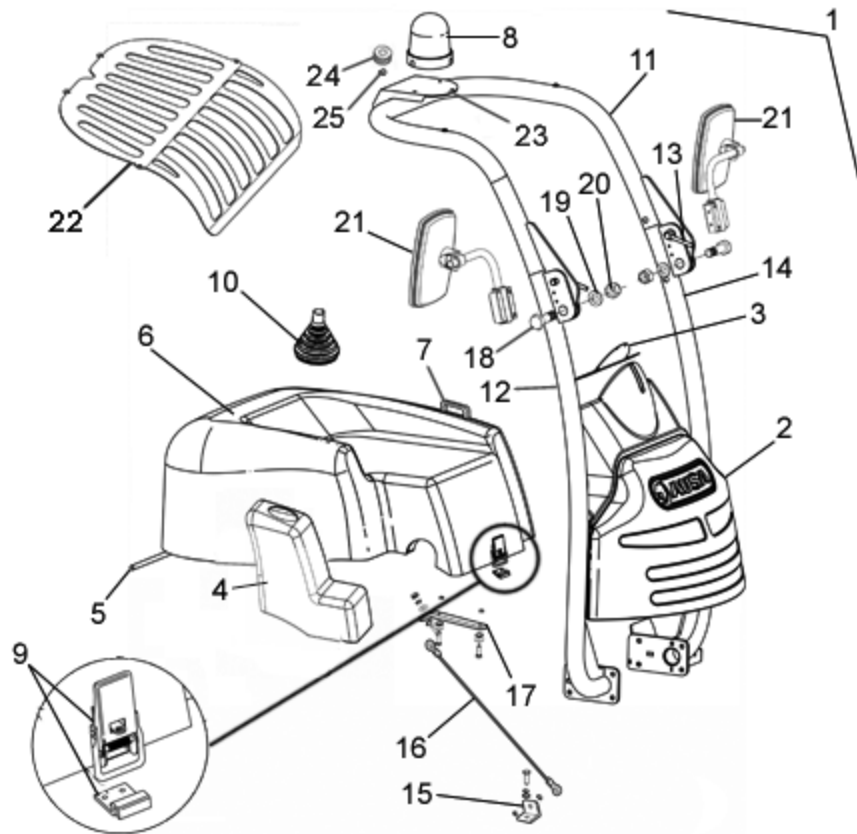


FIGURE	RÉFÉRENCE	NOM	QUANTITÉ
001	70.08100.03	PROTECTOR ARC	1
002	70.08009.02	STEERING SUPPORT PROTECTOR	1
003	70.11010.00	SUPPORT 503x184x2	1
004	70.08060.00	DISTRIBUTOR PROTECTOR	1
005	70.08024.00	CY/CYL AXLE	1
006	70.08020.00	GROUP ENGINE PROTECTOR	1
007	70.08025.00	HANDLE	1
008	01.00921.02	ROTATING LIGHT BRITAX	1
009	70.08026.00	ENGINE COVER LOCKING	1
010	43.50349.00	DUST PROTECTOR	1
011	70.08103.03	UPPER PROTECTOR ARCH	1
012	70.08101.03	RIGHT PROTECTOR ARC	1
013	70.08104.00	PIN WITH CHAIN	1
014	70.08102.03	LEFT PROTECTOR ARC	1
015	70.08034.00	SUPPORT	1
016	70.08032.00	ACTIONAMENT CABLE	1

017	70.08033.00	SUPPORT	1
018	604.20065.86	SCREW DIN931	2
019	101.20000.66	WASHER DIN125	2
020	711.20000.66	NUT	2
021	09.11009.00	REARVIEW MIRROR COMPLETE ASSY	2
022	70.08105.01	DRIVER PROTECTOR 3X828X882	1
023	70.08106.01	PIN SUPPORT 170X150X2	1
024	16.00760.00	BUSH	1
025	43.07777.00	GROMMET	1

08. BODYWORK

LIGHTING EQUIPMENT (PART 2)

CHÂSSIS: 83436

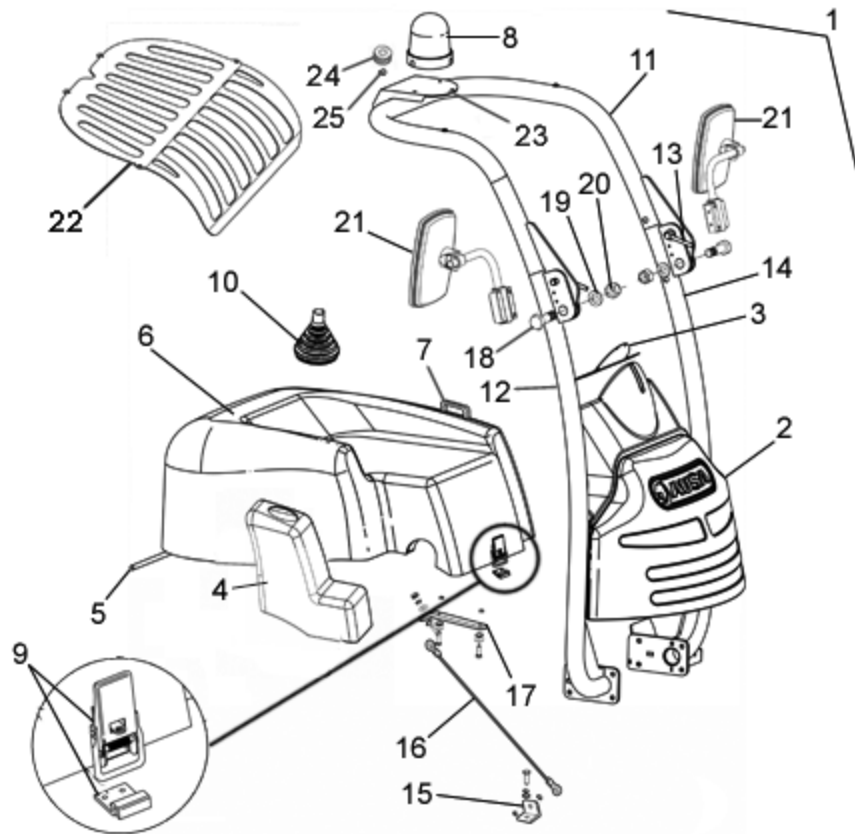


FIGURE	RÉFÉRENCE	NOM	QUANTITÉ
001	70.08100.03	PROTECTOR ARC	1
002	70.08009.02	STEERING SUPPORT PROTECTOR	1
003	70.11010.00	SUPPORT 503x184x2	1
004	70.08060.00	DISTRIBUTOR PROTECTOR	1
005	70.08024.00	CY/CYL AXLE	1
006	70.08020.04	COMPLETE ENGINE GUARD	1
007	70.08025.00	HANDLE	1
008	01.00921.02	ROTATING LIGHT BRITAX	1
009	70.08026.00	ENGINE COVER LOCKING	1
010	43.50349.00	DUST PROTECTOR	1
011	70.08103.03	UPPER PROTECTOR ARCH	1
012	70.08101.03	RIGHT PROTECTOR ARC	1
013	70.08104.00	PIN WITH CHAIN	1
014	70.08102.03	LEFT PROTECTOR ARC	1
015	70.08034.00	SUPPORT	1
016	70.08032.00	ACTIONAMENT CABLE	1

017	70.08033.00	SUPPORT	1
018	604.20065.86	SCREW DIN931	2
019	101.20000.66	WASHER DIN125	2
020	711.20000.66	NUT	2
021	09.11009.00	REARVIEW MIRROR COMPLETE ASSY	2
022	70.08105.01	DRIVER PROTECTOR 3X828X882	1
023	70.08106.01	PIN SUPPORT 170X150X2	1
024	16.00760.00	BUSH	1
025	43.07777.00	GROMMET	1

08. BODYWORK

ENGINE COVER

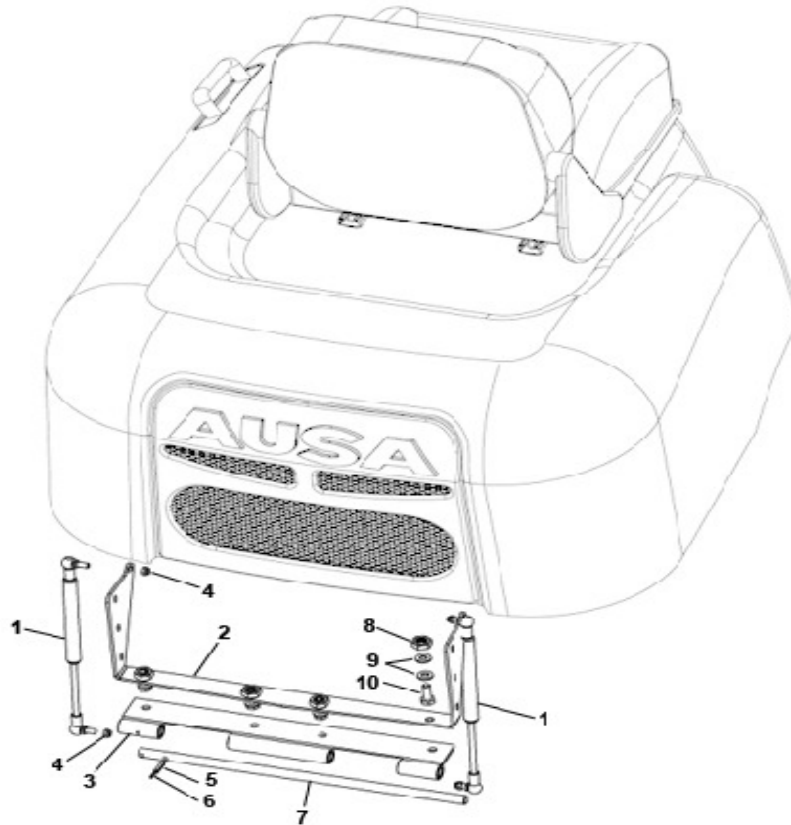


FIGURE	RÉFÉRENCE	NOM	QUANTITÉ
001	70.08038.01	SHOCK ABSORBER	2
002	70.08019.00	CHEST PLATE	1
003	70.08027.00	MOTOR GUARD HINGE	1
004	711.08000.66	NUT DIN982 M8	4
005	402.06030.00	PIN	1
006	402.35030.00	PIN	1
007	70.08024.00	CY/CYL AXLE	1
008	701.10000.66	NUT DIN934 M10x1.5	4
009	101.08000.66	WASHER DIN125 D8	8
010	603.10030.86	SCREW DIN933	4

08. BODYWORK

COUNTERWEIGHT AND REAR LIGHTS

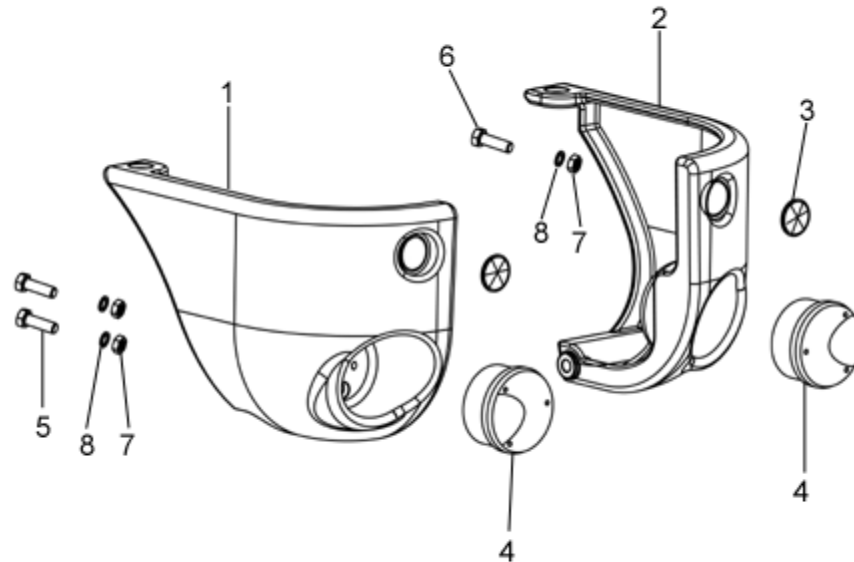


FIGURE	RÉFÉRENCE	NOM	QUANTITÉ
001	70.08030.00	COUNTERWEIGHT	1
002	70.08031.00	COUNTERWEIGHT	1
003	70.08028.00	RETROREFLECTOR	2
004	10.14211.00	POSITION-INTERMITTENCE-BRAKING WORKING LIGHTS	1
005	603.14050.86	SCREW DIN933	4
006	603.14055.86	BOLT DIN933 M14x55	2
007	701.14000.66	NUT DIN934 M14x2	6
008	104.14000.00	CIR-CLIP EXT. DIN7980	6

08. BODYWORK

SEAT

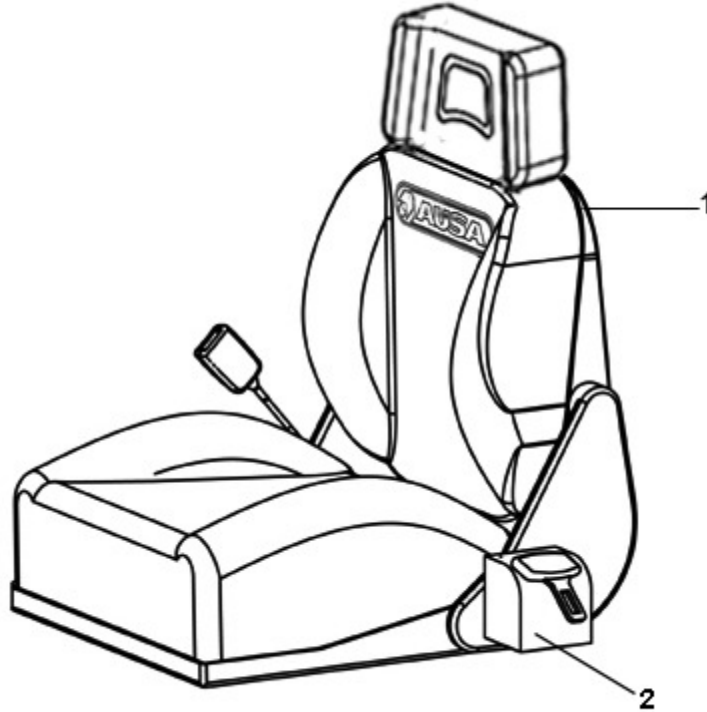


FIGURE	RÉFÉRENCE	NOM	QUANTITÉ
001	43.00790.03	DRIVERS SEAT	1
002	13.08156.00	SAFETY BELT	1

08. BODYWORK

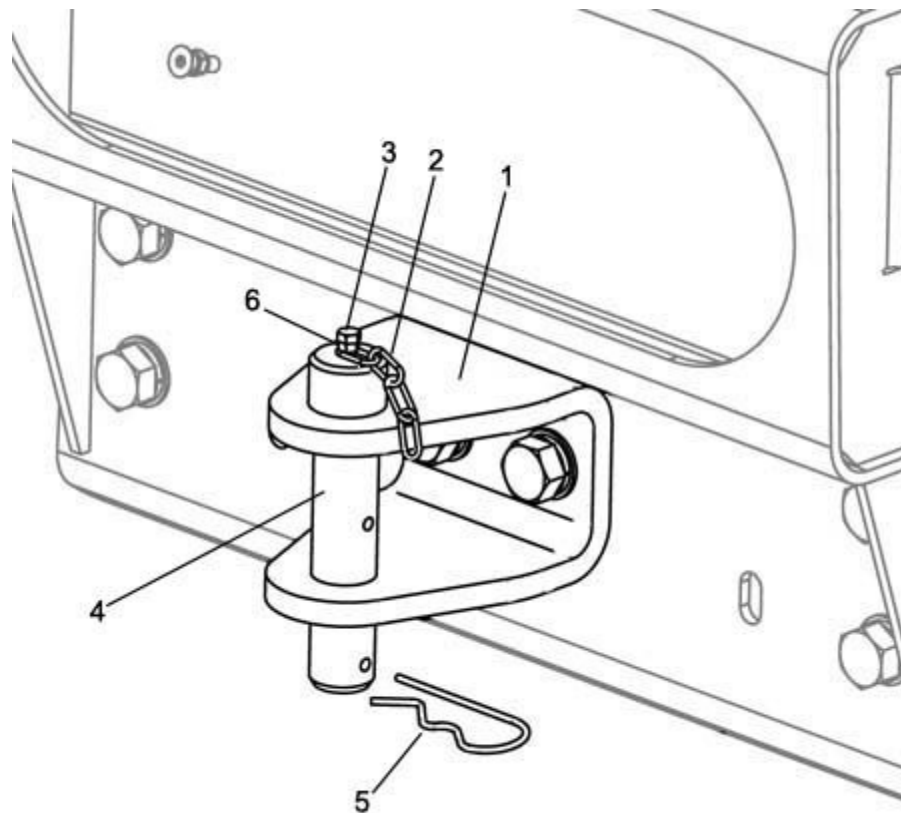


FIGURE	RÉFÉRENCE	NOM	QUANTITÉ
001	70.08090.00	support 80X100X125	1
002	15.00834.00	CHAIN	1
003	603.05010.86	SCREW DIN933 M5x10	1
004	15.00835.00	AXLE CPA/GRA 25x30x135	1
005	15.00836.00	PIN DIN11024 R4	1
006	701.05000.86	NUT	1

08. BODYWORK

SLIP ADHESIVE



FIGURE	RÉFÉRENCE	NOM	QUANTITÉ
001	461.00100.00	Skid Plate	1

09. MACHINE FUNCTIONS IMPLEMENTS

LIFTING SYSTEM

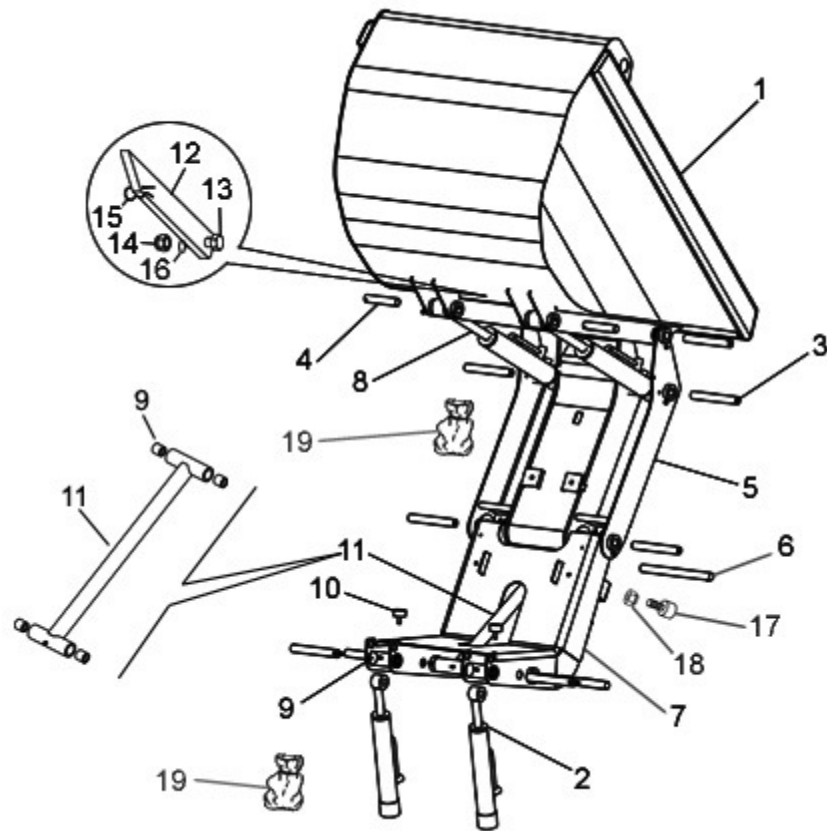


FIGURE	RÉFÉRENCE	NOM	QUANTITÉ
001	70.09015.00	HOPPER (85/100 AMA/AHA)	1
001	70.09016.00	HOPPER (120 AMA/AHA)	1
002	70.09060.00	CYLINDER	2
003	70.09059.00	CPA/CPA AXLE	8
004	70.09056.00	AXLE	6
005	70.09071.00	ARTICULATED SUPPORT	1
006	70.09064.00	CYL/CPA AXLE	2
007	70.09051.00	ARM	1
008	70.09080.00	CYLINDER	2
009	70.09066.00	BEARING	16
010	70.08029.00	BUMPER	2
011	70.09061.00	TIGHT	1
012	70.09090.00		1
013	603.14050.86	SCREW DIN933	1
014	711.14000.66	NUT DIN982 M14 8.8 K	1
015	15.00836.00	PIN DIN11024 R4	1

016	101.14000.66	WASHER DIN125 D14	1
017	70.09067.00	AXLE	2

09. MACHINE FUNCTIONS IMPLEMENTS

LIFTING SYSTEM

FIGURE	RÉFÉRENCE	NOM	QUANTITÉ
018	701.16000.66	NUT	2
019	70.99100RE00	GASKET SET	4

09. MACHINE FUNCTIONS IMPLEMENTS

LIFTING SYSTEM

CHÂSSIS: 55114

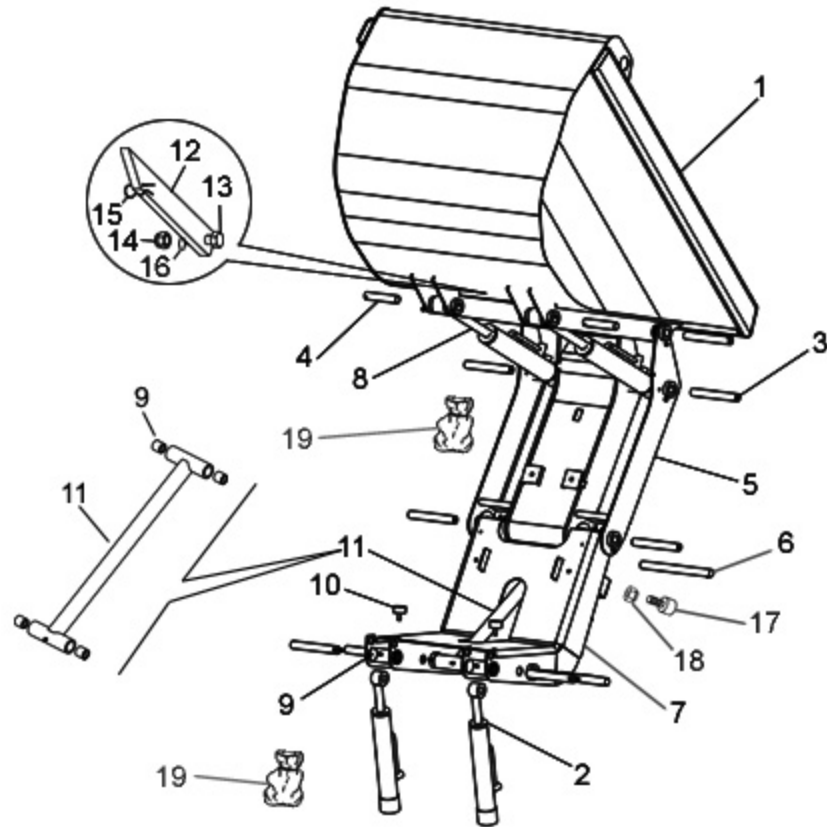


FIGURE	RÉFÉRENCE	NOM	QUANTITÉ
001	70.09015.00	HOPPER (85/100 AMA/AHA)	1
001	70.09016.00	HOPPER (120 AMA/AHA)	1
002	70.09060.00	CYLINDER	2
003	70.09059.00	CPA/CPA AXLE	8
004	70.09056.00	AXLE	6
005	70.09071.00	ARTICULATED SUPPORT	1
006	70.09064.00	CYL/CPA AXLE	2
007	70.09051.00	ARM	1
008	70.09080.00	CYLINDER	2
009	70.09066.00	BEARING	16
010	70.08029.00	BUMPER	2
011	70.09061.00	TIGHT	1
012	70.09090.00		1
013	603.14050.86	SCREW DIN933	1
014	711.14000.66	NUT DIN982 M14 8.8 K	1
015	15.00836.00	PIN DIN11024 R4	1

016	101.14000.66	WASHER DIN125 D14	1
017	70.09067.00	AXLE	2

09. MACHINE FUNCTIONS IMPLEMENTS

LIFTING SYSTEM

CHÂSSIS: 55114

FIGURE	RÉFÉRENCE	NOM	QUANTITÉ
018	701.16000.66	NUT	2
019	70.99100RE00	GASKET SET	4

09. MACHINE FUNCTIONS IMPLEMENTS

SYSTEM TURN

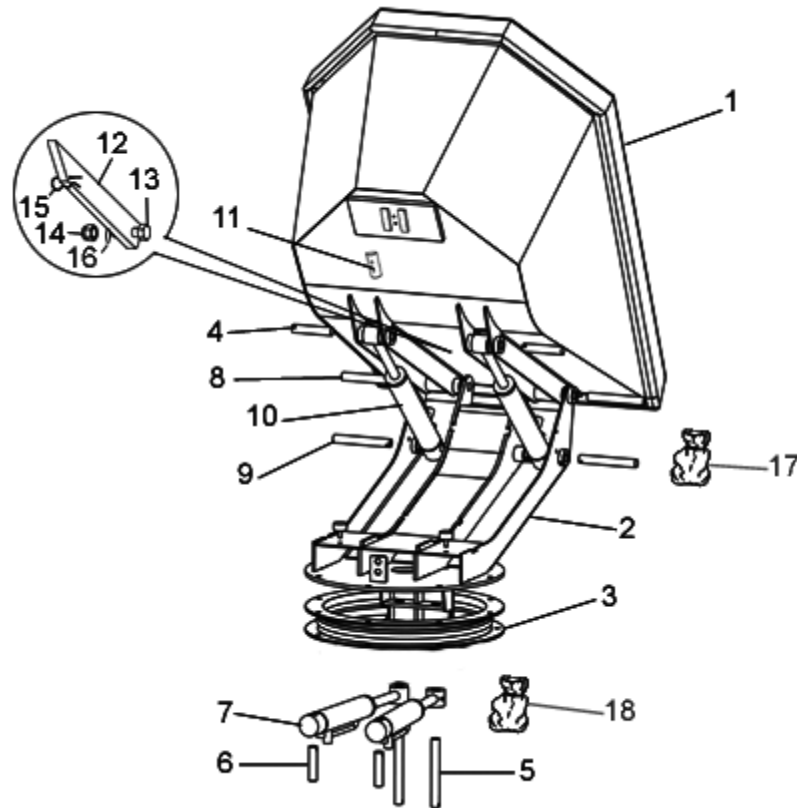


FIGURE	RÉFÉRENCE	NOM	QUANTITÉ
001	70.09017.00	HOPPER (85/100 AHG)	1
001	70.09018.00	HOPPER (120 AMG/AHG)	1
002	70.09300.00	FIXATION SUPPORT	1
003	70.09026.00	CROWN	1
004	70.09056.00	AXLE	2
005	70.09031.00	CPA/CPA AXLE	2
006	70.09065.00	CYL/CPA AXLE	2
007	70.09070.00	CYLINDER	2
008	70.09059.00	CPA/CPA AXLE	2
009	70.09059.00	CPA/CPA AXLE	2
010	70.09080.00	CYLINDER	2
011	70.09024.00	BUMPER	1
012	70.09090.00		1
013	603.14050.86	SCREW DIN933	1
014	711.14000.66	NUT DIN982 M14 8.8 K	1
015	15.00836.00	PIN DIN11024 R4	1

016	101.14000.66	WASHER DIN125 D14	1
017	70.99100RE00	GASKET SET	1

09. MACHINE FUNCTIONS IMPLEMENTS SYSTEM TURN

FIGURE	RÉFÉRENCE	NOM	QUANTITÉ
018	70.99110RE00	GASKET SET	1

10. HYDRAULIC INSTALLATION

OIL TANK

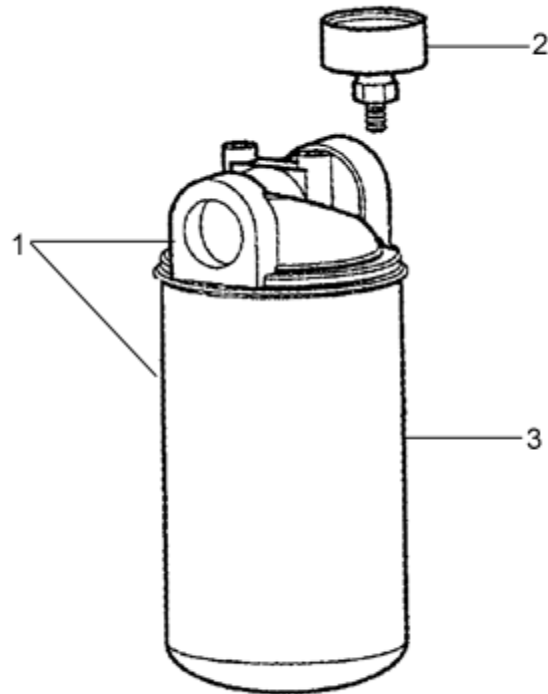


FIGURE	RÉFÉRENCE	NOM	QUANTITÉ
001	70.10051.00	COMPLETE OIL FILTER ASSY	1
002	70.10049.00	DEPRESSION INDICATOR	1
003	70.10048.00	OIL FILTER CARTRIDGE (1000h+50h)	1

10. HYDRAULIC INSTALLATION

OIL STRAINER

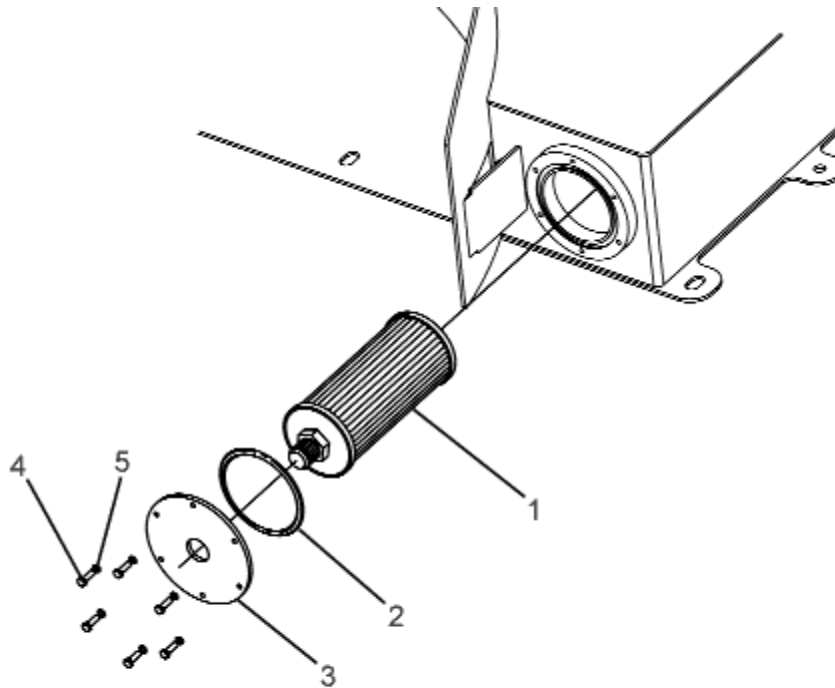


FIGURE	RÉFÉRENCE	NOM	QUANTITÉ
001	09.00630.61	OIL FILTER ASP. 25 L/MIN	1
002	201.75003.50	O-RING DIN3770 75x81x3	1
003	02.01432.00	FILTER SUPPORT	1
004	603.06015.86	SCREW DIN933 M6x15	6
005	104.06000.00	WASHER DIN7980 D6	6

10. HYDRAULIC INSTALLATION DISTRIBUTOR

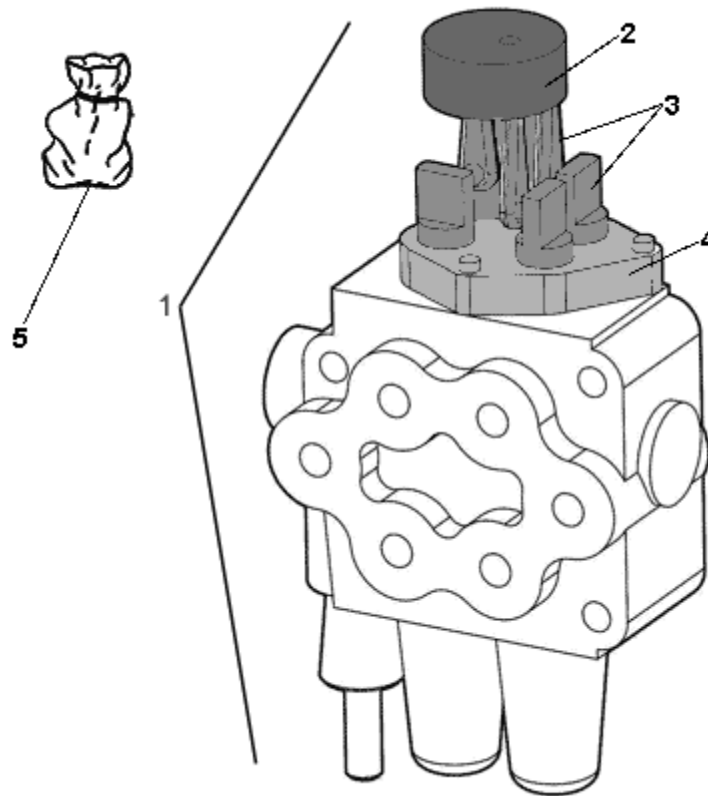


FIGURE	RÉFÉRENCE	NOM	QUANTITÉ
001	70.10030.00	DISTRIBUTOR 2E 40L-DD SERIE	1
002	RQ1670/728	LEVER SUPPORT	1
003	RQN1670/823	L-BALLS KIT	1
004	RQ1670/723	SUPPORT COVER	1
005	70.10003RE00	SEAL KIT	1

10. HYDRAULIC INSTALLATION SERVICE DIAGRAM (D85AHA/G)

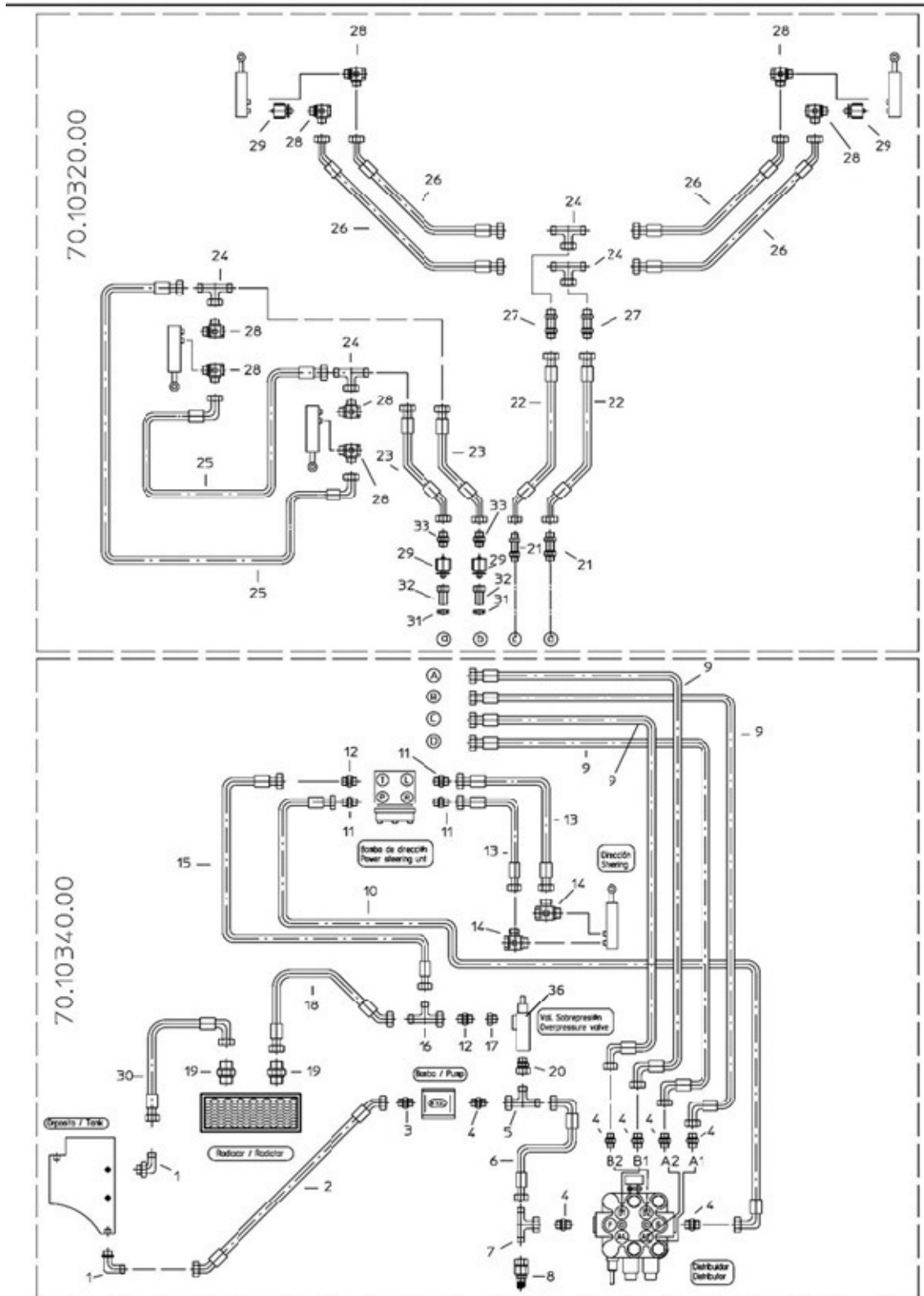


FIGURE	RÉFÉRENCE	NOM	QUANTITÉ
--------	-----------	-----	----------

001	70.10205.00	NIPPLE C90M/M 3/4GAS - 3/4GAS	2
002	70.10268.00	HYDRAULIC HOSE R1T3/4 930 C45 3/4-C45M3	1
003	70.10221.00	FITTING M/M M30x1/2BSP	1
004	70.10222.00	FITTING M/M M18x3/8BSP	7
005	70.10223.00	FITTING M/M/TL M18x1,5	1
006	70.10224.00	HYDRAULIC HOSE R2T3/8 TL-C90 M18X1,5	1
007	70.10225.00	NIPPLE FORT M/TL/M M18X1,5	1
008	70.10226.00	FITTING M/TL M16x2- M18x1,5	1
009	70.10227.00	HYDRAULIC HOSE R1T5/16 TL-C90 M18X1,5	4
010	70.10228.00	HYDRAULIC HOSE R2T3/8 TL-C90 M18X1,5	1
011	70.10229.00	FITTING	3
012	70.10230.00	FITTING	2
013	70.10231.00	HYDRAULIC HOSE R1T3/8 TL M18- TL M16	2
014	70.10232.00	FITTING C90M/M M16-1.5x1/4BSP	2
015	70.10267.00	HYDRAULIC HOSE R1T5/8 380 TL-TL M26X1.5	1
016	70.10234.00	FITTING	1
017	70.10235.00	NIPPLE M/H 3/8GAS- 1/2GAS	1
018	70.10266.00	HYDRAULIC HOSE R1T5/8 1070 TL-C45 M26X1	1
019	70.10207.00	FITTING	2
020	70.10237.00	FITTING M/TL 3/8GAS - M18x1,5	1
021	70.10255.00	FITTING	2
022	70.10256.00	HYDRAULIC HOSE R1T5/16 TL M16 - C45 M18	2
023	70.10257.00	HYDRAULIC HOSE R1T5/16 TL M16 - C45 M18	2
024	70.10258.00	FITTING	4
025	70.10259.00	HYDRAULIC HOSE R1T1/4 TL-C90 M16X1,5	2
026	70.10260.00	HYDRAULIC HOSE R1T1/4 TL-C45 M16X1,5	4
027	70.10261.00	FITTING M/M M16-1.5	2
028	70.10232.00	FITTING C90M/M M16-1.5x1/4BSP	8
029	70.10245.00	"FEED CHECK VALVE DM 1/4"GAS"	4
030	70.10269.00	HYDRAULIC HOSE R1T5/8 530 TL3/4-C90M26	1
031	70.10263.00	NUT M18x1.5	2
032	70.10262.00	"NIPPLE M/H M18-1/4"GAS"	2
033	70.10238.00	NIPPLE M/M M18X1,5 - 1/4GAS	2
034	70.10320.00	PIPELINES ACTIONNAMENT KIT	1
035	70.10340.00	HYDROSTATIC TRANSMISSION PIPESLINE KIT	1
036	20.01469.00	VALVE	1

10. HYDRAULIC INSTALLATION

SERVICE DIAGRAM (D85AHA/G)

CHÂSSIS: 58194

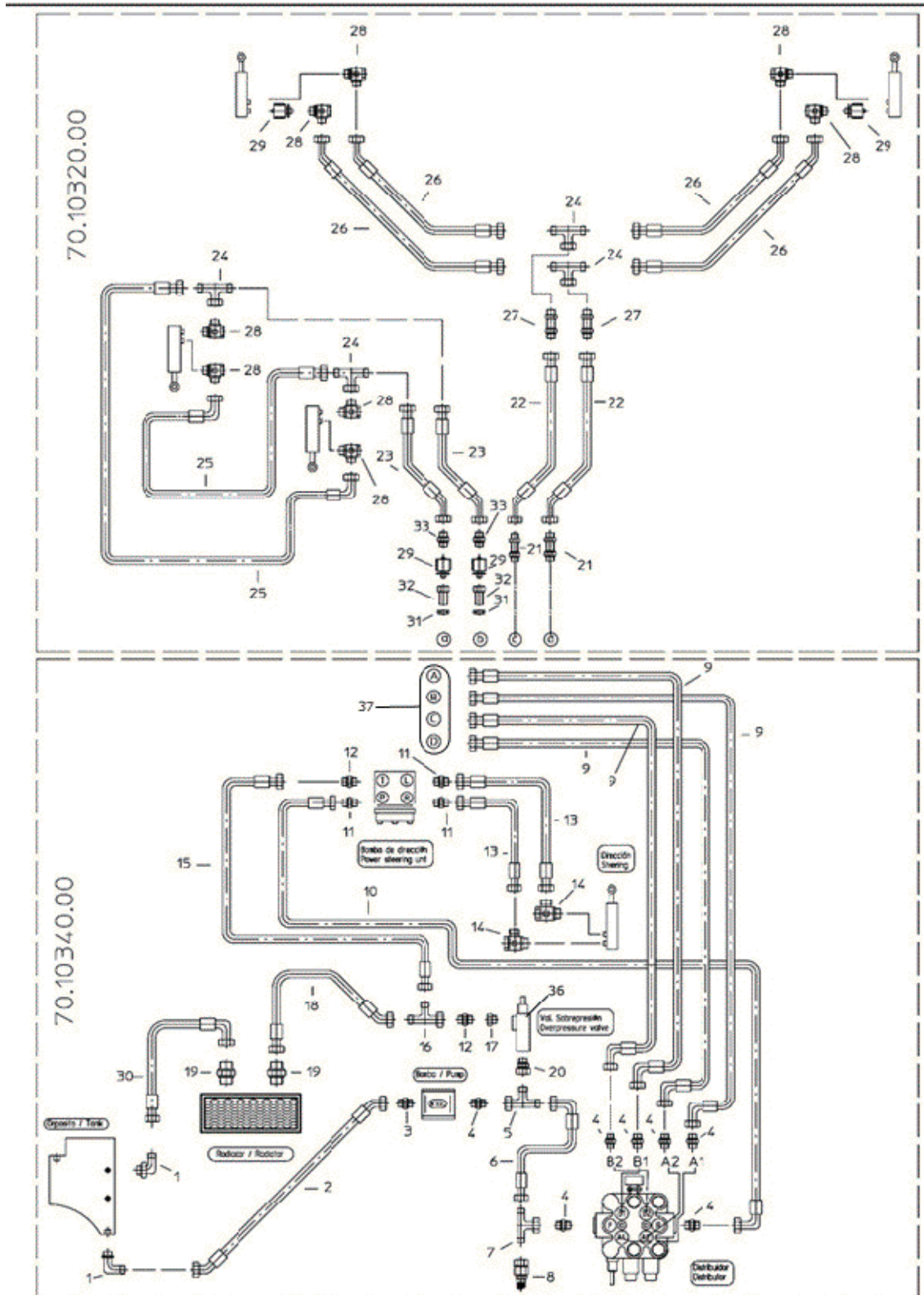


FIGURE	RÉFÉRENCE	NOM	QUANTITÉ
--------	-----------	-----	----------

001	70.10205.00	NIPPLE C90M/M 3/4GAS - 3/4GAS	2
002	70.10268.00	HYDRAULIC HOSE R1T3/4 930 C45 3/4-C45M3	1
003	70.10221.00	FITTING M/M M30x1/2BSP	1
004	70.10222.00	FITTING M/M M18x3/8BSP	7
005	70.10223.00	FITTING M/M/TL M18x1,5	1
006	70.10224.00	HYDRAULIC HOSE R2T3/8 TL-C90 M18X1,5	1
007	70.10225.00	NIPPLE FORT M/TL/M M18X1,5	1
008	70.10226.00	FITTING M/TL M16x2- M18x1,5	1
009	70.10227.00	HYDRAULIC HOSE R1T5/16 TL-C90 M18X1,5	4
010	70.10228.00	HYDRAULIC HOSE R2T3/8 TL-C90 M18X1,5	1
011	70.10229.00	FITTING	3
012	70.10230.00	FITTING	2
013	70.10231.00	HYDRAULIC HOSE R1T3/8 TL M18- TL M16	2
014	70.10232.00	FITTING C90M/M M16-1.5x1/4BSP	2
015	70.10267.00	HYDRAULIC HOSE R1T5/8 380 TL-TL M26X1.5	1
016	70.10234.00	FITTING	1
017	70.10235.00	NIPPLE M/H 3/8GAS- 1/2GAS	1
018	70.10266.00	HYDRAULIC HOSE R1T5/8 1070 TL-C45 M26X1	1
019	70.10207.00	FITTING	2
020	70.10237.00	FITTING M/TL 3/8GAS - M18x1,5	1
021	70.10255.00	FITTING	2
022	70.10256.00	HYDRAULIC HOSE R1T5/16 TL M16 - C45 M18	2
023	70.10257.00	HYDRAULIC HOSE R1T5/16 TL M16 - C45 M18	2
024	70.10258.00	FITTING	4
025	70.10259.00	HYDRAULIC HOSE R1T1/4 TL-C90 M16X1,5	2
026	70.10260.00	HYDRAULIC HOSE R1T1/4 TL-C45 M16X1,5	4
027	70.10261.00	FITTING M/M M16-1.5	2
028	70.10232.00	FITTING C90M/M M16-1.5x1/4BSP	8
029	70.10245.01	RESTRICTOR VALVE	3
030	70.10269.00	HYDRAULIC HOSE R1T5/8 530 TL3/4-C90M26	1
031	70.10263.00	NUT M18x1.5	2
032	70.10262.00	"NIPPLE M/H M18-1/4"GAS"	2
033	70.10238.00	NIPPLE M/M M18X1,5 - 1/4GAS	2
034	70.10320.01	ACT. HOSES KIT D 150 AHG	1
035	70.10340.00	HYDROSTATIC TRANSMISSION PIPELINE KIT	1
036	20.01469.00	VALVE	1

10. HYDRAULIC INSTALLATION

SERVICE DIAGRAM (D85AHA/G)

CHÂSSIS: 58194

FIGURE	RÉFÉRENCE	NOM	QUANTITÉ
037	70.10080.00	RACORD	4

10. HYDRAULIC INSTALLATION SERVICE DIAGRAM (D100AHA/G)

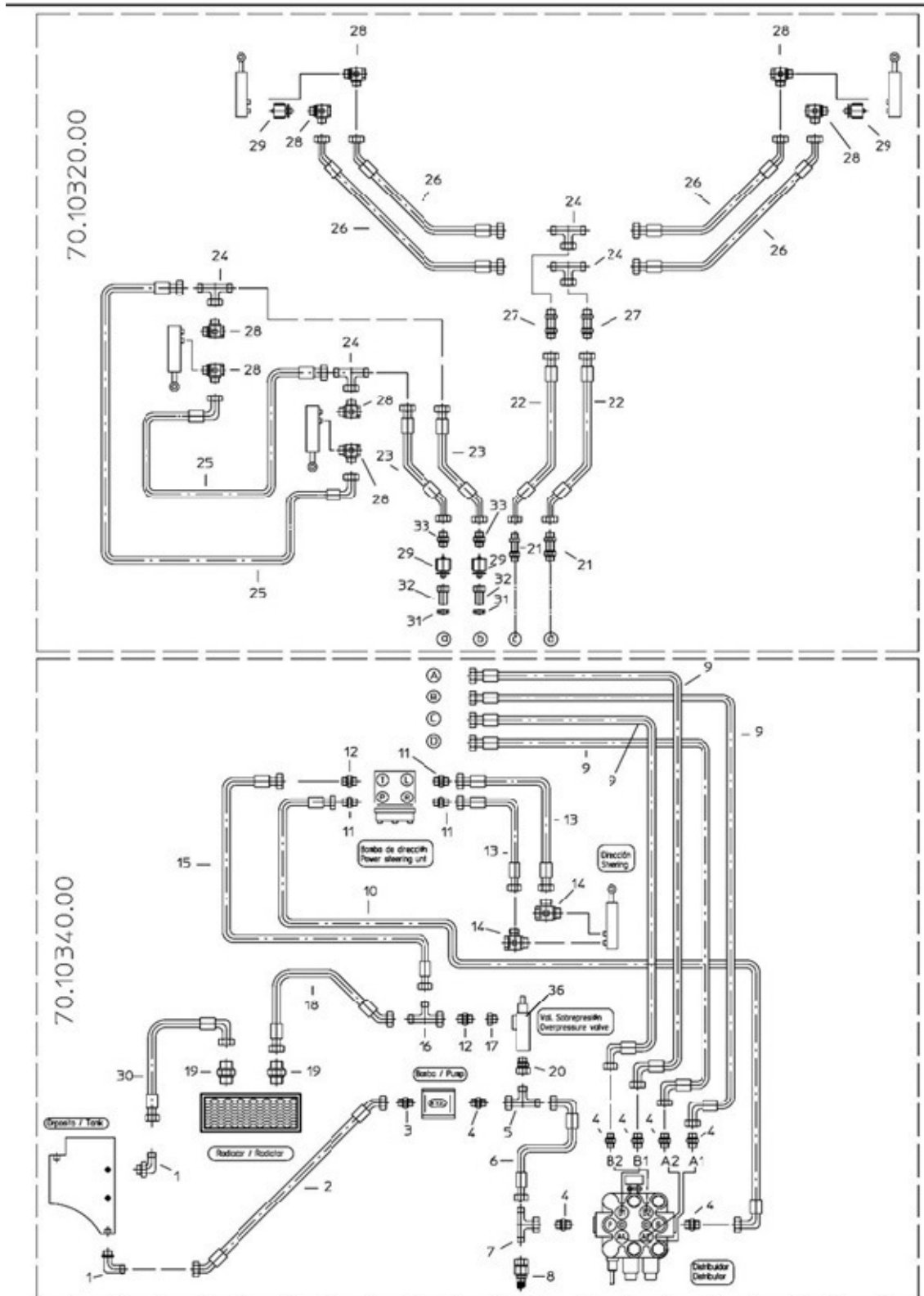


FIGURE	RÉFÉRENCE	NOM	QUANTITÉ
--------	-----------	-----	----------

001	70.10205.00	NIPPLE C90M/M 3/4GAS - 3/4GAS	2
002	70.10268.00	HYDRAULIC HOSE R1T3/4 930 C45 3/4-C45M3	1
003	70.10221.00	FITTING M/M M30x1/2BSP	1
004	70.10222.00	FITTING M/M M18x3/8BSP	7
005	70.10223.00	FITTING M/M/TL M18x1,5	1
006	70.10224.00	HYDRAULIC HOSE R2T3/8 TL-C90 M18X1,5	1
007	70.10225.00	NIPPLE FORT M/TL/M M18X1,5	1
008	70.10226.00	FITTING M/TL M16x2- M18x1,5	1
009	70.10227.00	HYDRAULIC HOSE R1T5/16 TL-C90 M18X1,5	4
010	70.10228.00	HYDRAULIC HOSE R2T3/8 TL-C90 M18X1,5	1
011	70.10229.00	FITTING	3
012	70.10230.00	FITTING	2
013	70.10231.00	HYDRAULIC HOSE R1T3/8 TL M18- TL M16	2
014	70.10232.00	FITTING C90M/M M16-1.5x1/4BSP	2
015	70.10267.00	HYDRAULIC HOSE R1T5/8 380 TL-TL M26X1.5	1
016	70.10234.00	FITTING	1
017	70.10235.00	NIPPLE M/H 3/8GAS- 1/2GAS	1
018	70.10266.00	HYDRAULIC HOSE R1T5/8 1070 TL-C45 M26X1	1
019	70.10207.00	FITTING	2
020	70.10237.00	FITTING M/TL 3/8GAS - M18x1,5	1
021	70.10255.00	FITTING	2
022	70.10256.00	HYDRAULIC HOSE R1T5/16 TL M16 - C45 M18	2
023	70.10257.00	HYDRAULIC HOSE R1T5/16 TL M16 - C45 M18	2
024	70.10258.00	FITTING	4
025	70.10259.00	HYDRAULIC HOSE R1T1/4 TL-C90 M16X1,5	2
026	70.10260.00	HYDRAULIC HOSE R1T1/4 TL-C45 M16X1,5	4
027	70.10261.00	FITTING M/M M16-1.5	2
028	70.10232.00	FITTING C90M/M M16-1.5x1/4BSP	8
029	70.10245.00	"FEED CHECK VALVE DM 1/4"GAS"	4
030	70.10269.00	HYDRAULIC HOSE R1T5/8 530 TL3/4-C90M26	1
031	70.10263.00	NUT M18x1.5	2
032	70.10262.00	"NIPPLE M/H M18-1/4"GAS"	2
033	70.10238.00	NIPPLE M/M M18X1,5 - 1/4GAS	2
034	70.10320.00	PIPELINES ACTIONNAMENT KIT	1
035	70.10340.00	HYDROSTATIC TRANSMISSION PIPESLINE KIT	1
036	20.01469.00	VALVE	1

10. HYDRAULIC INSTALLATION

SERVICE DIAGRAM (D100AHA/G)

CHÂSSIS: 58194

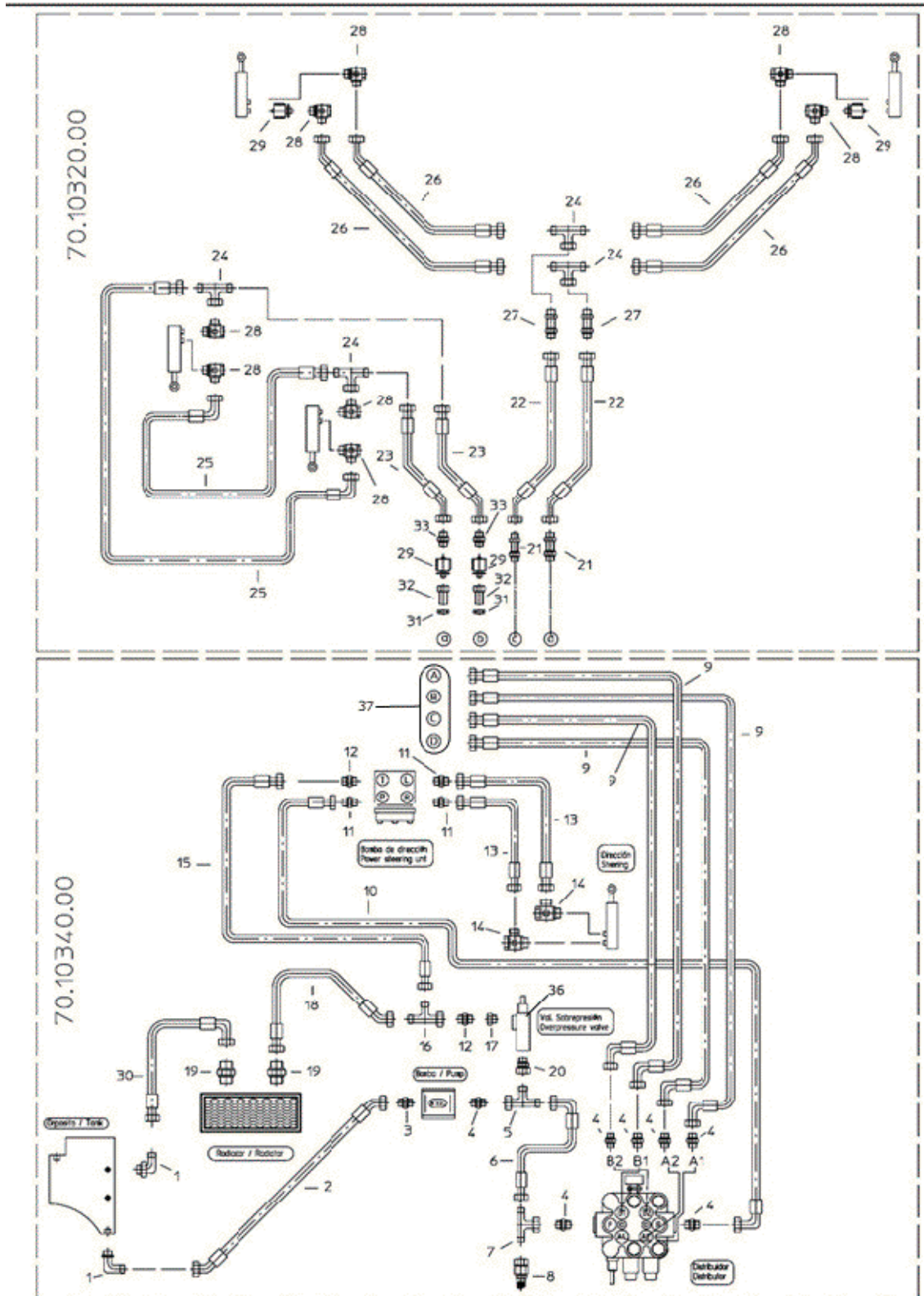


FIGURE	RÉFÉRENCE	NOM	QUANTITÉ
--------	-----------	-----	----------

001	70.10205.00	NIPPLE C90M/M 3/4GAS - 3/4GAS	2
002	70.10268.00	HYDRAULIC HOSE R1T3/4 930 C45 3/4-C45M3	1
003	70.10221.00	FITTING M/M M30x1/2BSP	1
004	70.10222.00	FITTING M/M M18x3/8BSP	7
005	70.10223.00	FITTING M/M/TL M18x1,5	1
006	70.10224.00	HYDRAULIC HOSE R2T3/8 TL-C90 M18X1,5	1
007	70.10225.00	NIPPLE FORT M/TL/M M18X1,5	1
008	70.10226.00	FITTING M/TL M16x2- M18x1,5	1
009	70.10227.00	HYDRAULIC HOSE R1T5/16 TL-C90 M18X1,5	4
010	70.10228.00	HYDRAULIC HOSE R2T3/8 TL-C90 M18X1,5	1
011	70.10229.00	FITTING	3
012	70.10230.00	FITTING	2
013	70.10231.00	HYDRAULIC HOSE R1T3/8 TL M18- TL M16	2
014	70.10232.00	FITTING C90M/M M16-1.5x1/4BSP	2
015	70.10267.00	HYDRAULIC HOSE R1T5/8 380 TL-TL M26X1.5	1
016	70.10234.00	FITTING	1
017	70.10235.00	NIPPLE M/H 3/8GAS- 1/2GAS	1
018	70.10266.00	HYDRAULIC HOSE R1T5/8 1070 TL-C45 M26X1	1
019	70.10207.00	FITTING	2
020	70.10237.00	FITTING M/TL 3/8GAS - M18x1,5	1
021	70.10255.00	FITTING	2
022	70.10256.00	HYDRAULIC HOSE R1T5/16 TL M16 - C45 M18	2
023	70.10257.00	HYDRAULIC HOSE R1T5/16 TL M16 - C45 M18	2
024	70.10258.00	FITTING	4
025	70.10259.00	HYDRAULIC HOSE R1T1/4 TL-C90 M16X1,5	2
026	70.10260.00	HYDRAULIC HOSE R1T1/4 TL-C45 M16X1,5	4
027	70.10261.00	FITTING M/M M16-1.5	2
028	70.10232.00	FITTING C90M/M M16-1.5x1/4BSP	8
029	70.10245.01	RESTRICTOR VALVE	3
030	70.10269.00	HYDRAULIC HOSE R1T5/8 530 TL3/4-C90M26	1
031	70.10263.00	NUT M18x1.5	2
032	70.10262.00	"NIPPLE M/H M18-1/4"GAS"	2
033	70.10238.00	NIPPLE M/M M18X1,5 - 1/4GAS	2
034	70.10320.01	ACT. HOSES KIT D 150 AHG	1
035	70.10340.00	HYDROSTATIC TRANSMISSION PIPELINE KIT	1
036	20.01469.00	VALVE	1

10. HYDRAULIC INSTALLATION

SERVICE DIAGRAM (D100AHA/G)

CHÂSSIS: 58194

FIGURE	RÉFÉRENCE	NOM	QUANTITÉ
037	70.10080.00	RACORD	4

10. HYDRAULIC INSTALLATION

SERVICE DIAGRAM (D100AHA/G)

CHÂSSIS: 79314

● 00A. KIT ACCIONAMIENTOS / MACHINE FUNCTIONS KIT

● 00B. KIT DIRECCIÓN / STEERING KIT

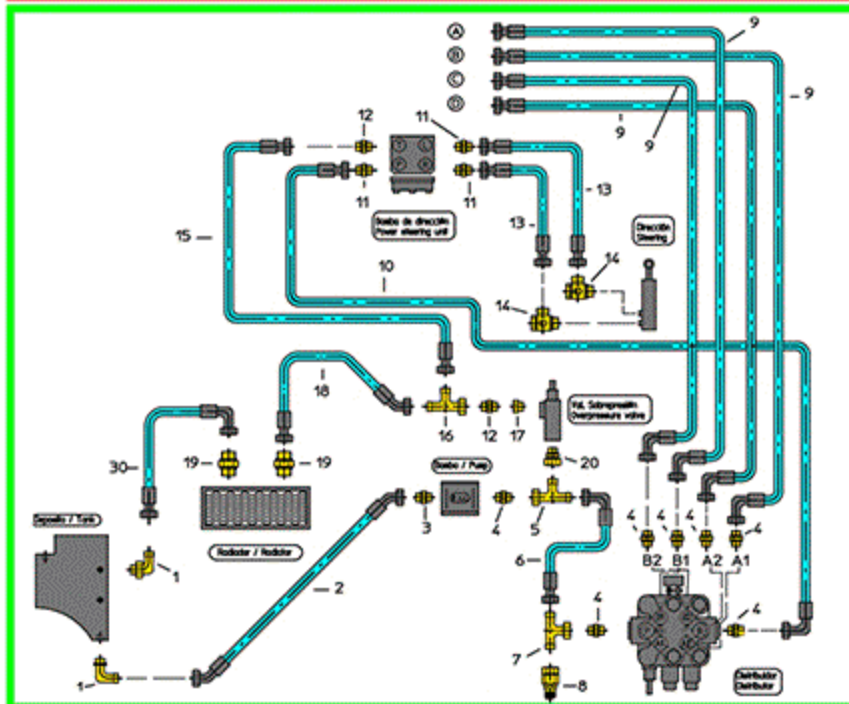
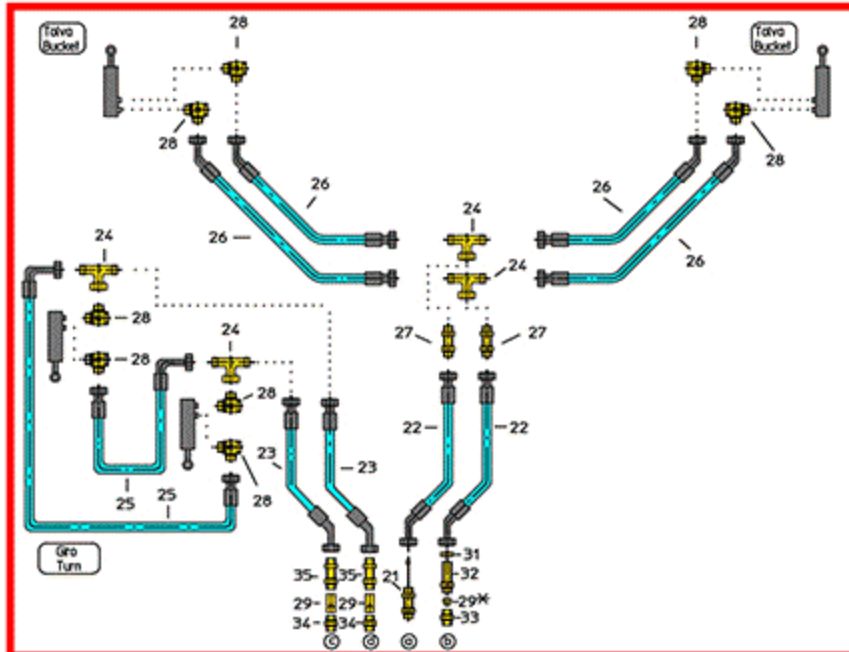


FIGURE	RÉFÉRENCE	NOM	QUANTITÉ
000A	70.10320.02	FUNCTION HYDRAULIC KIT	1
000B	70.10340.00	HYDROSTATIC TRANSMISSION PIPELINE KIT	1

001	70.10205.00	NIPPLE C90M/M 3/4GAS - 3/4GAS	2
002	70.10268.00	HYDRAULIC HOSE R1T3/4 930 C45 3/4-C45M3	1
003	70.10221.00	FITTING M/M M30x1/2BSP	1
004	70.10222.00	FITTING M/M M18x3/8BSP	7
005	70.10223.00	FITTING M/M/TL M18x1,5	1
006	70.10224.00	HYDRAULIC HOSE R2T3/8 TL-C90 M18X1,5	1
007	70.10225.00	NIPPLE FORT M/TL/M M18X1,5	1
008	70.10226.00	FITTING M/TL M16x2- M18x1,5	1
009	70.10227.00	HYDRAULIC HOSE R1T5/16 TL-C90 M18X1,5	4
010	70.10228.00	HYDRAULIC HOSE R2T3/8 TL-C90 M18X1,5	1
011	70.10229.00	FITTING	3
012	70.10230.00	FITTING	2
013	70.10231.00	HYDRAULIC HOSE R1T3/8 TL M18- TL M16	2
014	70.10232.00	FITTING C90M/M M16-1.5x1/4BSP	2
015	70.10267.00	HYDRAULIC HOSE R1T5/8 380 TL-TL M26X1.5	1
016	70.10234.00	FITTING	1
017	70.10235.00	NIPPLE M/H 3/8GAS- 1/2GAS	1
018	70.10266.00	HYDRAULIC HOSE R1T5/8 1070 TL-C45 M26X1	1
019	70.10207.00	FITTING	2
020	70.10237.00	FITTING M/TL 3/8GAS - M18x1,5	1
021	70.10255.00	FITTING	1
022	70.10256.00	HYDRAULIC HOSE R1T5/16 TL M16 - C45 M18	2
023	70.10257.00	HYDRAULIC HOSE R1T5/16 TL M16 - C45 M18	2
024	70.10258.00	FITTING	4
025	70.10259.00	HYDRAULIC HOSE R1T1/4 TL-C90 M16X1,5	2
026	70.10260.00	HYDRAULIC HOSE R1T1/4 TL-C45 M16X1,5	4
027	70.10261.00	FITTING M/M M16-1.5	2
028	70.10232.00	FITTING C90M/M M16-1.5x1/4BSP	8
029	64.10326.11		2
030	70.10269.00	HYDRAULIC HOSE R1T5/8 530 TL3/4-C90M26	1
031	70.10263.00	NUT M18x1.5	3
032	70.10262.00	"NIPPLE M/H M18-1/4""GAS"	3
033	70.10238.00	NIPPLE M/M M18X1,5 - 1/4GAS	1
034	48.10836.00	RACOR M/M MB 3/8 BSP - MM M18L	2

10. HYDRAULIC INSTALLATION

SERVICE DIAGRAM (D100AHA/G)

CHÂSSIS: 79314

FIGURE	RÉFÉRENCE	NOM	QUANTITÉ
--------	-----------	-----	----------



035 65.10830.00

2

10. HYDRAULIC INSTALLATION

SERVICE DIAGRAM (D100AHA/G)

CHÂSSIS: 84146

● 00A. KIT ACCIONAMIENTOS / MACHINE FUNCTIONS KIT

● 00B. KIT DIRECCIÓN / STEERING KIT

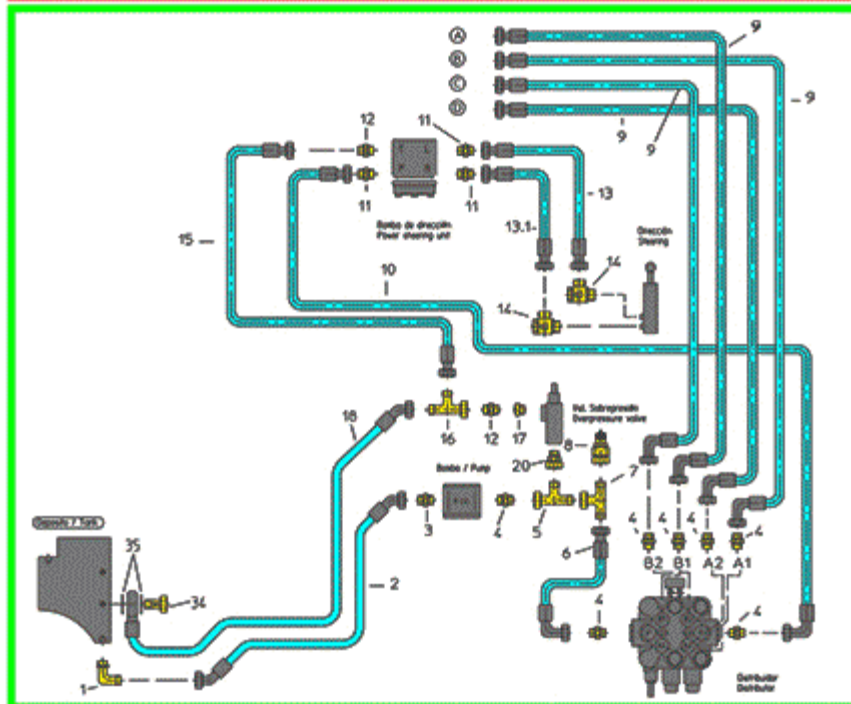
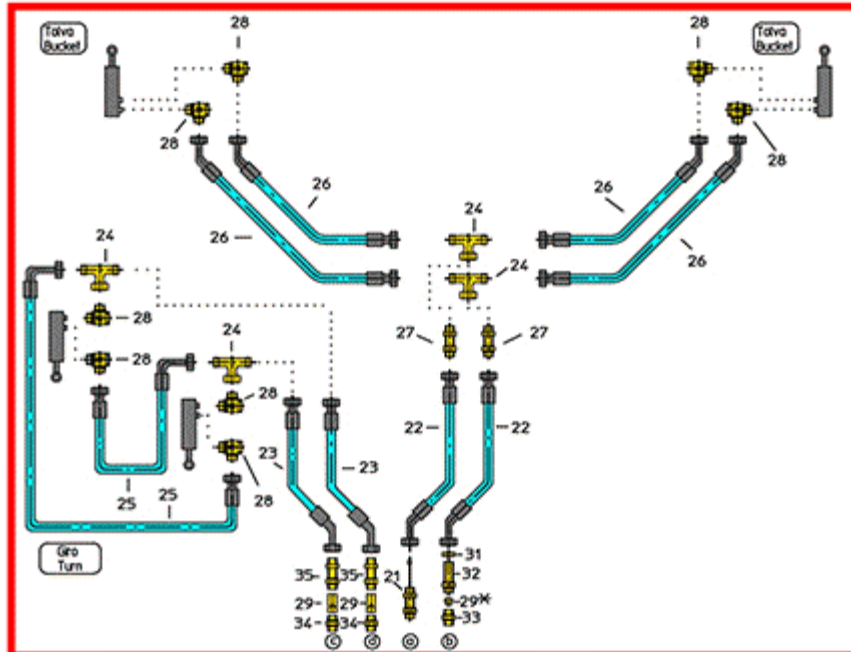


FIGURE	RÉFÉRENCE	NOM	QUANTITÉ
000A	70.10320.02	FUNCTION HYDRAULIC KIT	1
000B	70.10305.00		1

001	48.10236.00	RACOR C90MO/M -MO3/4"BSP / M30	1
002	70.10268.02	HYDRAULIC HOSE R1T3/4 930 C45 3/4-C45M3	1
003	70.10221.00	FITTING M/M M30x1/2BSP	1
004	70.10222.00	FITTING M/M M18x3/8BSP	7
005	70.10223.00	FITTING M/M/TL M18x1,5	1
006	70.10224.00	HYDRAULIC HOSE R2T3/8 TL-C90 M18X1,5	1
007	70.10225.00	NIPPLE FORT M/TL/M M18X1,5	1
008	70.10226.00	FITTING M/TL M16x2- M18x1,5	1
009	70.10227.00	HYDRAULIC HOSE R1T5/16 TL-C90 M18X1,5	4
010	70.10228.00	HYDRAULIC HOSE R2T3/8 TL-C90 M18X1,5	1
011	70.10229.00	FITTING	3
012	48.10433.00	FITTING	2
013	70.10231.00	HYDRAULIC HOSE R1T3/8 TL M18- TL M16	2
013.1	70.10231.01	HYDRAULIC HOSE R1T3/8 TL M18- TL M16	1
014	70.10232.00	FITTING C90M/M M16-1.5x1/4BSP	2
015	70.10267.00	HYDRAULIC HOSE R1T5/8 380 TL-TL M26X1.5	1
016	70.10234.00	FITTING	1
017	70.10235.00	NIPPLE M/H 3/8GAS- 1/2GAS	1
018	70.10105.00		1
020	70.10237.00	FITTING M/TL 3/8GAS - M18x1,5	1
021	70.10255.00	FITTING	1
022	70.10256.00	HYDRAULIC HOSE R1T5/16 TL M16 - C45 M18	2
023	70.10257.00	HYDRAULIC HOSE R1T5/16 TL M16 - C45 M18	2
024	70.10258.00	FITTING	4
025	70.10259.00	HYDRAULIC HOSE R1T1/4 TL-C90 M16X1,5	2
026	70.10260.00	HYDRAULIC HOSE R1T1/4 TL-C45 M16X1,5	4
027	70.10261.00	FITTING M/M M16-1.5	2
028	70.10232.00	FITTING C90M/M M16-1.5x1/4BSP	8
029	64.10326.11		2
030	70.10269.00	HYDRAULIC HOSE R1T5/8 530 TL3/4-C90M26	1
031	70.10263.00	NUT M18x1.5	3
032	70.10262.00	"NIPPLE M/H M18-1/4"GAS"	3
033	70.10238.00	NIPPLE M/M M18X1,5 - 1/4GAS	1
034	48.10836.00	RACOR M/M MB 3/8 BSP - MM M18L	2

10. HYDRAULIC INSTALLATION

SERVICE DIAGRAM (D100AHA/G)

CHÂSSIS: 84146

FIGURE	RÉFÉRENCE	NOM	QUANTITÉ
--------	-----------	-----	----------



035 65.10830.00

2

10. HYDRAULIC INSTALLATION SERVICE DIAGRAM (D120AHA/G)

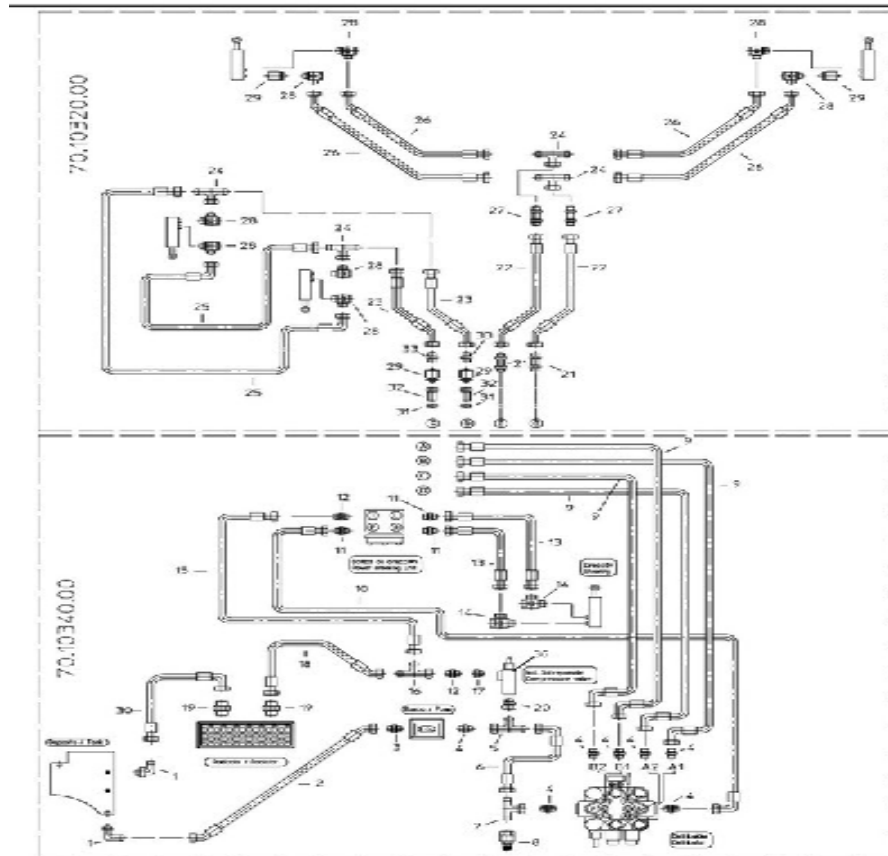


FIGURE	RÉFÉRENCE	NOM	QUANTITÉ
001	70.10205.00	NIPPLE C90M/M 3/4GAS - 3/4GAS	2
002	70.10268.00	HYDRAULIC HOSE R1T3/4 930 C45 3/4-C45M3	1
003	70.10221.00	FITTING M/M M30x1/2BSP	1
004	70.10222.00	FITTING M/M M18x3/8BSP	7
005	70.10223.00	FITTING M/M/TL M18x1,5	1
006	70.10224.00	HYDRAULIC HOSE R2T3/8 TL-C90 M18X1,5	1
007	70.10225.00	NIPPLE FORT M/TL/M M18X1,5	1
008	70.10226.00	FITTING M/TL M16x2- M18x1,5	1
009	70.10227.00	HYDRAULIC HOSE R1T5/16 TL-C90 M18X1,5	4
010	70.10228.00	HYDRAULIC HOSE R2T3/8 TL-C90 M18X1,5	1
011	70.10229.00	FITTING	3
012	70.10230.00	FITTING	2
013	70.10231.00	HYDRAULIC HOSE R1T3/8 TL M18- TL M16	2
014	70.10232.00	FITTING C90M/M M16-1.5x1/4BSP	2
015	70.10267.00	HYDRAULIC HOSE R1T5/8 380 TL-TL M26X1.5	1
016	70.10234.00	FITTING	1

017	70.10235.00	NIPPLE M/H 3/8GAS- 1/2GAS	1
018	70.10266.00	HYDRAULIC HOSE R1T5/8 1070 TL-C45 M26X1	1

10. HYDRAULIC INSTALLATION

SERVICE DIAGRAM (D120AHA/G)

FIGURE	RÉFÉRENCE	NOM	QUANTITÉ
019	70.10207.00	FITTING	2
020	70.10237.00	FITTING M/TL 3/8GAS - M18x1,5	1
021	70.10255.00	FITTING	2
022	70.10256.00	HYDRAULIC HOSE R1T5/16 TL M16 - C45 M18	2
023	70.10257.00	HYDRAULIC HOSE R1T5/16 TL M16 - C45 M18	2
024	70.10258.00	FITTING	4
025	70.10259.00	HYDRAULIC HOSE R1T1/4 TL-C90 M16X1,5	2
026	70.10260.00	HYDRAULIC HOSE R1T1/4 TL-C45 M16X1,5	4
027	70.10261.00	FITTING M/M M16-1.5	2
028	70.10232.00	FITTING C90M/M M16-1.5x1/4BSP	8
029	70.10245.00	"FEED CHECK VALVE DM 1/4""GAS"	4
030	70.10269.00	HYDRAULIC HOSE R1T5/8 530 TL3/4-C90M26	1
031	70.10263.00	NUT M18x1.5	2
032	70.10262.00	"NIPPLE M/H M18-1/4""GAS"	2
033	70.10238.00	NIPPLE M/M M18X1,5 - 1/4GAS	2
034	70.10320.00	PIPELINES ACTIONNAMENT KIT	1
035	70.10340.00	HYDROSTATIC TRANSMISSION PIPESLINE KIT	1
036	20.01469.00	VALVE	1

10. HYDRAULIC INSTALLATION

SERVICE DIAGRAM (D120AHA/G)

CHÂSSIS: 58194

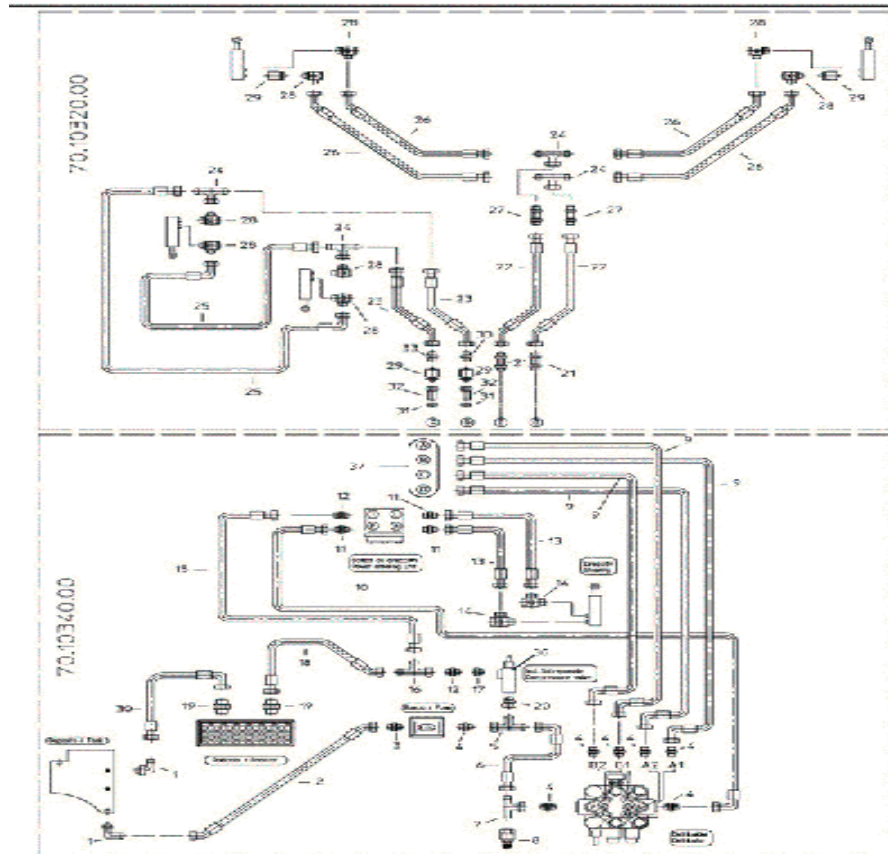


FIGURE	RÉFÉRENCE	NOM	QUANTITÉ
001	70.10205.00	NIPPLE C90M/M 3/4GAS - 3/4GAS	2
002	70.10268.00	HYDRAULIC HOSE R1T3/4 930 C45 3/4-C45M3	1
003	70.10221.00	FITTING M/M M30x1/2BSP	1
004	70.10222.00	FITTING M/M M18x3/8BSP	7
005	70.10223.00	FITTING M/M/TL M18x1,5	1
006	70.10224.00	HYDRAULIC HOSE R2T3/8 TL-C90 M18X1,5	1
007	70.10225.00	NIPPLE FORT M/TL/M M18X1,5	1
008	70.10226.00	FITTING M/TL M16x2- M18x1,5	1
009	70.10227.00	HYDRAULIC HOSE R1T5/16 TL-C90 M18X1,5	4
010	70.10228.00	HYDRAULIC HOSE R2T3/8 TL-C90 M18X1,5	1
011	70.10229.00	FITTING	3
012	70.10230.00	FITTING	2
013	70.10231.00	HYDRAULIC HOSE R1T3/8 TL M18- TL M16	2
014	70.10232.00	FITTING C90M/M M16-1.5x1/4BSP	2
015	70.10267.00	HYDRAULIC HOSE R1T5/8 380 TL-TL M26X1.5	1
016	70.10234.00	FITTING	1

017	70.10235.00	NIPPLE M/H 3/8GAS- 1/2GAS	1
018	70.10266.00	HYDRAULIC HOSE R1T5/8 1070 TL-C45 M26X1	1

10. HYDRAULIC INSTALLATION

SERVICE DIAGRAM (D120AHA/G)

CHÂSSIS: 58194

FIGURE	RÉFÉRENCE	NOM	QUANTITÉ
019	70.10207.00	FITTING	2
020	70.10237.00	FITTING M/TL 3/8GAS - M18x1,5	1
021	70.10255.00	FITTING	2
022	70.10256.00	HYDRAULIC HOSE R1T5/16 TL M16 - C45 M18	2
023	70.10257.00	HYDRAULIC HOSE R1T5/16 TL M16 - C45 M18	2
024	70.10258.00	FITTING	4
025	70.10259.00	HYDRAULIC HOSE R1T1/4 TL-C90 M16X1,5	2
026	70.10260.00	HYDRAULIC HOSE R1T1/4 TL-C45 M16X1,5	4
027	70.10261.00	FITTING M/M M16-1.5	2
028	70.10232.00	FITTING C90M/M M16-1.5x1/4BSP	8
029	70.10245.01	RESTRICTOR VALVE	3
030	70.10269.00	HYDRAULIC HOSE R1T5/8 530 TL3/4-C90M26	1
031	70.10263.00	NUT M18x1.5	2
032	70.10262.00	"NIPPLE M/H M18-1/4""GAS"	2
033	70.10238.00	NIPPLE M/M M18X1,5 - 1/4GAS	2
034	70.10320.01	ACT. HOSES KIT D 150 AHG	1
035	70.10340.00	HYDROSTATIC TRANSMISSION PIPESLINE KIT	1
036	20.01469.00	VALVE	1
037	70.10080.00	RACORD	4

10. HYDRAULIC INSTALLATION

SERVICE DIAGRAM (D120AHA/G)

CHÂSSIS: 79314

● 00A. KIT ACCIONAMIENTOS / MACHINE FUNCTIONS KIT

● 00B. KIT DIRECCIÓN / STEERING KIT

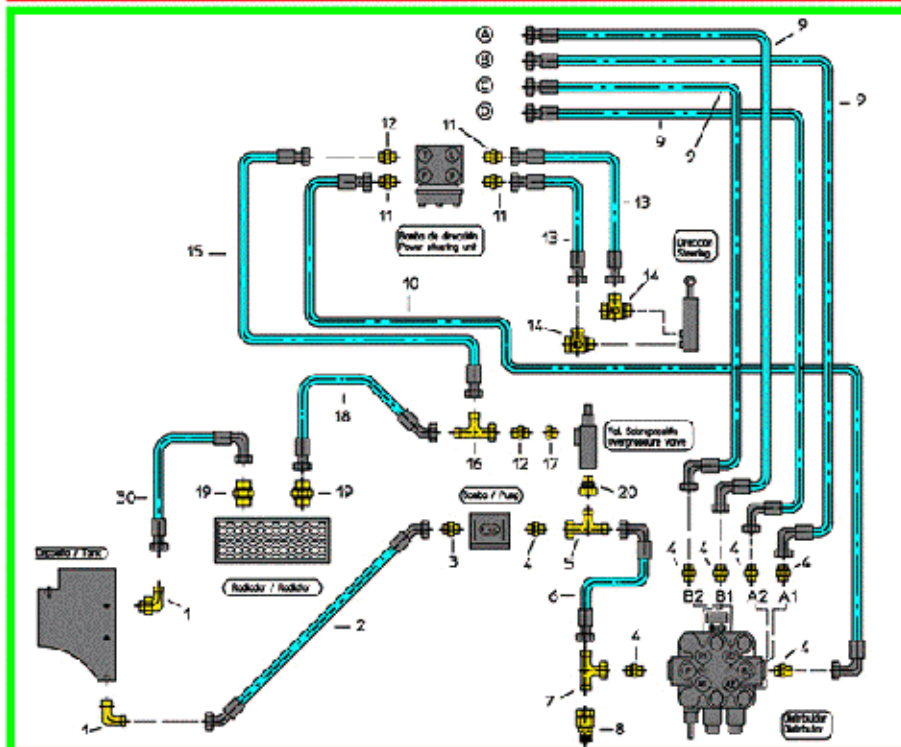
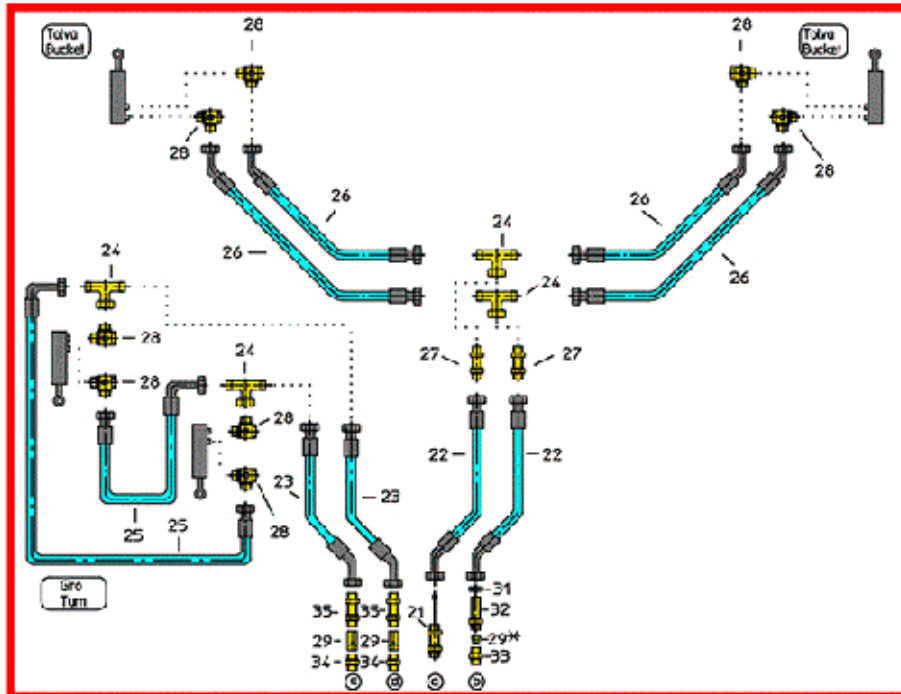


FIGURE RÉFÉRENCE

NOM

QUANTITÉ

000A	70.10320.02	FUNCTION HYDRAULIC KIT	1
000B	70.10340.00	HYDROSTATIC TRANSMISSION PIPESLINE KIT	1
001	70.10205.00	NIPPLE C90M/M 3/4GAS - 3/4GAS	2
002	70.10268.00	HYDRAULIC HOSE R1T3/4 930 C45 3/4-C45M3	1
003	70.10221.00	FITTING M/M M30x1/2BSP	1
004	70.10222.00	FITTING M/M M18x3/8BSP	7
005	70.10223.00	FITTING M/M/TL M18x1,5	1
006	70.10224.00	HYDRAULIC HOSE R2T3/8 TL-C90 M18X1,5	1
007	70.10225.00	NIPPLE FORT M/TL/M M18X1,5	1
008	70.10226.00	FITTING M/TL M16x2- M18x1,5	1
009	70.10227.00	HYDRAULIC HOSE R1T5/16 TL-C90 M18X1,5	4
010	70.10228.00	HYDRAULIC HOSE R2T3/8 TL-C90 M18X1,5	1
011	70.10229.00	FITTING	3
012	70.10230.00	FITTING	2
013	70.10231.00	HYDRAULIC HOSE R1T3/8 TL M18- TL M16	2
014	70.10232.00	FITTING C90M/M M16-1.5x1/4BSP	2
015	70.10267.00	HYDRAULIC HOSE R1T5/8 380 TL-TL M26X1.5	1
016	70.10234.00	FITTING	1
017	70.10235.00	NIPPLE M/H 3/8GAS- 1/2GAS	1
018	70.10266.00	HYDRAULIC HOSE R1T5/8 1070 TL-C45 M26X1	1
019	70.10207.00	FITTING	2
020	70.10237.00	FITTING M/TL 3/8GAS - M18x1,5	1
021	70.10255.00	FITTING	1
022	70.10256.00	HYDRAULIC HOSE R1T5/16 TL M16 - C45 M18	2
023	70.10257.00	HYDRAULIC HOSE R1T5/16 TL M16 - C45 M18	2
024	70.10258.00	FITTING	4
025	70.10259.00	HYDRAULIC HOSE R1T1/4 TL-C90 M16X1,5	2
026	70.10260.00	HYDRAULIC HOSE R1T1/4 TL-C45 M16X1,5	4
027	70.10261.00	FITTING M/M M16-1.5	2
028	70.10232.00	FITTING C90M/M M16-1.5x1/4BSP	8
029	64.10326.11		2
030	70.10269.00	HYDRAULIC HOSE R1T5/8 530 TL3/4-C90M26	1
031	70.10263.00	NUT M18x1.5	3
032	70.10262.00	"NIPPLE M/H M18-1/4"GAS"	3
033	70.10238.00	NIPPLE M/M M18X1,5 - 1/4GAS	1
034	48.10836.00	RACOR M/M MB 3/8 BSP - MM M18L	2

10. HYDRAULIC INSTALLATION

SERVICE DIAGRAM (D120AHA/G)

CHÂSSIS: 79314

FIGURE	RÉFÉRENCE	NOM	QUANTITÉ
035	65.10830.00		2

COMMENTAIRES

MOD.4874

10. HYDRAULIC INSTALLATION TRANSMISSION

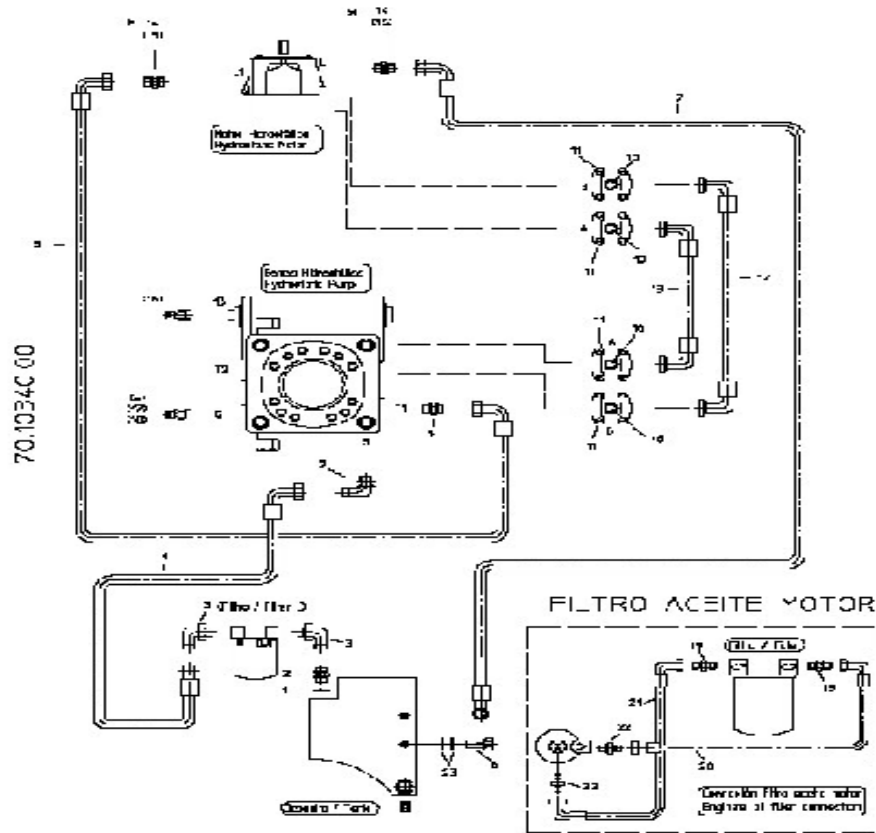


FIGURE	RÉFÉRENCE	NOM	QUANTITÉ
001	70.10200.00	METAL GASKET BUNA 1"	1
002	70.10201.00	"NIPPLE M/TL 1" GAS X 1" 1/4 GAS"	1
003	70.10202.00	FITTING C90M/M 11/4G - 11/4G	2
004	70.10264.00	HYDRAULIC HOSE R1T1 C90 15/16-11/4	1
005	70.10204.00	NIPPLE C90M/M M33X2 - 1 5/16G	1
006	70.10270.00	"NIPPLE SIMPLE SCREW 3/4" GAS"	1
007	70.10265.00	HYDRAULIC HOSE R1T5/8 1200 C90M26-OR3/4	1
008	70.10209.00	HYDRAULIC HOSE R1T5/8640 C90-C90 M26X1,	1
009	70.10210.00	FITTING M/M M26xM22	1
010	70.10211.00	FITTING M/M M30-3/4GAS	4
011	70.10212.00	CLAMP SAE6000 3/4	4
012	70.10213.00	HYDRAULIC HOSE 371 C90-C90 950 3/4SAE60	1
013	70.10214.00	HYDRAULIC HOSE 371 C90-C90 1050 3/4SAE6	1
014	70.10215.00	RACORD	2
015	70.10216.00	"NIPPLE M/M M26X1.5-7/8" UNF"	2
016	70.10218.00	FITTING M/M M16x2-M12x1.5	2

017	70.10218.00	FITTING M/M M16x2-M12x1.5	1
018	70.10217.00	CONTROL NIPPLE M/M M16X2-M10X1	1

10. HYDRAULIC INSTALLATION TRANSMISSION

FIGURE	RÉFÉRENCE	NOM	QUANTITÉ
019	70.10229.00	FITTING	2
020	70.10271.00	HYDRAULIC HOSE R1T3/8 800 TL-C90 M18X1.	1
021	70.10272.00	HYDRAULIC HOSE R1T3/8 970 C90-C90 M18X1	1
022	70.10273.00	RACOR M/M M18X1.5-M16X1.5	2
023	45.01423.00	GASKET	2

10. HYDRAULIC INSTALLATION TRANSMISSION DIAGRAM (D100AHA/G)

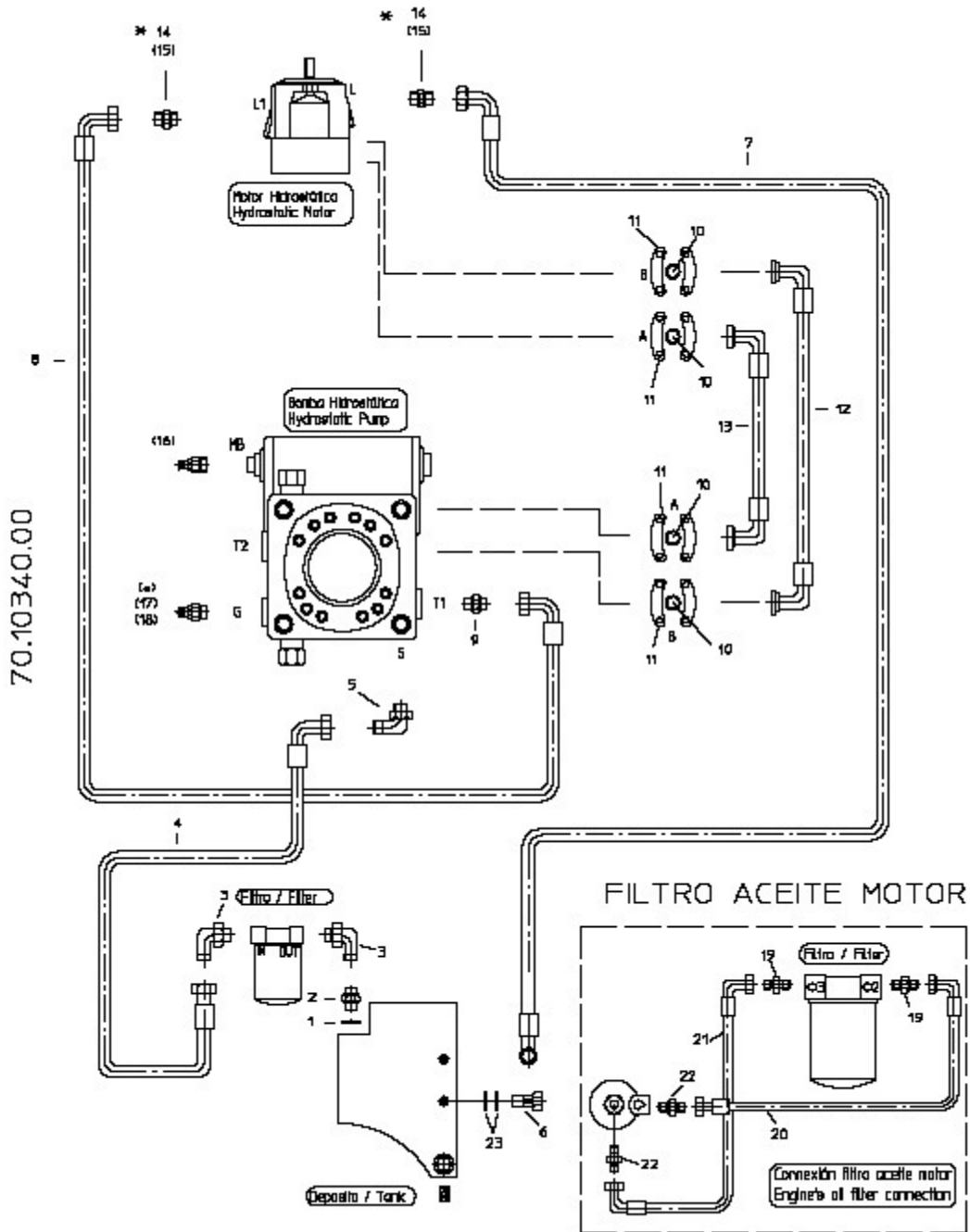


FIGURE	RÉFÉRENCE	NOM	QUANTITÉ
001	70.10200.00	METAL GASKET BUNA 1"	1
002	70.10201.00	"NIPPLE M/TL 1"GAS X 1"1/4GAS"	1
003	70.10202.00	FITTING C90M/M 11/4G - 11/4G	2
004	70.10264.00	HYDRAULIC HOSE R1T1 C90 15/16-11/4	1
005	70.10204.00	NIPPLE C90M/M M33X2 - 1`5/16G	1

006	70.10270.00	"NIPPLE SIMPLE SCREW 3/4"" GAS"	1
007	70.10265.00	HYDRAULIC HOSE R1T5/8 1200 C90M26-OR3/4	1
008	70.10209.00	HYDRAULIC HOSE R1T5/8640 C90-C90 M26X1,	1
009	70.10210.00	FITTING M/M M26xM22	1
010	70.10211.00	FITTING M/M M30-3/4GAS	4
011	70.10212.00	CLAMP SAE6000 3/4	4
012	70.10213.00	HYDRAULIC HOSE 371 C90-C90 950 3/4SAE60	1
013	70.10214.00	HYDRAULIC HOSE 371 C90-C90 1050 3/4SAE6	1
014	70.10215.00	RACORD	2
015	70.10216.00	"NIPPLE M/M M26X1.5-7/8""UNF"	2
016	70.10218.00	FITTING M/M M16x2-M12x1.5	2
017	70.10218.00	FITTING M/M M16x2-M12x1.5	1
018	70.10217.00	CONTROL NIPPLE M/M M16X2-M10X1	1
019	70.10229.00	FITTING	2
020	70.10271.00	HYDRAULIC HOSE R1T3/8 800 TL-C90 M18X1.	1
021	70.10272.00	HYDRAULIC HOSE R1T3/8 970 C90-C90 M18X1	1
022	70.10273.00	RACOR M/M M18X1.5-M16X1.5	2
023	45.01423.00	GASKET	2

10. HYDRAULIC INSTALLATION TRANSMISSION DIAGRAM (D100AHA/G)

CHÂSSIS: 84146

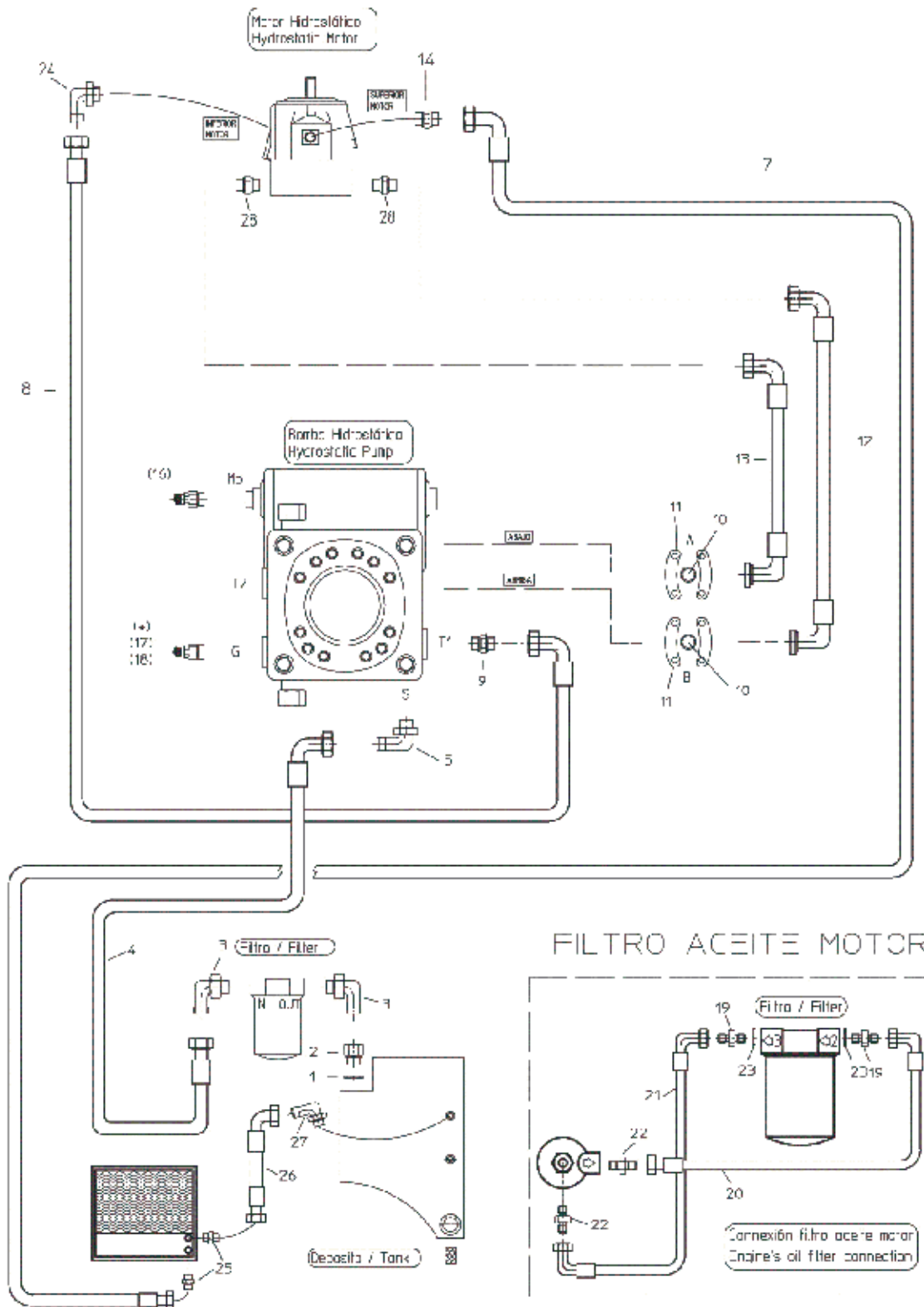


FIGURE	RÉFÉRENCE	NOM	QUANTITÉ
--------	-----------	-----	----------

001	70.10200.00	METAL GASKET BUNA 1`	1
002	70.10201.00	"NIPPLE M/TL 1""GAS X 1""1/4GAS"	1
003	70.10202.00	FITTING C90M/M 11/4G - 11/4G	2
004	70.10264.02		1
005	46.10279.00		1
007	70.10103.00		1
008	70.10104.00		1
009	48.10435.00	FITTING	1
010	70.10211.00	FITTING M/M M30-3/4GAS	4
011	70.10212.00	CLAMP SAE6000 3/4	4
012	70.10101.00		1
013	70.10102.00		1
014	70.10230.00	FITTING	1
015	70.10216.00	"NIPPLE M/M M26X1.5-7/8""UNF"	2
016	70.10218.00	FITTING M/M M16x2-M12x1.5	2
017	70.10218.00	FITTING M/M M16x2-M12x1.5	1
018	70.10217.00	CONTROL NIPPLE M/M M16X2-M10X1	1
019	64.10334.00	NIPPLE M/H	2
020	70.10271.00	HYDRAULIC HOSE R1T3/8 800 TL-C90 M18X1.	1
021	70.10272.00	HYDRAULIC HOSE R1T3/8 970 C90-C90 M18X1	1
022	70.10273.00	RACOR M/M M18X1.5-M16X1.5	2
023	64.10352.00		2
024	20.10268.00	FITTING	1
025	70.10207.00	FITTING	2
026	70.10269.01		1
027	48.10236.00	RACOR C90MO/M -MO3/4"BSP / M30	1
028	70.10207.00	FITTING	2

11. ELECTRIC INSTALLATION

JOYSTICK



FIGURE	RÉFÉRENCE	NOM	QUANTITÉ
001	70.11316.00	JOYSTICK	1
003	10.14329.01	SWITCH OTTO F-N-R	1
006	70.11344.00	JOYSTICK LEVER BODY	1

007	12.11013.02	TOP COVER JOYSTICK	1
008	43.50349.00	DUST PROTECTOR	1
009	10.13154.02	AXIS CIL/ROS 180XD25XM10	1
010	701.10000.66	NUT DIN934 M10x1.5	1

11. ELECTRIC INSTALLATION

JOYSTICK

CHÂSSIS: 85726



FIGURE	RÉFÉRENCE	NOM	QUANTITÉ
001	70.11316.01	JOYSTICK	1
003	10.14329.01	SWITCH OTTO F-N-R	1
006	70.11344.00	JOYSTICK LEVER BODY	1
007	12.11013.02	TOP COVER JOYSTICK	1
008	43.50349.00	DUST PROTECTOR	1
009	10.13154.02	AXIS CIL/ROS 180XD25XM10	1
010	701.10000.66	NUT DIN934 M10x1.5	1

11. ELECTRIC INSTALLATION LIGHTS

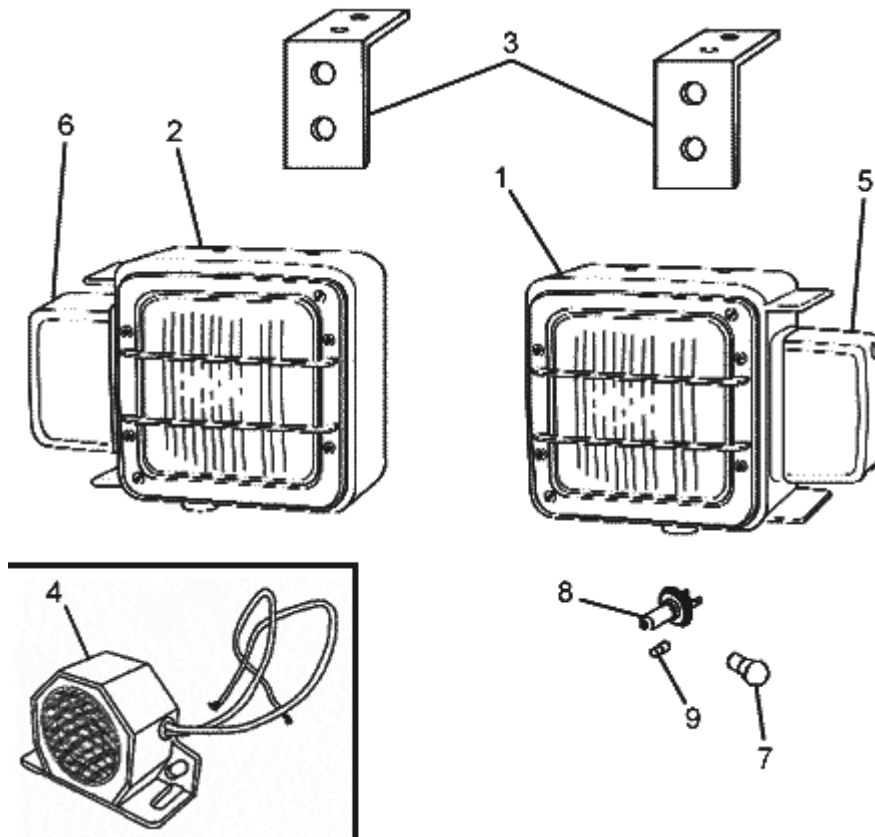


FIGURE	RÉFÉRENCE	NOM	QUANTITÉ
001	70.11320.00	LIGHTING PHARE	1
002	70.11321.00	LIGHTING PHARE	1
003	70.11101.00	SUPPORT	2
004	70.11326.00	REVERSE BREAK ACOUSTIC WARNING	1
005	70.11337.00	RIGHT INTERMITTENT	1
006	70.11338.00	LEFT INTERMITTENT	1
007	43.70336.00	BULB 12V 21W	2
008	43.70337.00	BULB 12V 60/55W	2
009	43.70335.00	BULB 12V 14W	2

11. ELECTRIC INSTALLATION LIGHTING PANEL

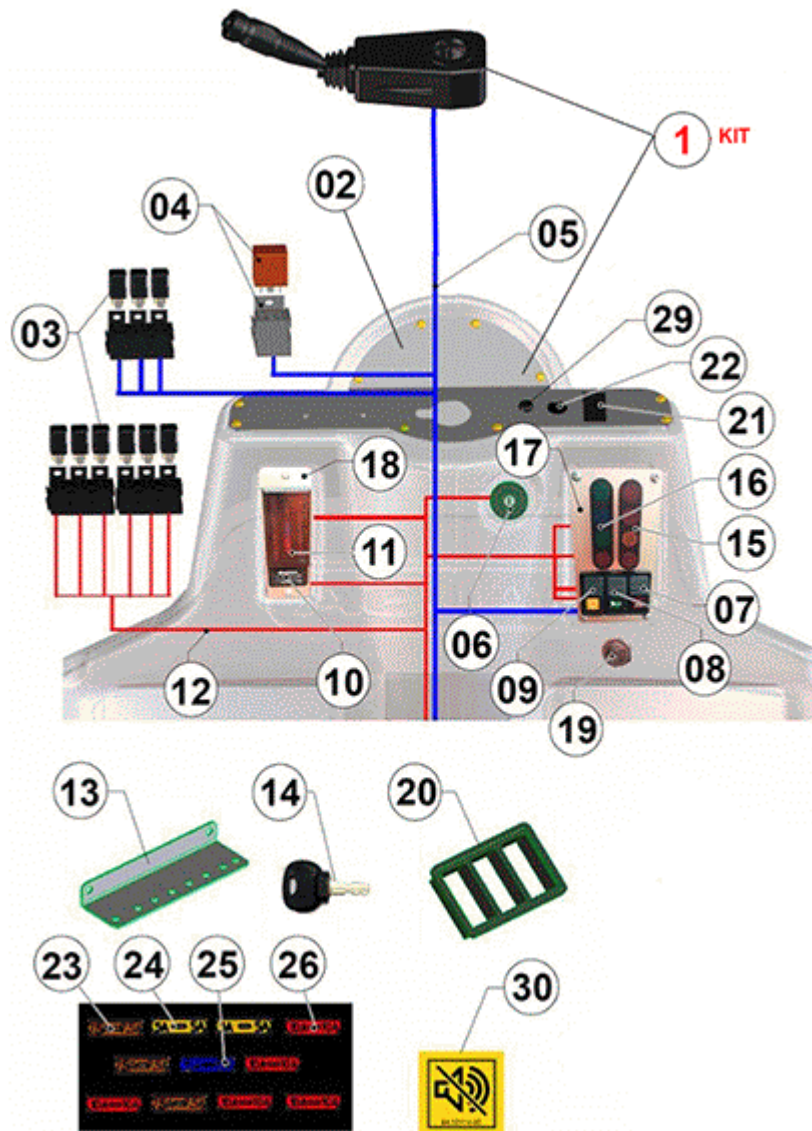


FIGURE	RÉFÉRENCE	NOM	QUANTITÉ
001	70.11323RE02	KIT C / LIGHTS AHA / G AP / G KB 3600	1
003	IM.20026.03	MICRO RELAY WITH DIODE	4
004	IM.20025.00	INTERMITTENCE BOX	1
005	70.11315.00	WIRE HARNESS, LIGHTS PANEL	2
006	IM.20024.00	SWITCH	1
007	IM.20037.00	SWITCH, WARNING	1
008	70.11328.00	horn switch	1
009	70.11327.00	SWITCH ROTARY FARO	1
010	IM.20040.00	HOURMETER	1

011	IM.20022.00	FUSE BOX	1
012	70.11301.00	I/E PANEL AMA	1
013	70.11325.00	SUPPORT, DASHPANEL RELAYS	1
014	IM.20032.00	KEY	1
015	70.11335.00	INDICATOR, BATTERY ALARM	1
016	70.11336.00	INDICATOR, LIGHTS ALARM	1
017	70.11012.00	SUPPORT	1
018	70.11011.00	SUPPORT, FUSES PLATE	1
019	12.11030.00	SOP. FIJACION INTERRUPTOR	1
020	70.11340.00	DIODES CONNECTOR	1

11. ELECTRIC INSTALLATION

LIGHTING PANEL

CHÂSSIS: 71634

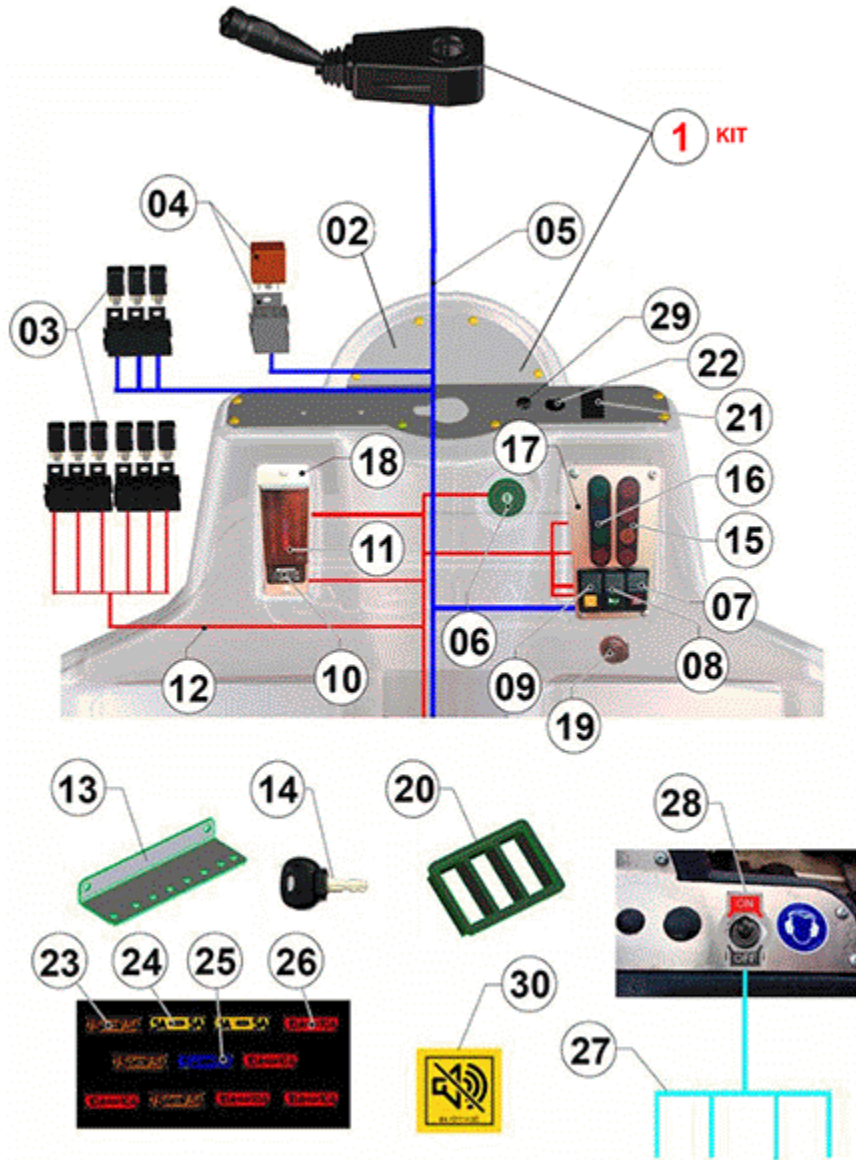


FIGURE	RÉFÉRENCE	NOM	QUANTITÉ
001	70.11323RE02	KIT C / LIGHTS AHA / G AP / G KB 3600	1
003	IM.20026.03	MICRO RELAY WITH DIODE	4
004	IM.20025.00	INTERMITTENCE BOX	1
005	70.11315.00	WIRE HARNESS, LIGHTS PANEL	2
006	IM.20024.00	SWITCH	1
007	IM.20037.00	SWITCH, WARNING	1
008	70.11328.00	horn switch	1
009	70.11327.00	SWITCH ROTARY FARO	1

010	IM.20040.00	HOURMETER	1
011	IM.20022.00	FUSE BOX	1
012	70.11301.00	I/E PANEL AMA	1
013	70.11325.00	SUPPORT, DASHPANEL RELAYS	1
014	IM.20032.00	KEY	1
015	70.11335.00	INDICATOR, BATTERY ALARM	1
016	70.11336.00	INDICATOR, LIGHTS ALARM	1
017	70.11012.00	SUPPORT	1
018	70.11011.00	SUPPORT, FUSES PLATE	1
019	12.11030.00	SOP. FIJACION INTERRUPTOR	1
020	70.11340.00	DIODES CONNECTOR	1
021	12.11024.00	SWITCH CAP	1
022	02.32022.00	CAP	1
023	43.50029.00	FUSIBLE 7.5A	1
024	43.50037.00	FUSE (5A)	2
025	43.50032.00	FUSE 15A	1
026	43.50030.00	FUSE 10A	1
027	64.11021.00	ELECTRIC WIRE	1
028	64.11020.00	SWITCH ON-OFF 1P IP67 10A	1
029	02.32016.00	CAP	1
030	64.12114.00	STIKER	1

COMMENTAIRES

MOD.4230

11. ELECTRIC INSTALLATION

LIGHTING PANEL

CHÂSSIS: 77860

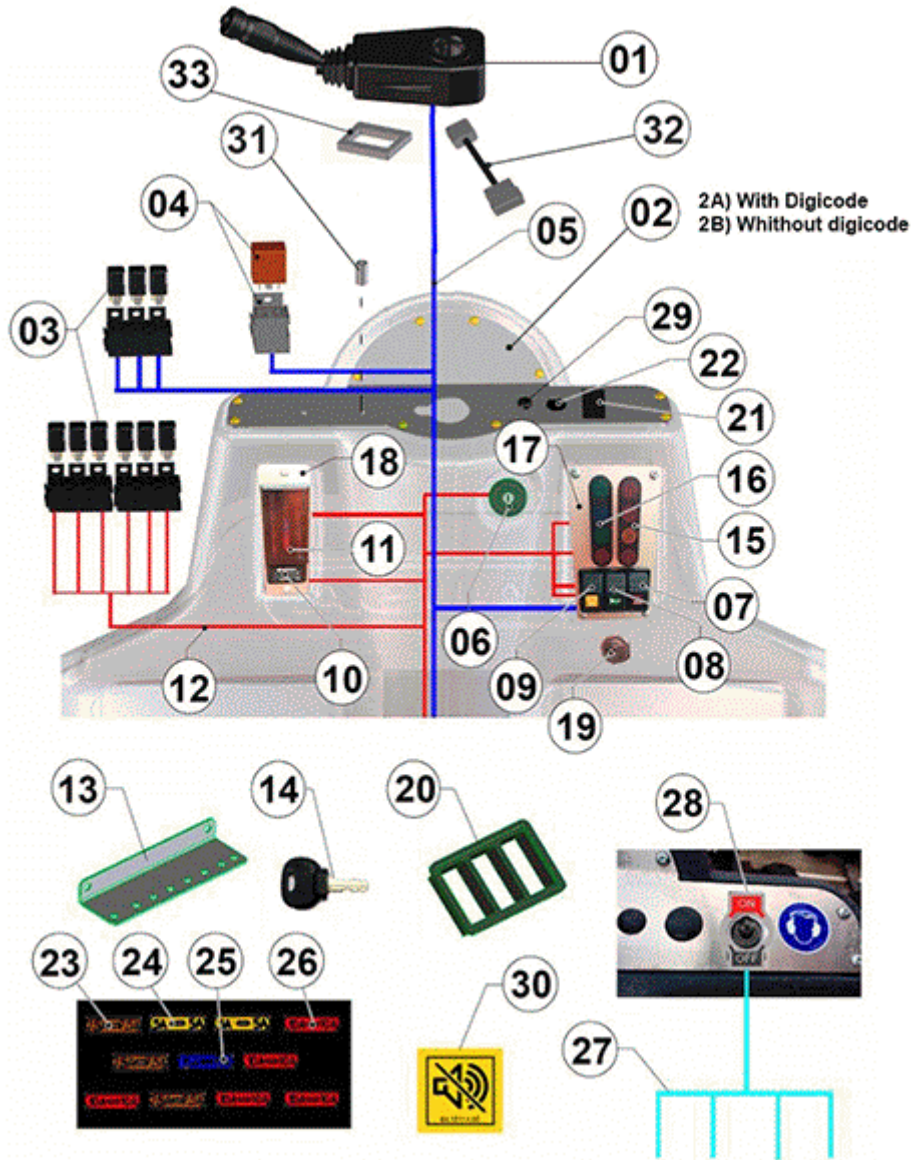


FIGURE	RÉFÉRENCE	NOM	QUANTITÉ
001	70.11323.01	LIGHTS LEVER SWITCH	1
002A	70.11015.01		1
002B	70.11010.03		1
003	IM.20026.03	MICRO RELAY WITH DIODE	4
004	IM.20025.00	INTERMITTENCE BOX	1
005	70.11315.00	WIRE HARNESS, LIGHTS PANEL	2
006	IM.20024.00	SWITCH	1
007	IM.20037.00	SWITCH, WARNING	1

008	70.11328.00	horn switch	1
009	70.11327.00	SWITCH ROTARY FARO	1
010	IM.20040.00	HOURLMETER	1
011	IM.20022.00	FUSE BOX	1
012	70.11301.00	I/E PANEL AMA	1
013	70.11325.00	SUPPORT, DASHPANEL RELAYS	1
014	IM.20032.00	KEY	1
015	70.11335.00	INDICATOR, BATTERY ALARM	1
016	70.11336.00	INDICATOR, LIGHTS ALARM	1
017	70.11012.00	SUPPORT	1
018	70.11011.00	SUPPORT, FUSES PLATE	1
019	12.11030.00	SOP. FIJACION INTERRUPTOR	1
020	12.11030.00	SOP. FIJACION INTERRUPTOR	1
021	12.11024.00	SWITCH CAP	1
022	02.32022.00	CAP	1
023	43.50029.00	FUSIBLE 7.5A	1
024	43.50037.00	FUSE (5A)	2
025	43.50032.00	FUSE 15A	1
026	43.50030.00	FUSE 10A	1
027	64.11021.00	ELECTRIC WIRE	1
028	64.11020.00	SWITCH ON-OFF 1P IP67 10A	1
029	02.32016.00	CAP	1
030	64.12114.00	STIKER	1
031	70.11003.00	MAT. CIL. D15XD6X30	2
032	70.11343.00	SECTION I / E ADAPTER LEVER	1
033	70.11025.00	ADHESIVE FOAM SEALER	1

COMMENTAIRES

mod4782

11. ELECTRIC INSTALLATION LIGHTS OPTION

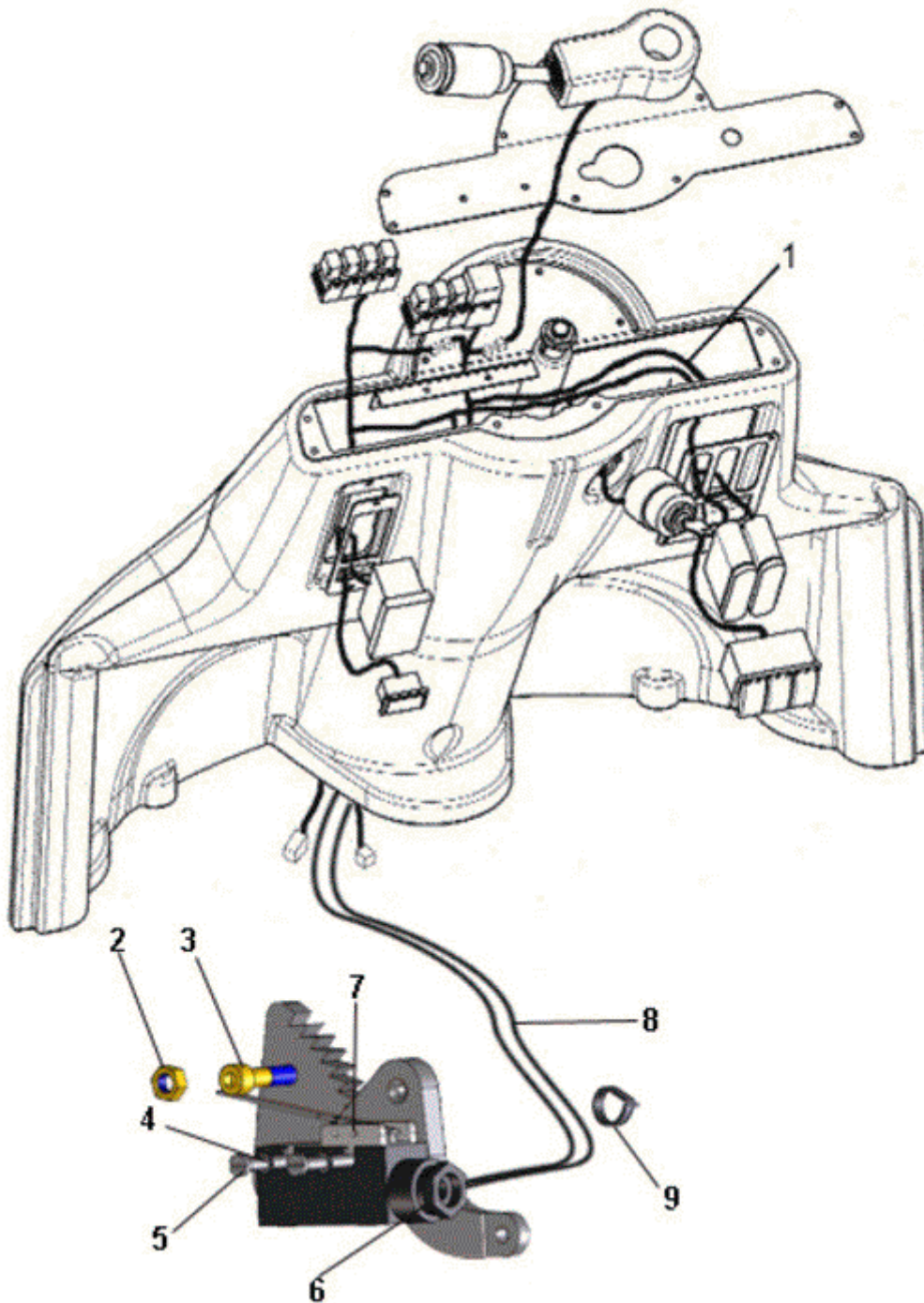


FIGURE	RÉFÉRENCE	NOM	QUANTITÉ
001	70.11315.00	WIRE HARNESS, LIGHTS PANEL	1
002	701.06000.66	NUT DIN934 M6X1	1
003	601.06035.86	SCREW DIN912	1
004	101.04000.66	WASHER DIN125 D4	2

005	615.04030.66	SCREW DIN84	2
006	60.00783.00	OMRON PROTECCION MICRO APB-PG	1
007	60.00782.00	SWITCH	1
008	70.11318.00	E/I LIGHTING	1
009	830.03006.00	CLAMP LOOP	1

11. ELECTRIC INSTALLATION CONNECTION

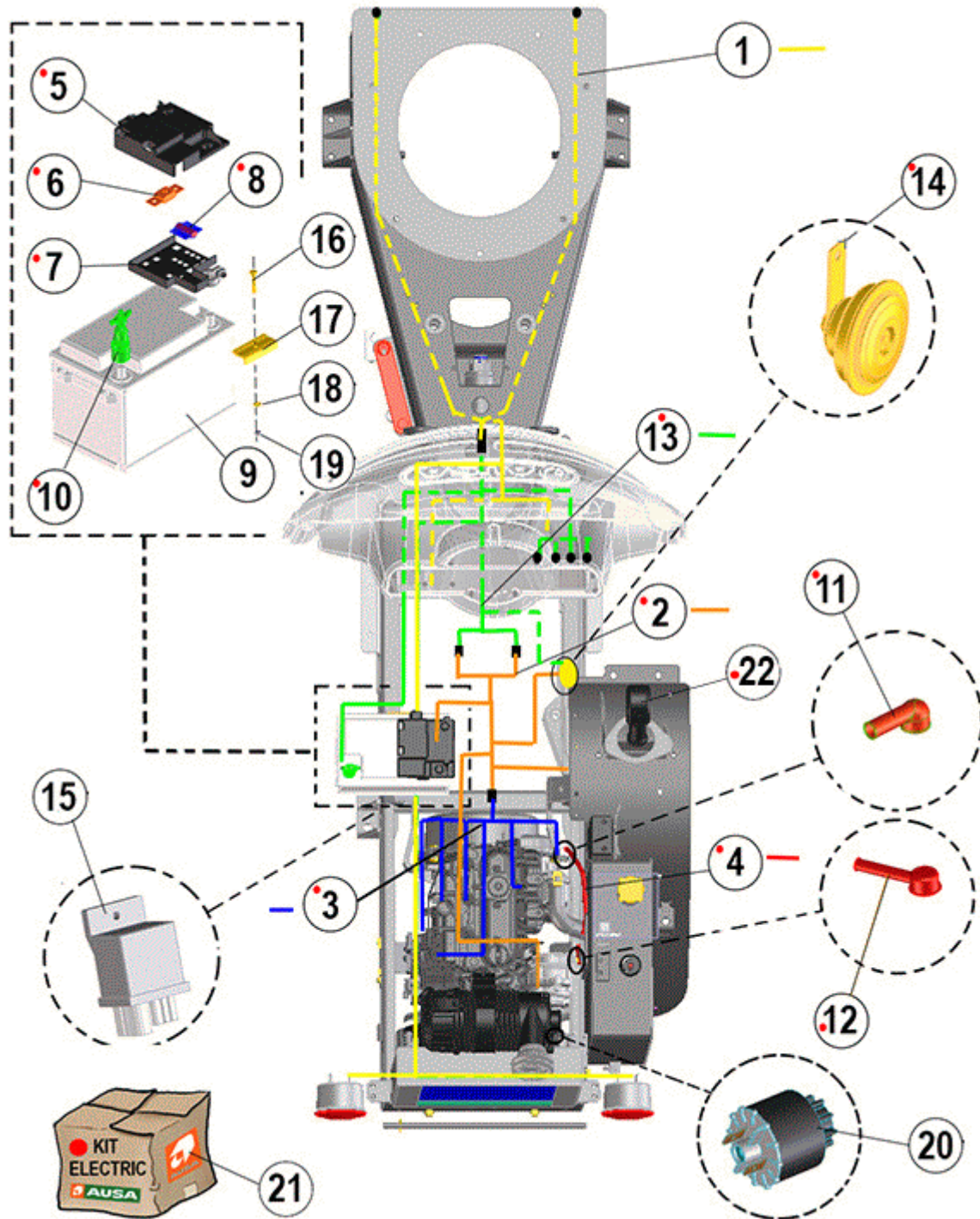


FIGURE	RÉFÉRENCE	NOM	QUANTITÉ
001	70.11315.00	WIRE HARNESS, LIGHTS PANEL	1
002	70.11312.00	ELECTRIC WIRING	1
003	70.11329.00	SECTION ELECTRIC MOTOR KUBOTA	1

004	70.11314.00	ALTERNATOR ELECTRIC CABLE	1
005	20.11014.00	BATTERY FUSEBOX COVER	1
006	20.11010.00	200A PROTECTION FUSE	1
007	20.11009.00	BATTERY FUSE BOX	1
008	20.11011.00	FUSE 50A PROTECTION	3
009	15.01411.00	BATTERY 12VX70AH	1
010	20.11007.00	DISCONNECTOR	1
011	01.00855.00	ACC. FORK	1
012	09.11001.00	PROTECTOR, DYNAMO CABLE	1
013	70.11301.00	I/E PANEL AMA	1
014	70.11309.00	HORN	1
015	10.14289.00	PRE HEATER RELAY	1
016	604.06030.86	SCREW DIN931	1
017	20.11101.00	FIXATION SUPPORT 2X10X70	1
018	105.06000.66	CIR-CLIP DIN7980	1
019	701.06000.66	NUT DIN934 M6X1	1
020	43.50119.00	AIR FILTER INDICATOR	1
021	70.11330.02	ELECTRIC KIT COMPLET	1
022	70.11316.00	JOYSTICK	1

11. ELECTRIC INSTALLATION

CONNECTION

CHÂSSIS: 44540

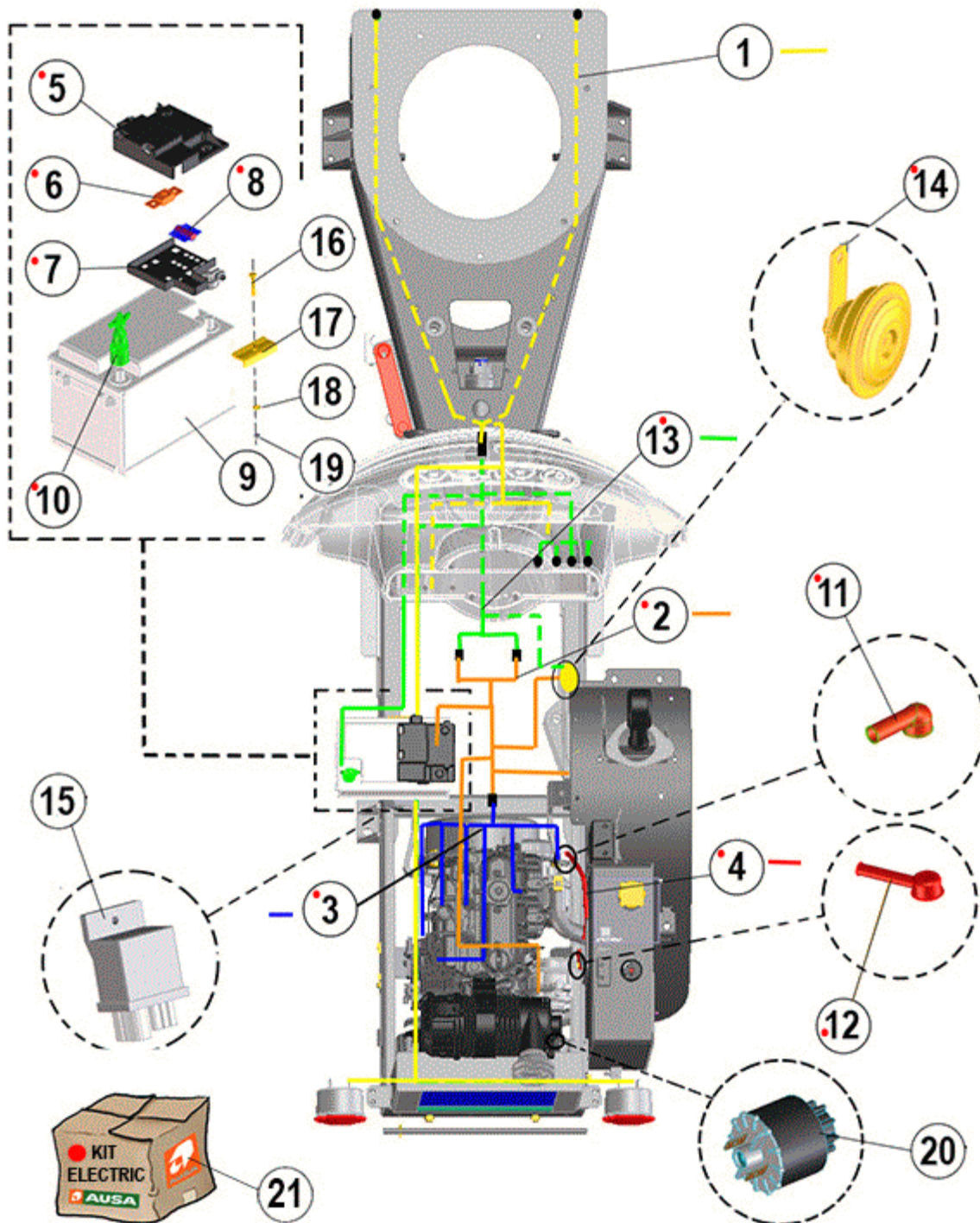


FIGURE	RÉFÉRENCE	NOM	QUANTITÉ
001	70.11315.00	WIRE HARNESS, LIGHTS PANEL	1
002	70.11312.01	SECTION I / E KUB	1
003	70.11329.00	SECTION ELECTRIC MOTOR KUBOTA	1

004	70.11314.00	ALTERNATOR ELECTRIC CABLE	1
005	20.11014.00	BATTERY FUSEBOX COVER	1
006	20.11010.00	200A PROTECTION FUSE	1
007	20.11009.00	BATTERY FUSE BOX	1
008	20.11011.00	FUSE 50A PROTECTION	3
009	15.01411.00	BATTERY 12VX70AH	1
010	20.11007.00	DISCONNECTOR	1
011	01.00855.00	ACC. FORK	1
012	09.11001.00	PROTECTOR, DYNAMO CABLE	1
013	70.11301.00	I/E PANEL AMA	1
014	70.11309.00	HORN	1
015	70.11334.00		1
016	604.06030.86	SCREW DIN931	1
017	20.11101.00	FIXATION SUPPORT 2X10X70	1
018	105.06000.66	CIR-CLIP DIN7980	1
019	701.06000.66	NUT DIN934 M6X1	1
020	43.50119.00	AIR FILTER INDICATOR	1
021	70.11330.02	ELECTRIC KIT COMPLET	1

COMMENTAIRES

MOD.3215 Se segrega el joystick del kit electrico A partir de 707.44540 el 22-09-05 Se elimina el relé precalentamiento motor del kit electrico ya que este reléya viene con el motor. No hay control de bastidor (21-09-05)

11. ELECTRIC INSTALLATION ROTATING BEACON

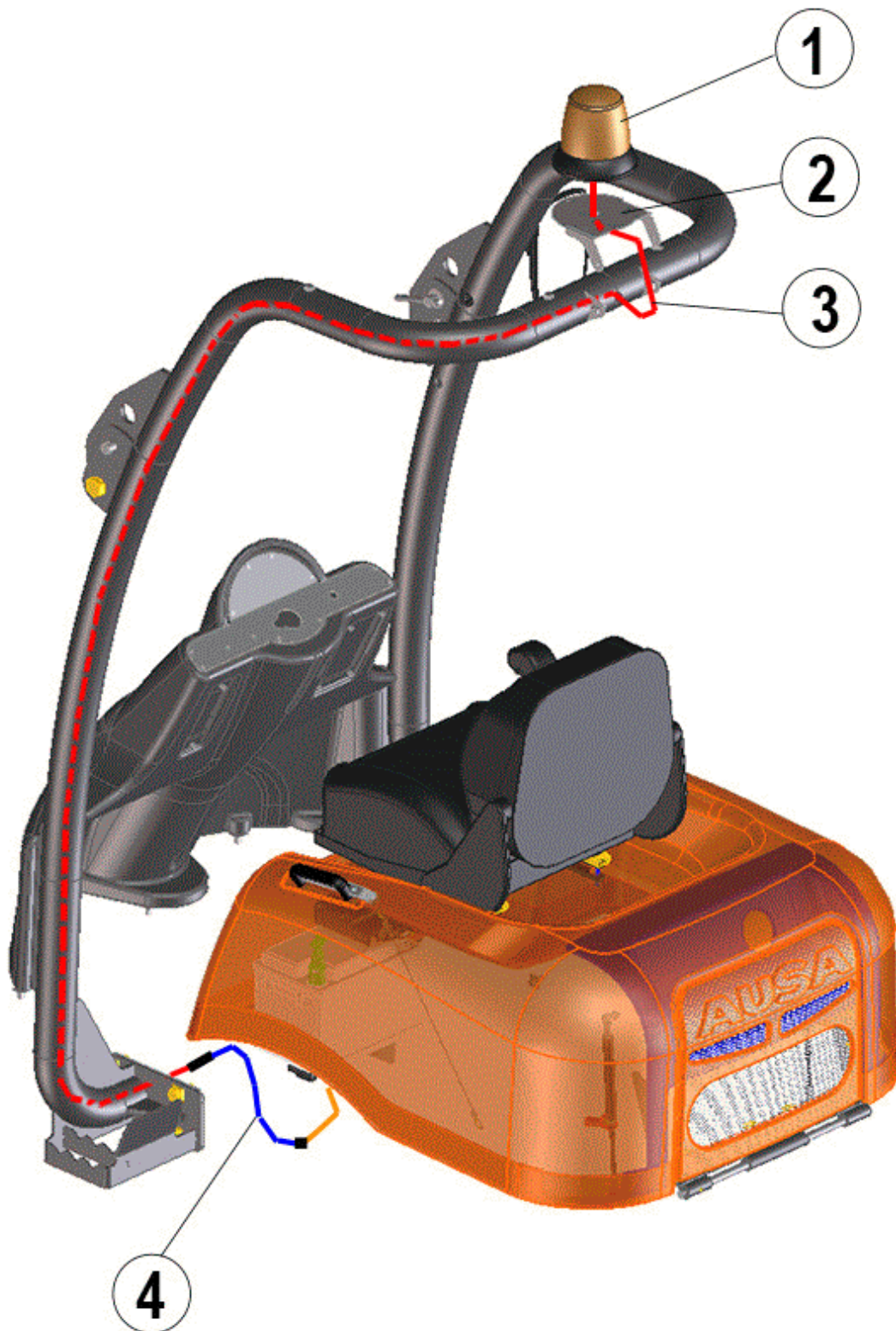


FIGURE	RÉFÉRENCE	NOM	QUANTITÉ
--------	-----------	-----	----------



001	01.00921.02	ROTATING LIGHT BRITAX	1
002	70.08106.01	PIN SUPPORT 170X150X2	1
003	70.11333.00	HEADLIGHT ROTARY ELECTRIC SECTION	1
004	70.11304.00	ELECTRIC WIRING ROTATING BEACON	1

12. FINISHES

STANDARD STICKER (1)

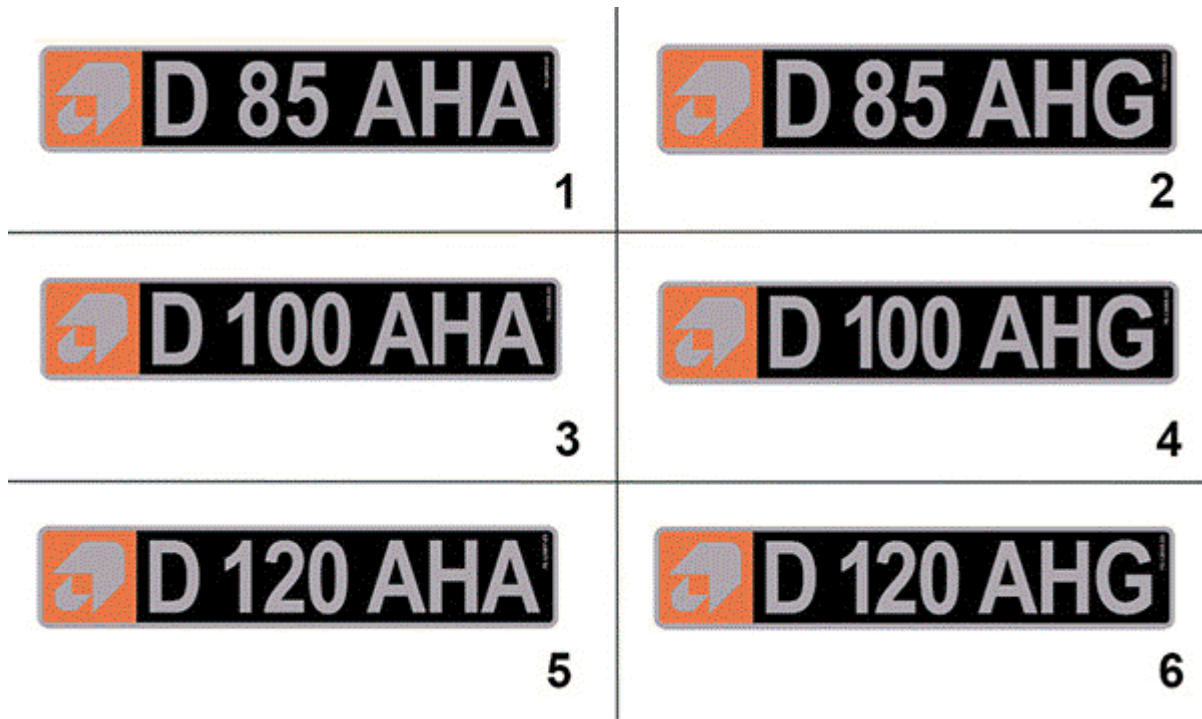


FIGURE	RÉFÉRENCE	NOM	QUANTITÉ
001	70.12005.02	INDICATOR 45X212.6 MODEL D 85 AHA	2
002	70.12008.02	INDICATOR 45X212.6 MODEL D 85 AHG	2
003	70.12006.02	INDICATOR 45X226.5 MODEL D 100 AHA	2
004	70.12009.02	INDICATOR 45X226.5 MODEL D 100 AHG	2
005	70.12007.02	INDICATOR 45X226.5 MODEL D 120 AHA	2
006	70.12010.02	INDICATOR 45X226 MODEL D 120 AHG	2

12. FINISHES STANDARD STICKER (2)

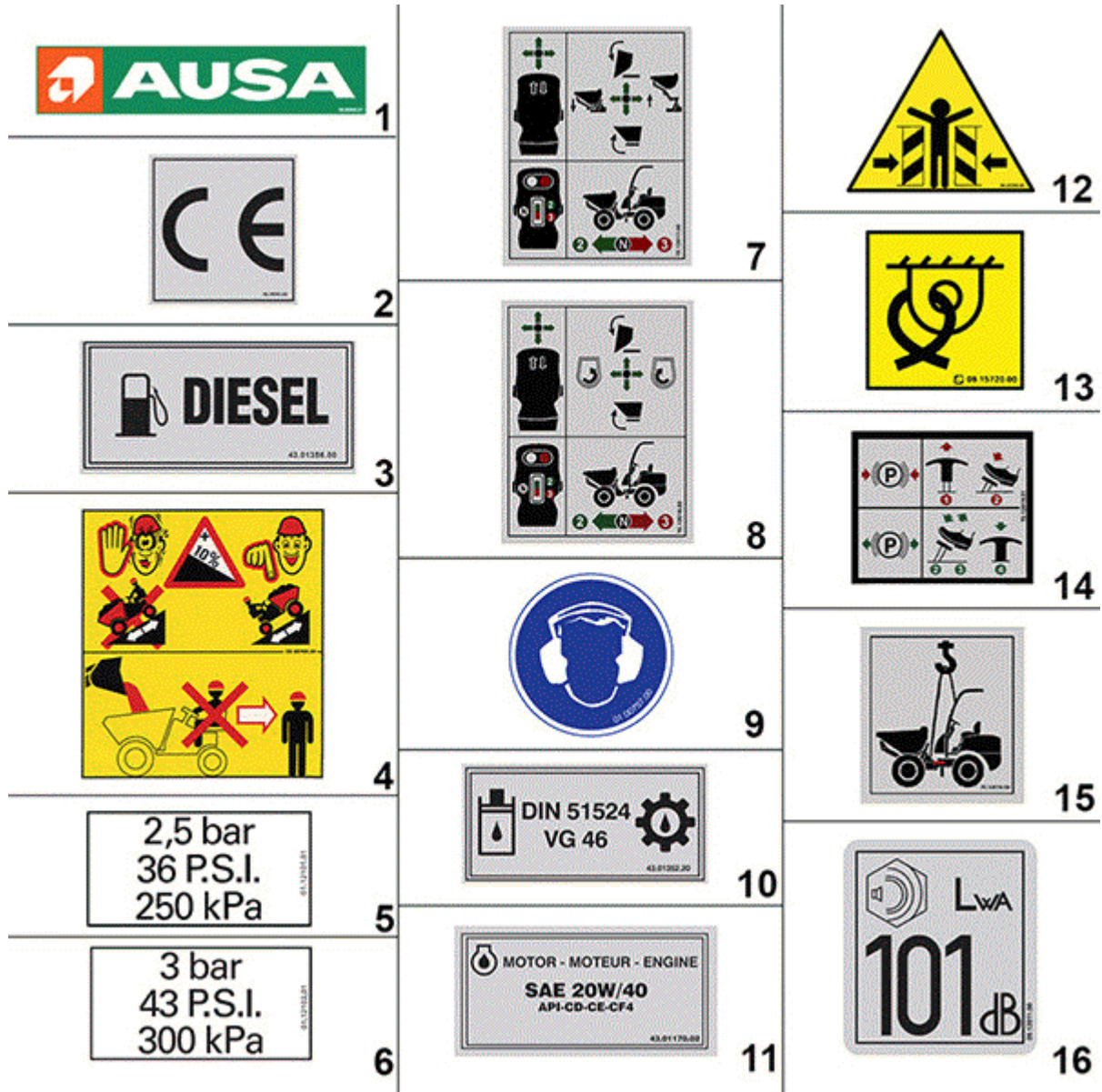


FIGURE	RÉFÉRENCE	NOM	QUANTITÉ
001	09.09902.01	PLATE AD. INDI	2
002	45.19101.00	PLATE AD. INDI	1
003	43.01356.00	PLATE AD. INDI	1
004	09.00769.00	PLATE AD. INDI	1
005	01.12101.01	ADHESIVE PRESSURE 2.5/36/250	4
006	01.12102.01	PRESSURE STICKER 3.5/43/300	4
007	70.12017.00	ADHESIVE AHA/AMA	1
008	70.12018.00	ADHESIVE CONTROLS LEVER	1
009	01.00757.00	PLATE AD. INDI	1



010	43.01352.20	PLATE AD. INDI	1
011	43.01170.02	PLATE AD. INDI	1
012	60.22350.00	PLATE AD. INDI	1
013	09.15720.00	PLATE AD. INDI	4
014	70.12019.01	ADHESIVE PLATE IND. BRAKE	1
015	70.12015.00	PLATE AD. INDI	1
016	09.12011.00	ADHESIVE	1

12. FINISHES

STANDARD STICKER (2)

CHÂSSIS: 80578

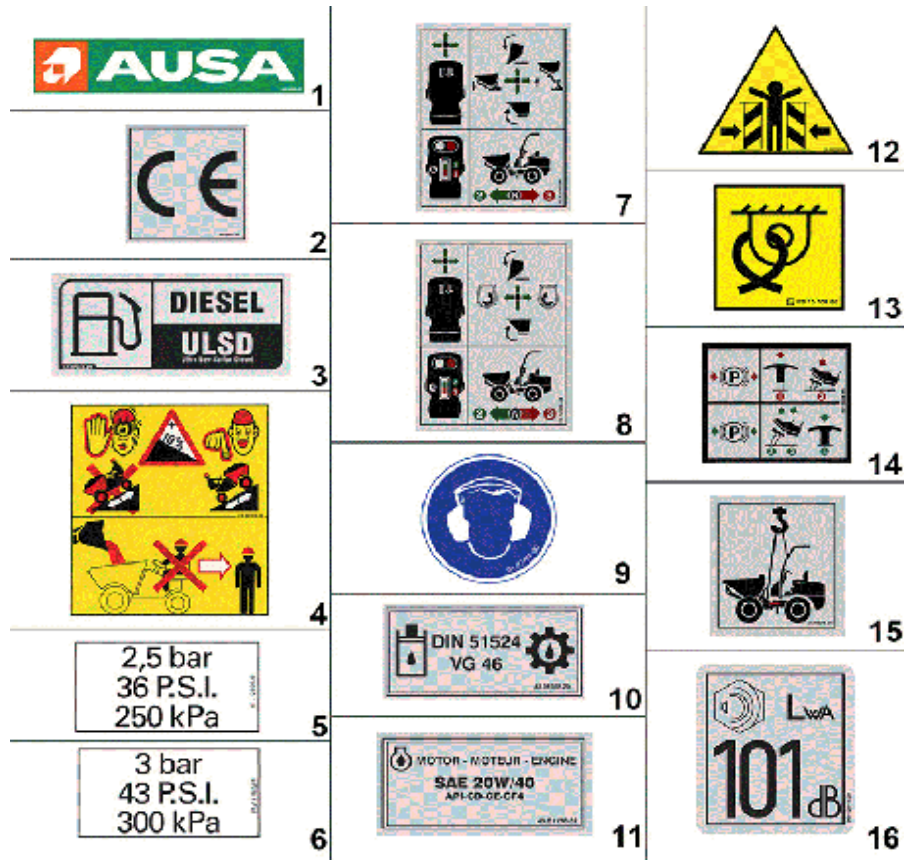
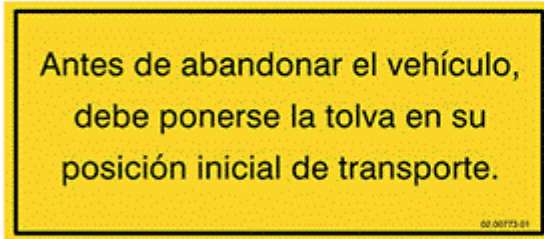


FIGURE	RÉFÉRENCE	NOM	QUANTITÉ
001	09.09902.01	PLATE AD. INDI	2
002	45.19101.00	PLATE AD. INDI	1
003	43.01356.01	ADH. PLATE IND. DIESEL ULSD 90	1
004	09.00769.00	PLATE AD. INDI	1
005	01.12101.01	ADHESIVE PRESSURE 2.5/36/250	4
006	01.12102.01	PRESSURE STICKER 3.5/43/300	4
007	70.12017.00	ADHESIVE AHA/AMA	1
008	70.12018.00	ADHESIVE CONTROLS LEVER	1
009	01.00757.00	PLATE AD. INDI	1
010	43.01352.20	PLATE AD. INDI	1
011	43.01170.02	PLATE AD. INDI	1
012	60.22350.00	PLATE AD. INDI	1
013	09.15720.00	PLATE AD. INDI	4
014	70.12019.01	ADHESIVE PLATE IND. BRAKE	1
015	70.12015.00	PLATE AD. INDI	1
016	09.12011.00	ADHESIVE	1

12. FINISHES STANDARD STICKER (3)



1



2



3



4



5



6

FIGURE	RÉFÉRENCE	NOM	QUANTITÉ
001	14.00775.01	PLATE AD. INDI	2
002	02.00773.01	PLATE AD. INDI	2
003	02.00774.00	PLATE AD. INDI	2
004	02.00766.01	ADH. PLATE IND. 40x80, SPANISH	1
005	01.00779.40	PLATE - CONTACT WITH AUSA	1
006	70.12021.00	PLATE AD. INDI	1

12. FINISHES

STANDARD STICKER (3)

CHÂSSIS: 82543



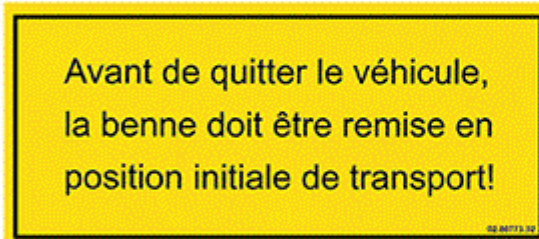
FIGURE	RÉFÉRENCE	NOM	QUANTITÉ
001	14.00775.01	PLATE AD. INDI	2
002	02.00773.01	PLATE AD. INDI	2
003	02.00774.00	PLATE AD. INDI	2
004	02.00766.01	ADH. PLATE IND. 40x80, SPANISH	1
005	01.00779.40	PLATE - CONTACT WITH AUSA	1
006	70.12021.00	PLATE AD. INDI	1
007	70.12100.00	GREASING POINTS STICKER	1
008	70.12110.00	GREASING POINTS STICKER	1

12. FINISHES

STICKER FRANCE



1



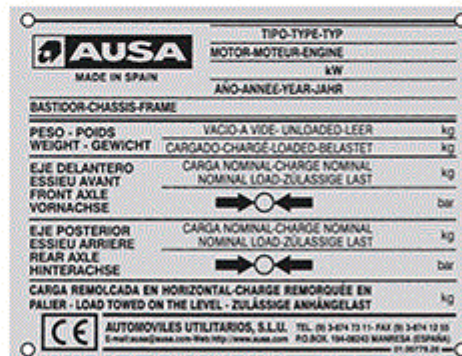
2



3



4



5



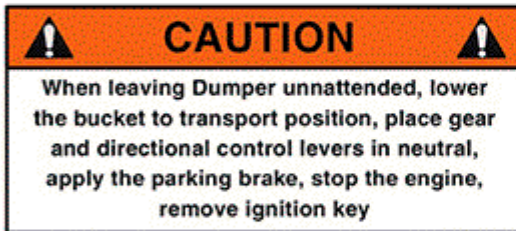
6

FIGURE	RÉFÉRENCE	NOM	QUANTITÉ
001	14.00775.02	PLATE AD. INDI	2
002	02.00773.02	PLATE AD. INDI	2
003	02.00778.00	PLATE AD. INDI	2
004	02.00766.02	ADHESIVE 40X80 FRENCH	1
005	01.00779.41	PLATE - CONTACT WITH AUSA	1
006	70.12021.00	PLATE AD. INDI	1

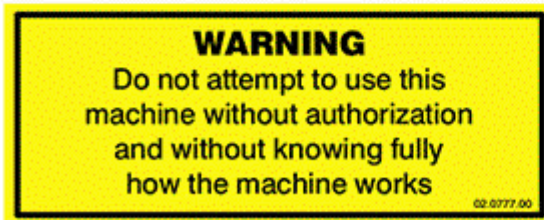
12. FINISHES STICKER ENGLAND



1



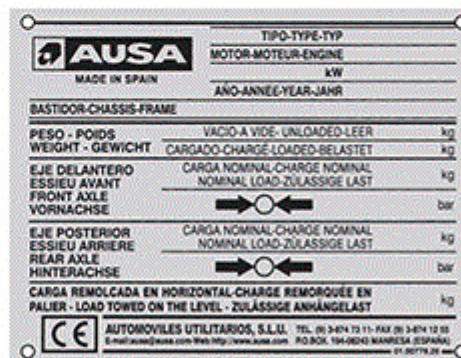
2



3



4



5



6

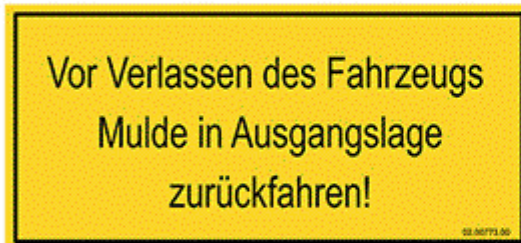
FIGURE	RÉFÉRENCE	NOM	QUANTITÉ
001	14.00775.03	PLATE AD. INDI	2
002	02.00773.03	PLATE AD. INDI. 80x180 ENG	2
003	02.00777.00	PLATE AD. INDI	2
004	02.00766.00	INDICATIVE STICKER 40x80 USA DO NOT TOUCH	1
005	70.12021.00	PLATE AD. INDI	1
006	01.00779.41	PLATE - CONTACT WITH AUSA	1

12. FINISHES

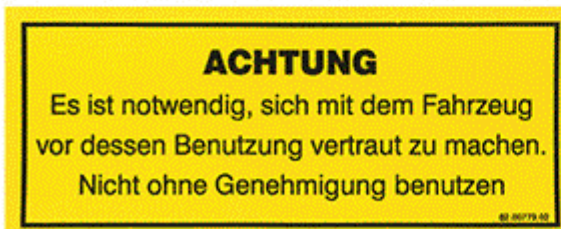
GERMAN STICKERS



1



2



3



4



5



6

FIGURE	RÉFÉRENCE	NOM	QUANTITÉ
001	14.00775.00	PLATE AD. INDI	2
002	02.00773.00	PLATE AD. INDI ALEMAN	2
003	02.00779.02	PLATE AD. INDI	2
004	02.00766.03	ADHESIVE 40X80 GERMAN	1
005	01.00779.41	PLATE - CONTACT WITH AUSA	1
006	70.12021.00	PLATE AD. INDI	1

12. FINISHES

LABEL KILOUTOU D100 AHA/AHG FRANCE/SPAIN

1



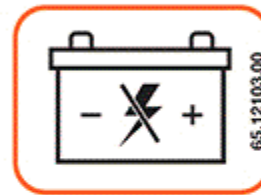
2



3



4



5



6



7



FIGURE	RÉFÉRENCE	NOM	QUANTITÉ
001	65.12102.00	STICKER ARCH FOLDED POSITION	1
002	70.12120.00	STICKER LIFT POINT	4
003	65.12104.00	STICKER ENGINE SHUTDOWN	1
004	65.12103.00	STICKER DISCONNECT	1
005	70.12111.00	STICKER 1000KG MAX	1
006	46.11720.00	STICKER 25KM/H	1
007	09.15720.00	PLATE AD. INDI	1

12. FINISHES

STICKER KILOUTOU D120 AHA SPAIN

1



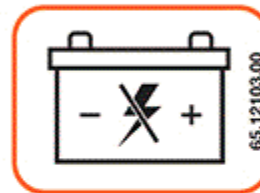
2



3



4



5



6



7



FIGURE	RÉFÉRENCE	NOM	QUANTITÉ
001	65.12102.00	STICKER ARCH FOLDED POSITION	1
002	70.12120.00	STICKER LIFT POINT	4
003	65.12104.00	STICKER ENGINE SHUTDOWN	1
004	65.12103.00	STICKER DISCONNECT	1
005	70.12112.00	STICKER 1200KG MAX	1
006	46.11720.00	STICKER 25KM/H	1
007	09.15720.00	PLATE AD. INDI	1

13. ACCESSOIRES

ENGINE COVER 2

CHÂSSIS: 82271

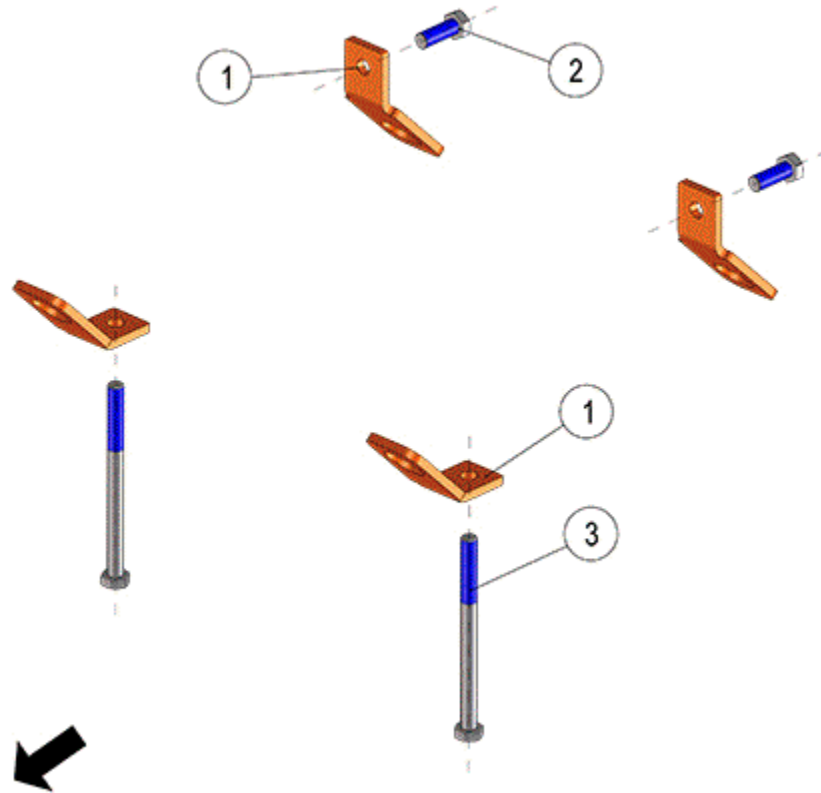


FIGURE	RÉFÉRENCE	NOM	QUANTITÉ
001	70.04451.00	FIXING SUPPORT	4
002	603.14040.86	SCREW DIN933 M14x40	2
003	603.14180.86	SCREW	2

14. OPTION

DRIVER SEAT

CHÂSSIS: 83437



FIGURE	RÉFÉRENCE	NOM	QUANTITÉ
001	43.00790.04	DRIVER SEAT	1
002	13.08356.00	ORANGE SEAT BELT	1

INDEX

00. MAINTENANCE

Filters kit 2

02. ENGINE

MOTOR 3

MOTOR - 41571 5

MOTOR - 61317 6

MOTOR - 62328 7

MOTOR - 64671 8

MOTOR - 80578 9

Pump coupling 10

Pump coupling - 41571 11

Pump coupling - 80578 12

EXHAUST PIPE 13

EXHAUST PIPE - 41571 14

EXHAUST PIPE - 54768 15

AIR FILTER 16

AIR FILTER - 69253 17

AIR FILTER - 72881 18

Accelerator pedal 19

Accelerator pedal - 41571 20

radiator 21

radiator - 41571 22

Supports 23

Supports - 41571 24

Supports - 50210 25

Supports - 53952 26

Supports - 59872 27

03. TRANSMISSION

GEARBOX 28

GEARBOX - 41356 29

GEARBOX - 51715 30

GEARBOX - 81727 31

TRANSMISSION

CAJA REDUCTORA & JUNTA CARDÁN	33
-------------------------------	----

03. TRANSMISSION

Hydrostatic transmission	34
Hydrostatic transmission - 84146	35
UNIVERSAL JOINT	36

Transmission (Front axle)

Front axle	37
Front axle - 43404	38
Front axle - 44031	39
Differential	40
Differential - 67456	42
Brake	44
Wheel hub (Part 1)	45
Wheel hub (Part 2)	46

Transmission (Rear axle)

Rear axle	47
Rear axle - 43404	48
Rear axle - 44031	49
Differential	50
Differential - 67456	52
Differential - 70801	54
Wheel hub (Part 1)	56
Wheel hub	57
Wheel hub - 43404	58
Wheel hub (Part 2)	59
Wheel hub (Part 2) - 44031	60

04. CHASSIS

Chassis	61
Chassis - 49610	62
Chassis - 59872	63
Chassis axle	64
Chassis axle - 47838	65
Chassis axle - 52508	66
Chassis axle - 84612	67

Surely antiturn 68

05. BRAKE ACTIVATION

BRAKE (AHA) 69

BRAKE (AHA) - 50643 71

BRAKE (AHA) - 72067 73

BRAKE (AHG) 74

BRAKE (AHG) - 53127 76

BRAKE (AHG) - 72067 78

06. STEERING

Drive Pinion 79

Drive Pinion - 63390 80

Drive Pinion - 79164 81

07. WHEELS

D 85 AHG/A 82

D 100 AHG/A 83

D 120 AHG/A 84

D 120 AHG/A - 75282 85

D 100 AHG/A ENGLAND 86

D 100 AHG/A ENGLAND - 73981 87

08. BODYWORK

Sheets 88

Sheets - 37786 89

Sheets - 38156 90

Sheets - 38728 91

Sheets - 41571 92

Sheets - 44853 93

Sheets - 59872 94

Sheets - 72629 95

LIGHTING EQUIPMENT (PART 2) 96

LIGHTING EQUIPMENT (PART 2) - 38156 98

LIGHTING EQUIPMENT (PART 2) - 41571 100

LIGHTING EQUIPMENT (PART 2) - 60931 102

LIGHTING EQUIPMENT (PART 2) - 82543 104

LIGHTING EQUIPMENT (PART 2) - 83436 105

Engine cover	106
Counterweight and rear lights	107
Seat	108
	109
SLIP ADHESIVE	110

09. MACHINE FUNCTIONS IMPLEMENTS

Lifting system	111
Lifting system - 55114	113
System turn	115

10. HYDRAULIC INSTALLATION

Oil tank	117
Oil strainer	118
Distributor	119
SERVICE DIAGRAM (D85AHA/G)	120
SERVICE DIAGRAM (D85AHA/G) - 58194	121
SERVICE DIAGRAM (D100AHA/G)	123
SERVICE DIAGRAM (D100AHA/G) - 58194	124
SERVICE DIAGRAM (D100AHA/G) - 79314	126
SERVICE DIAGRAM (D100AHA/G) - 84146	128
SERVICE DIAGRAM (D120AHA/G)	130
SERVICE DIAGRAM (D120AHA/G) - 58194	132
SERVICE DIAGRAM (D120AHA/G) - 79314	134
Transmission	136
TRANSMISSION DIAGRAM (D100AHA/G)	138
TRANSMISSION DIAGRAM (D100AHA/G) - 84146	139

11. ELECTRIC INSTALLATION

JOYSTICK	140
JOYSTICK - 85726	141
Lights	142
Lighting Panel	143
Lighting Panel - 71634	144
Lighting Panel - 77860	145
Lights option	146
Connection	147
Connection - 44540	148
Rotating Beacon	149

12. FINISHES

STANDARD STICKER (1)	150
STANDARD STICKER (2)	151
STANDARD STICKER (2) - 80578	152
STANDARD STICKER (3)	153
STANDARD STICKER (3) - 82543	154
STICKER FRANCE	155
STICKER ENGLAND	156
GERMAN STICKERS	157
LABEL KILOUTOU D100 AHA/AHG FRANCE/SPAIN	158
STICKER KILOUTOU D120 AHA SPAIN	159

13. ACCESSOIRES

Engine cover 2 - 82271	160
------------------------	-----

14. OPTION

DRIVER SEAT - 83437	161
---------------------	-----